

Spare parts list

(5.972-551.0) Spare parts list HD 3.0/20 C Ea

DE HINWEISE

Weitere Sprachen:

Diese Ersatzteilliste ist in weiteren Sprachen erhältlich. Sie erhalten diese unter www.kaercher.com im Bereich Service.

Die Schreibweise der Teilenummer, z.B. 75456380, entspricht der Teilenummer 7.545-638.0.

Mengenangaben:

Die Mengenangaben in der Ersatzteilliste entsprechen den in der Baugruppe verbauten Stückzahlen der Bauteile.

Meterware:

Ersatzteile welche als Meterware geliefert werden sind auf Einbaulänge selbst zu kürzen. Die Stückzahlen sind als Mindestbestellmenge =1m angegeben und müssen je nach Bedarf auf weitere volle Meterzahlen erhöht werden.

Versionen/ Werknummern:

Sind Versionen oder Werknummern in der Ersatzteilliste angegeben, ist anhand dieser vor Bestellung zu prüfen, welches Bauteil für ihr Gerät verwendet werden muss.

Lackierte Teile:

Bei Bestellungen von lackierten Teilen welche in der Ersatzteilliste nicht in verschiedenen Farben ausgewiesen sind, ist zusätzlich die Farbnummer oder Farbe mit anzugeben.

Technische Änderungen:

Technische Änderungen sowie das Recht der ausschließlichen Auswertung unseres geistigen Eigentums behalten wir uns vor.

EN INSTRUCTIONS

Other languages:

This list of spare parts is also available in other languages. You can get this list from www.kaercher.com in the Service division.

The designation of the part number e.g. 75456380 is equal to 7.545-638.0.

Quantity details:

The quantity details in the spare parts list correspond to the number of pieces of the component installed in the assembly group.

Piece goods:

Spare parts that are sold as piece goods are to be cut to the desired length. The quantities have been indicated as minimum order quantity =1m and must be rounded off to the full meter figure depending on your requirements.

Version/ Plant numbers:

If version or plant numbers are mentioned in the spare parts list, then use the same to check before ordering which spare part needs to be used for your appliance.

Painted parts:

While ordering painted parts that are not mentioned in the spare parts list in their colour variations, please mention the colour number or the colour you require.

Technical changes:

We reserve the right to make technical changes as well as the right to exclusive use of our intellectual property.

FR REMARQUES

Autres langues:

Cette liste de pièces de rechange est disponible en autres langues. Cela est disponible sous www.kaercher.com dans le menu Service.

La désignation du numéro de pièce, par ex. 75456380, correspond au numéro de pièce 7.545-638.0.

Indications de quantité:

Les indications de quantité dans la liste de pièces de rechange correspondre aux nombres de pièces des composant utilisées dans la construction.

Matériel au mètre:

Les pièces de rechange qui sont livrées au mètre doivent être raccourcies à longueur souhaitée par l'acheteur même. Les nombres des pièces sont indiquées en quantité de commande minimale = 1m et doivent être augmentés selon le besoin à une chiffre de mètre complète.

Versions/ Numéros d'usine:

Lorsqu'il sont indiquées des versions ou des numéros d'usine dans la liste de pièces de rechange, vous devez vérifier que composant doit être utilisé pour votre appareil.

Pièces laquées:

Pour commander des pièces laquées, où les différentes couleurs ne sont pas indiquées dans la liste des pièces de rechange, vous devez indiquer en plus le numéro de la couleur ou seulement la couleur.

Modifications techniques:

Nous nous réservons la possibilité des modifications techniques ainsi le droit d'exploitation exclusive de notre propriété intellectuelle.

IT AVVERTENZE

Altre lingue:

Il presente elenco di parti di ricambio è disponibile sul nostro sito Web anche in altre lingue: sotto www.kaercher.com alla voce "Service".

L'indicazione del codice pezzo, ad es. 75456380, corrisponde al codice pezzo 7.545-638.0

Indicazioni di quantità:

Le indicazioni di quantità riportate dall'elenco "parti di ricambio" corrispondono al numero delle singole componenti contenute nella rispettiva unità.

Merce a metro:

Le parti di ricambio fornite come "merce a metro" devono venire in seguito accorciate alla lunghezza necessaria per il montaggio. La quantità unitaria è indicata come "quantità minima di ordinazione = 1m" e deve all'occorrenza venire moltiplicata per il numero intero di metri necessari.

Versioni / Numeri di fabbricazione:

Quando l'elenco "parti di ricambio" riporta diverse versioni o numeri di fabbricazione, confrontare la versione o il numero di fabbricazione del ricambio desiderato con quelle/i presenti nell'elenco e indicarla/o al momento dell'ordinazione.

Parti di ricambio verniciate:

Nel caso di ricambi verniciati, se l'elenco parti di ricambio non ne riporta espressamente i diversi colori, al momento dell'ordinazione è necessario indicare anche il colore o il numero del colore desiderato.

Modifiche tecniche:

Ci riserviamo il diritto di apportare modifiche tecniche così come il diritto di utilizzo esclusivo della nostra proprietà intellettuale.

ES INDICACIONES

Otros idiomas:

La lista de piezas de repuesto se puede adquirir en otros idiomas. La puede adquirir en www.kaercher.com en el área de servicios.

La notación de los números de las piezas, p.ej. 75456380 corresponde al número de pieza 7.545-638.0.

Cantidades:

Las indicaciones de cantidades de la lista de piezas de repuesto corresponden al número de piezas montadas en el componente.

Mercancía por metros:

Las piezas de repuesto que se suministran por metros se pueden cortar al largo deseado. La unidad mínima de pedido es de = 1 m y el número de metros completos se puede aumentar según necesidad.

Versiones/números de fábrica:

Si se indica la versión o número de fábrica en la lista de piezas de repuesto, se debe comprobar en ella la pieza a usar para su aparato antes de realizar el pedido.

Piezas lacadas:

Al realizar pedidos de piezas lacadas que no estén indicadas en los diferentes colores en la lista de piezas de repuesto, se debe indicar también la referencia del color o el color.

Modificaciones técnicas:

Reservados los derechos de realizar modificaciones técnicas y aprovechar nuestra propiedad intelectual.

PL WSKAZÓWKI

Pozostałe języki:

Ta lista części zamiennych jest dostępna w także w innych językach. Mogą ją Państwo pobrać ze strony www.kaercher.com w dziale Serwis.

Sposób zapisywania numeru części, np. 75456380, odpowiada numerowi części 7.545-638.0.

Dane ilości:

Dane ilości podane w liście części zamiennych odpowiadają liczbie sztuk podzespołów tworzących dany moduł.

Towar sprzedawany na metry:

Części zamienne dostarczane jako towar sprzedawany na metry po zamontowaniu należy samodzielnie skrócić do potrzebnej długości. Liczba sztuk podana jest jako minimalna ilość zamówienia =1m i w zależności od potrzeb zwiększa się ją o kolejne pełne metry.

Wersje/ Numer zakładu:

Jeżeli w liście części zamiennych podane są wersje lub numery zakładu, przed zamówieniem na ich podstawie należy sprawdzić, który podzespół stosuje się w Państwa urządzeniu.

Części lakierowane:

W przypadku zamówień części lakierowanych, które w liście części zamiennych nie podano w wielu kolorach, należy dodatkowo zaznaczyć nr koloru lub kolor.

Zmiany techniczne:

Zastrzegamy sobie prawo do zmian technicznych oraz wyłącznego wykorzystywania naszej własności intelektualnej.

RU УКАЗАНИЯ:

Другие языки:

Данный список запасных частей также доступен на других языках. Вы найдете его на сайте www.kaercher.com в разделе Service
Маркировка номера детали, например, 75456380, соответствует номеру детали 7.545-638.0.

Указание количества:

Количественные данные в списке запасных частей соответствуют числу компонентов, входящих в состав узлов.

Товар, продаваемый на метры:

Запасные части, продающиеся на метры, необходимо обрезать до нужной длины. Число изделий указано в виде минимального объема заказа = 1м и их количество можно округлить до требуемого по мере необходимости.

Варианты исполнения/заводские номера:

Если варианты исполнения или заводские номера указаны в списке запасных частей, то перед заказом необходимо проверить, какая деталь подходит для вашего устройства.

Лакированные детали:

При заказе лакированных деталей, варианты расцветки которых не указаны в списке запасных частей, необходимо дополнительно указать номер цвета или необходимый для вас цвет.

Технические изменения:

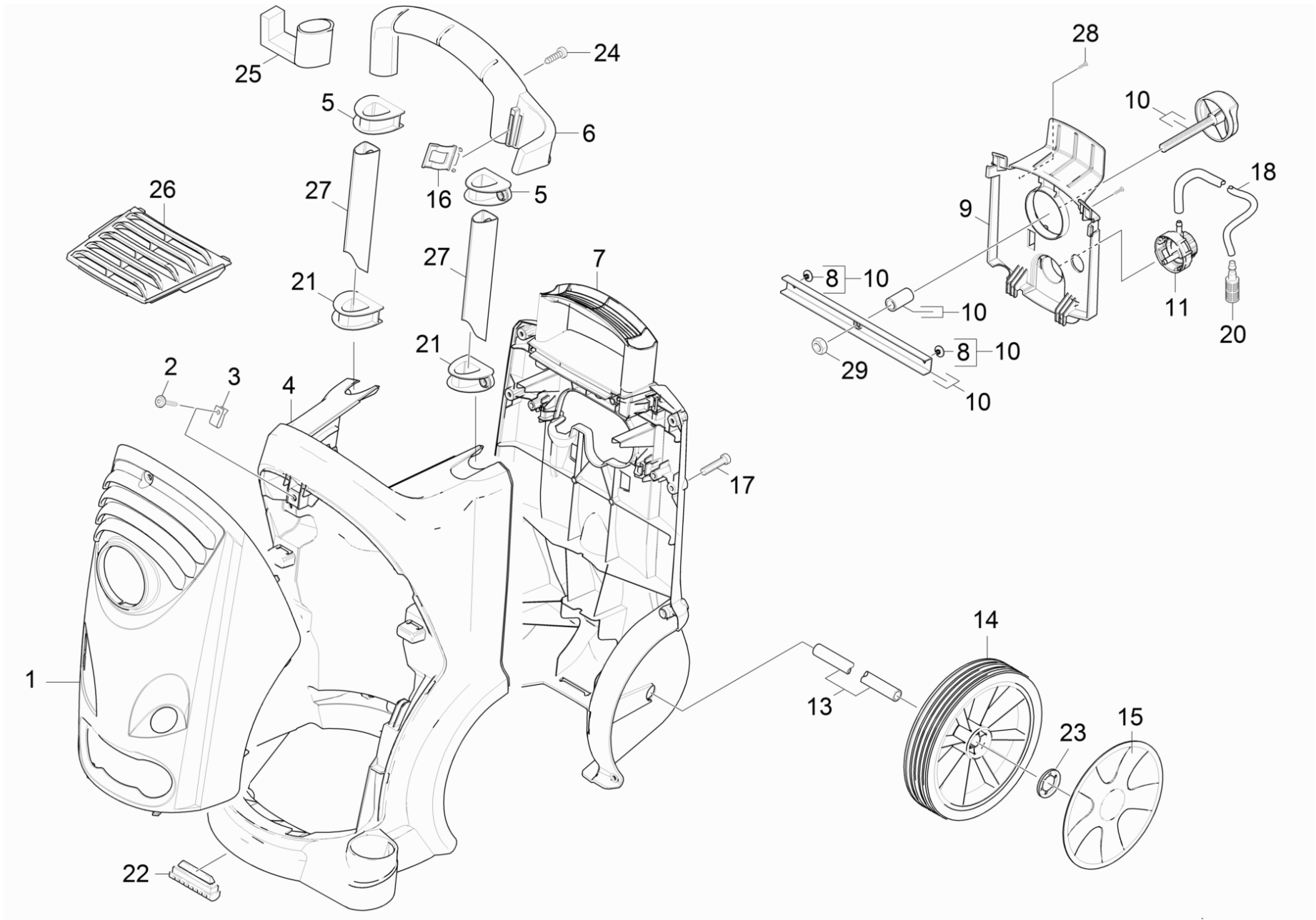
Мы оставляем за собой право на технические изменения, а также право на исключительное использование нашей интеллектуальной собственности.

Table of contents

Order instructions	2
Spare parts list HD 3.0/20 C Ea (5.972-551.0)	6
10 Housing	7
20 Pump set	9
21 Cylinder head	10
4 Valve (3 Stück) (2.884-916.0)	12
11 Drain plug only for replacement (4.132-007.0)	14
20 Valve pin complete (4.584-022.0)	16
21 Nozzle insert only for replacement (4.769-034.0)	18
31 Spindle complete (4.291-014.0)	20
100 Pump set HD 6/15 C (2.885-242.0)	22
1 Valve (3 Stück) (2.884-916.0)	23
14 Drain plug only for replacement (4.132-007.0)	25
22 Thrust guidance	27
30 Motor	29
40 Accessories	31
41 Hand trigger gun	32
1 HAND TRIGGER GUN EASY PRESS (4.775-463.0)	34
9002 Lever complete (4.481-209.0)	36
4 Lever complete (4.481-209.0)	38
42 High pressure hose	40
43 Jet pipe	42
1 Jet pipe packaged only for replacement (4.760-663.0)	44
44 Triple jet nozzle	46
Triple jet nozzle only for replacement 0 (4.767-152.0)	48
50 Electric box	50

Spare parts list HD 3.0/20 C Ea (5.972-551.0)

POS	Description	Quantity	Unit
10	Housing	1.000	ST
20	Pump set	1.000	ST
30	Motor	1.000	ST
40	Accessories	1.000	ST
50	Electric box	1.000	ST

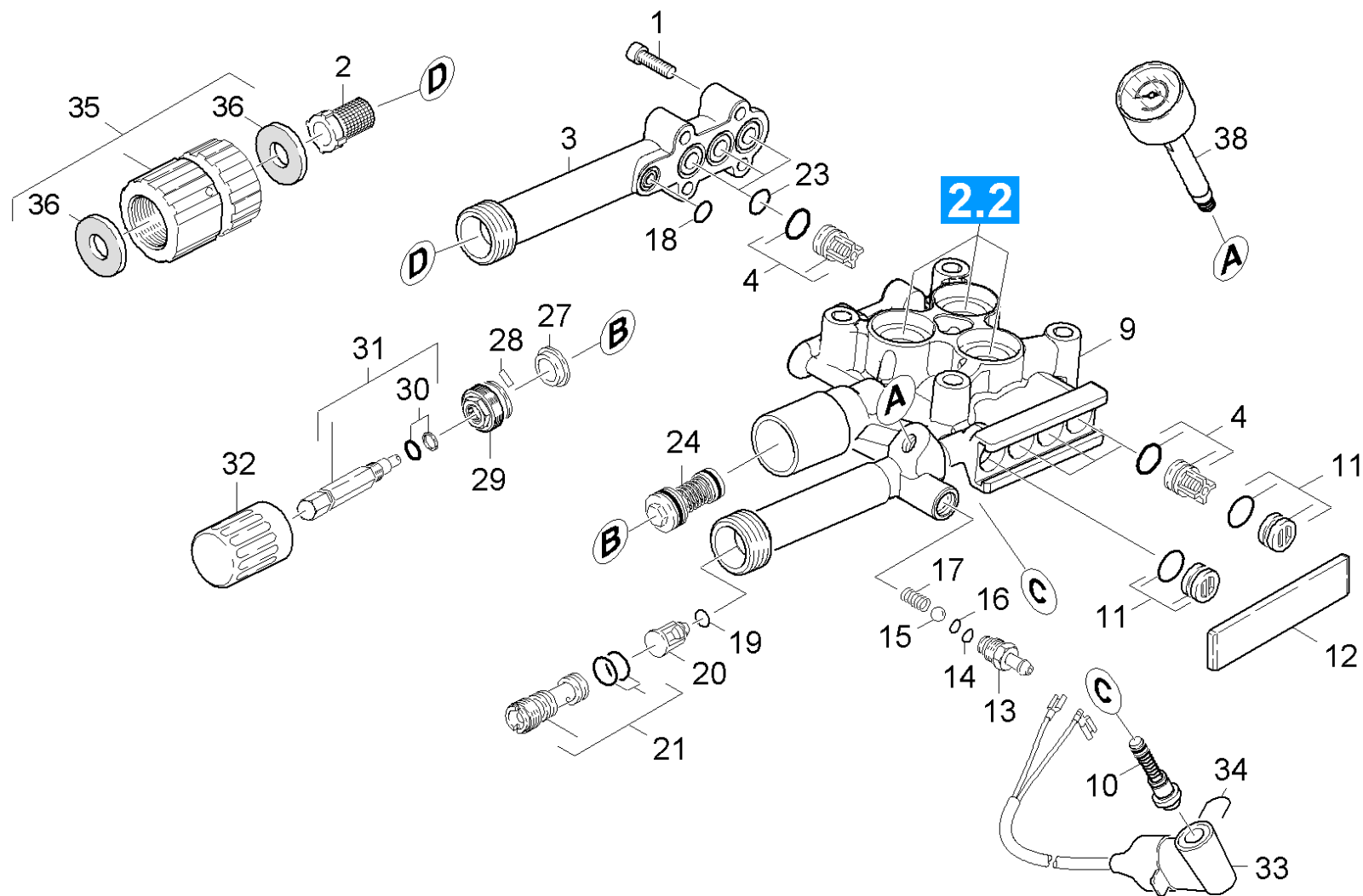


10 Housing

POS	Article no.	Description	Quantity	Unit	Foot note text
1	5.069-443.0	Device cover basalt grey only for replac	1.000	ST	
2	6.304-099.0	Saucer-head screw M 6x 18-4.8-R2R	1.000	ST	
3	6.310-053.0	Putting nut	1.000	ST	
4	5.050-286.0	Frame front part	1.000	ST	
5	5.032-554.0	Guide	2.000	ST	
6	5.321-721.0	Hand grip	1.000	ST	
7	5.050-207.0	Frame rear panel	1.000	ST	
8	6.315-086.0	Rivet	2.000	ST	
9		Covering cap with bore	1.000	ST	
10	2.885-007.0	Spare part set Griff	1.000	ST	
11	4.063-778.0	Proportioning valve chemistry	1.000	ST	
13	5.105-399.0	Axle	1.000	ST	
14	6.435-662.0	Wheel D200	2.000	ST	
15	4.515-323.0	Spare parts set wheel cap basalt grey RA	1.000	ST	SET OF 2 PIECES
16	5.044-216.0	Holder	1.000	ST	
17	7.303-108.0	Screw 5x20 -10.9-R2R (In6Rd)	10.000	ST	
18	6.388-216.0	Hose DN 5	1.000	M	TO ORDER AS CUT GOODS
20	5.731-652.0	Filter with weight	1.000	ST	
21	5.032-555.0	Guide	2.000	ST	
22	5.057-062.0	Support	2.000	ST	
23	6.343-168.0	Lock washer	2.000	ST	
24	7.303-046.0	Screw M6x12 -St-R3R (In6Rd)	2.000	ST	
25	5.037-170.0	Hook	1.000	ST	
26	5.064-217.0	Cover air inlet	1.000	ST	
27	5.107-248.0	Bar shearing shackle	2.000	ST	
28	7.303-107.0	Screw 5x16 -10.9-P2R (K-In6Rd)	2.000	ST	
29	7.311-088.0	Hexagon nut M10-8-A2K EN 1664	1.000	ST	

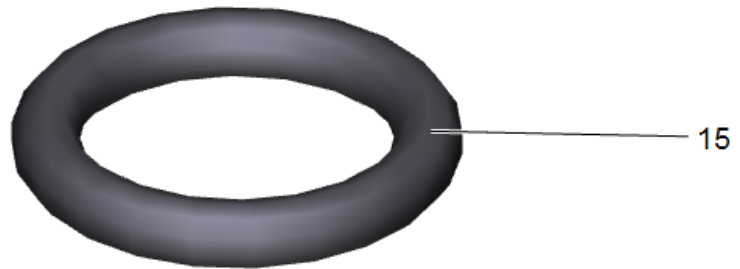
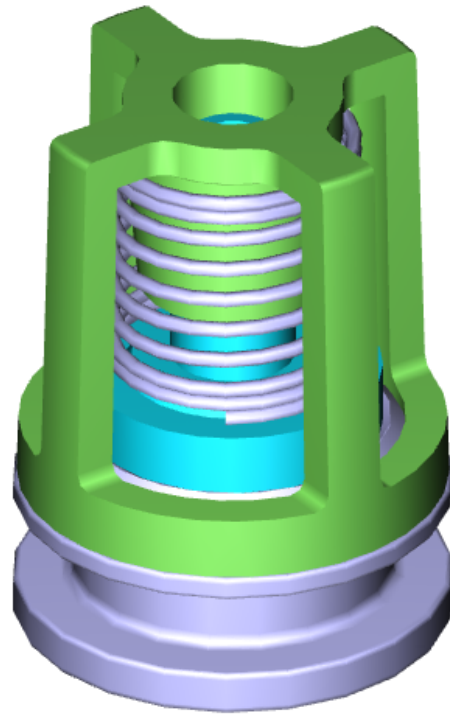
20 Pump set

POS	Description	Quantity	Unit
21	Cylinder head	1.000	ST
22	Thrust guidance	1.000	ST



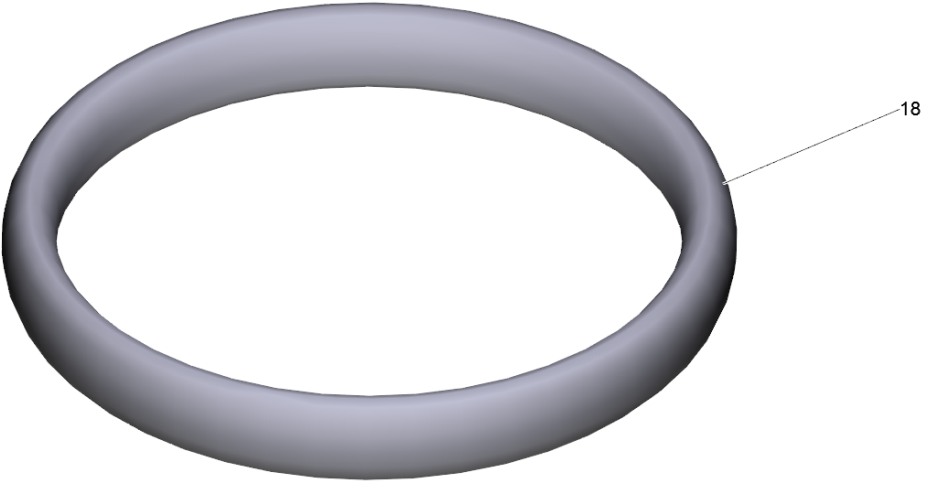
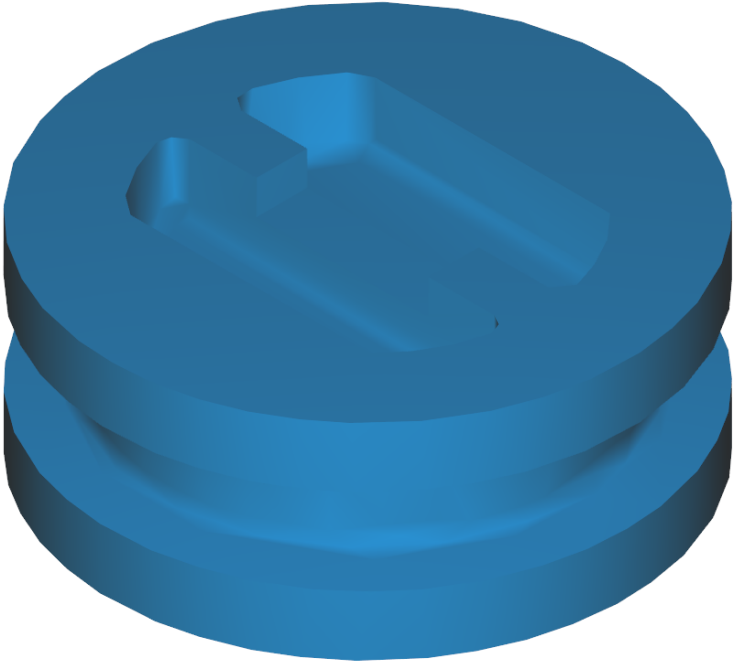
21 Cylinder head

POS	Article no.	Description	Quantity	Unit
1	7.306-105.0	Screw M6x30 -8.8-R3R (In6Rd)	4.000	ST
2	6.414-252.0	Strainer	1.000	ST
3	5.064-150.0	Suction cover	1.000	ST
4	2.884-916.0	Valve (3 Stück)	2.000	ST
9	5.550-324.3	Cylinder head	1.000	ST
10	2.884-501.0	Spare part set control piston	1.000	ST
11	4.132-007.0	Drain plug only for replacement	4.000	ST
12	5.003-062.0	Plate	1.000	ST
13	5.443-624.0	Nipple	1.000	ST
14	6.362-113.0	O-Ring seal 6,0 x 2,0 NBR 70	1.000	ST
15	7.401-908.0	Sphere 7 G300 -1.4301 DIN 5401	1.000	ST
16	6.363-597.0	O-Ring seal 5,28 x 1,78	1.000	ST
17	5.332-258.0	Helical spring	1.000	ST
18	6.362-384.0	O-Ring seal 9x1,5 - NBR 70	1.000	ST
19	6.363-613.0	O-Ring seal 4 x 2 -NBR90	1.000	ST
20	4.584-022.0	Valve pin complete	1.000	ST
21	4.769-034.0	Nozzle insert only for replacement	1.000	ST
23	6.362-533.0	O-Ring seal 14,0 X 1,5-NBR 70	3.000	ST
24	4.591-038.0	Overflow valve	1.000	ST
27	5.110-630.0	Sleeve	1.000	ST
28	7.314-629.0	Grooved pin 2x10 -A1 ISO 8742	1.000	ST
29	5.583-147.0	Valve screw	1.000	ST
30	6.362-468.0	O-Ring seal complete 1ST.-R.	1.000	ST
31	4.291-014.0	Spindle complete	1.000	ST
32	5.322-095.0	Handhold yellow RAL 1018	1.000	ST
33	4.744-242.0	Switch kpl. -nur für Ersatz-	1.000	ST
34	5.034-494.0	Retaining bracket	1.000	ST
35	4.401-059.0	Screw connector part	1.000	ST
36	5.364-129.0	Flat gasket	2.000	ST
38	6.421-349.3	Pressure gauge 0-30 MPa	1.000	ST
100	2.885-242.0	Pump set HD 6/15 C	1.000	ST



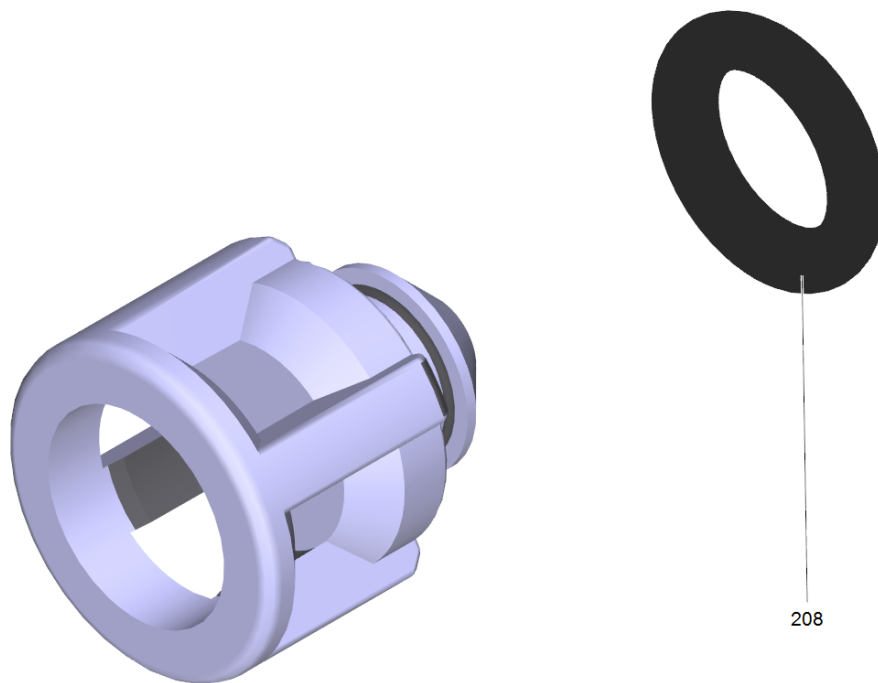
4 Valve (3 Stück) (2.884-916.0)

POS	Article no.	Description	Quantity	Unit
15	6.362-077.0	O-Ring seal 10 x 2,2 NBR 70	1.000	ST



11 Drain plug only for replacement (4.132-007.0)

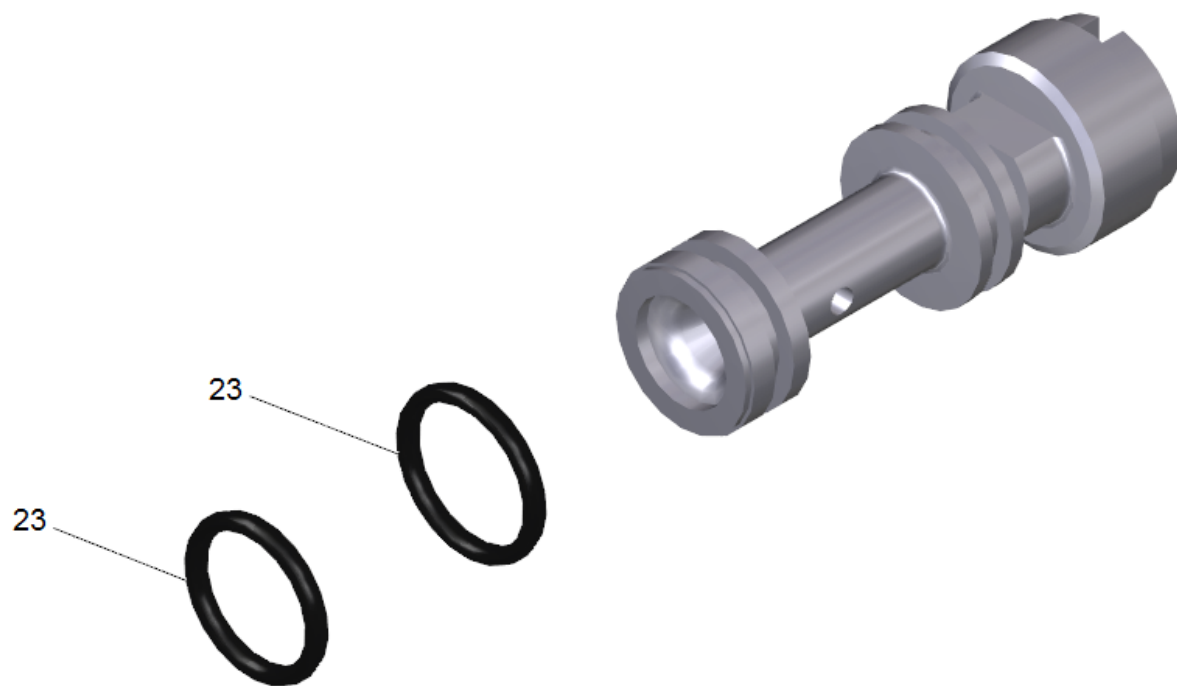
POS	Article no.	Description	Quantity	Unit
18	6.362-458.0	O-Ring seal 11,0x2,0-NBR 70	1.000	ST



208

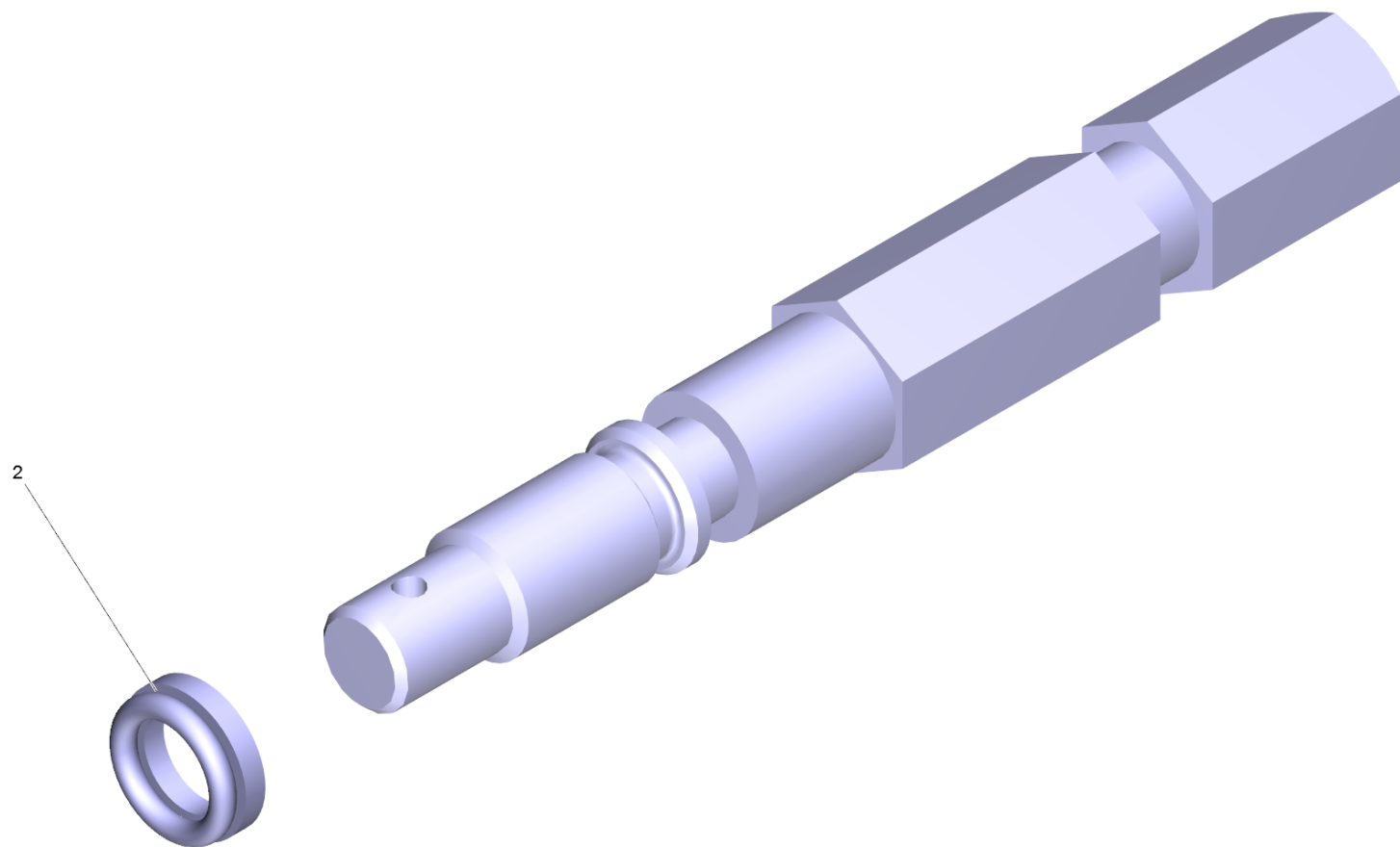
20 Valve pin complete (4.584-022.0)

POS	Article no.	Description	Quantity	Unit
208	6.363-613.0	O-Ring seal 4 x 2 -NBR90	1.000	ST



21 Nozzle insert only for replacement (4.769-034.0)

POS	Article no.	Description	Quantity	Unit
23	6.362-384.0	O-Ring seal 9x1,5 - NBR 70	2.000	ST

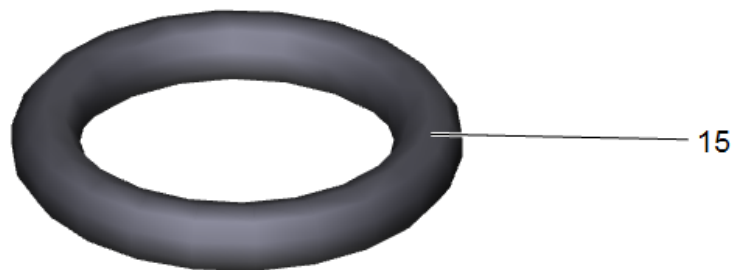
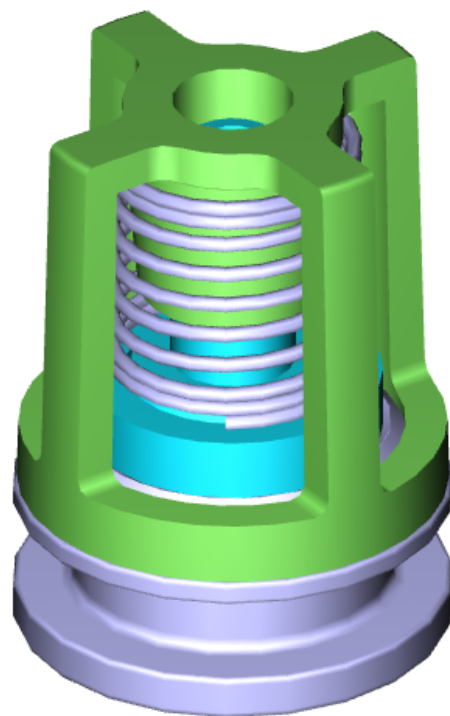


31 Spindle complete (4.291-014.0)

POS	Article no.	Description	Quantity	Unit
2	6.362-468.0	O-Ring seal complete 1ST.-R.	1.000	ST

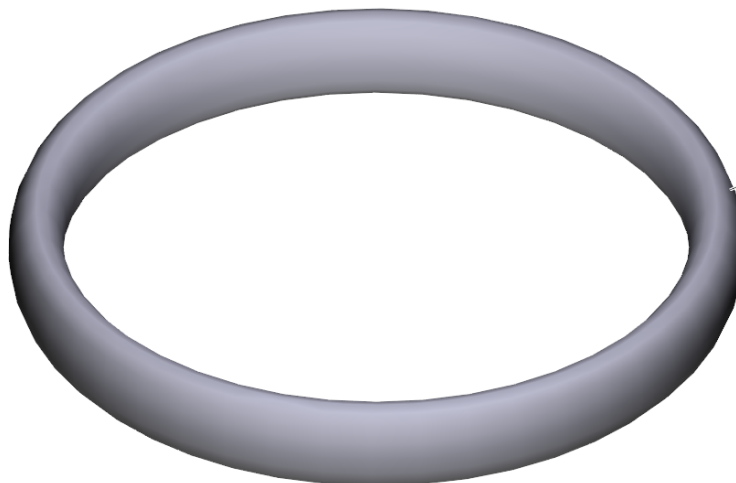
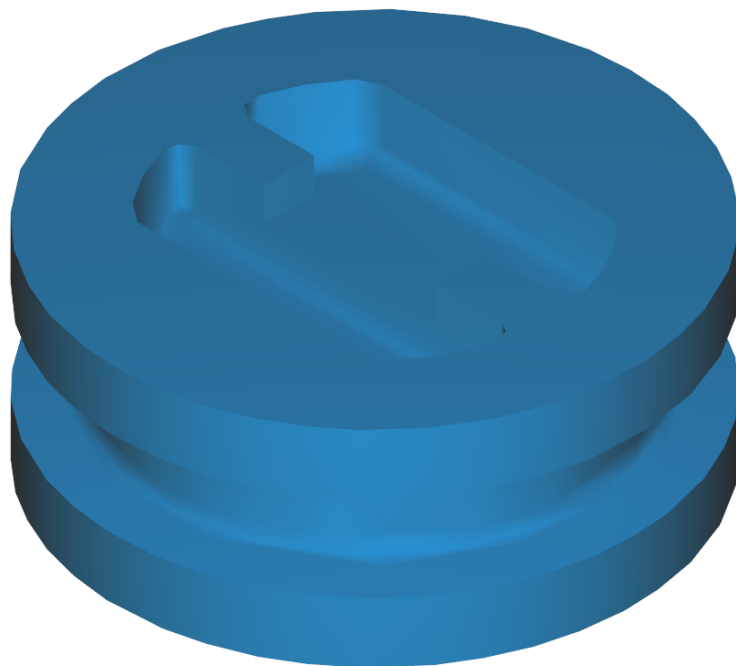
100 Pump set HD 6/15 C (2.885-242.0)

POS	Article no.	Description	Quantity	Unit
1	2.884-916.0	Valve (3 Stück)	2.000	ST
2	5.115-721.0	Washer	3.000	ST
3	5.116-093.0	Washer	3.000	ST
5	6.288-072.0	Silicon grease	1.000	ST
6	6.362-384.0	O-Ring seal 9x1,5 - NBR 70	1.000	ST
7	6.362-376.0	O-Ring seal 24,0 X 1,5	3.000	ST
9	6.365-393.0	Oil sealing 12x20x4/6	3.000	ST
10	6.365-563.0	Grooved ring	6.000	ST
14	4.132-007.0	Drain plug only for replacement	4.000	ST
16	6.362-533.0	O-Ring seal 14,0 X 1,5-NBR 70	3.000	ST
17	5.112-726.0	Bush	3.000	ST



1 Valve (3 Stück) (2.884-916.0)

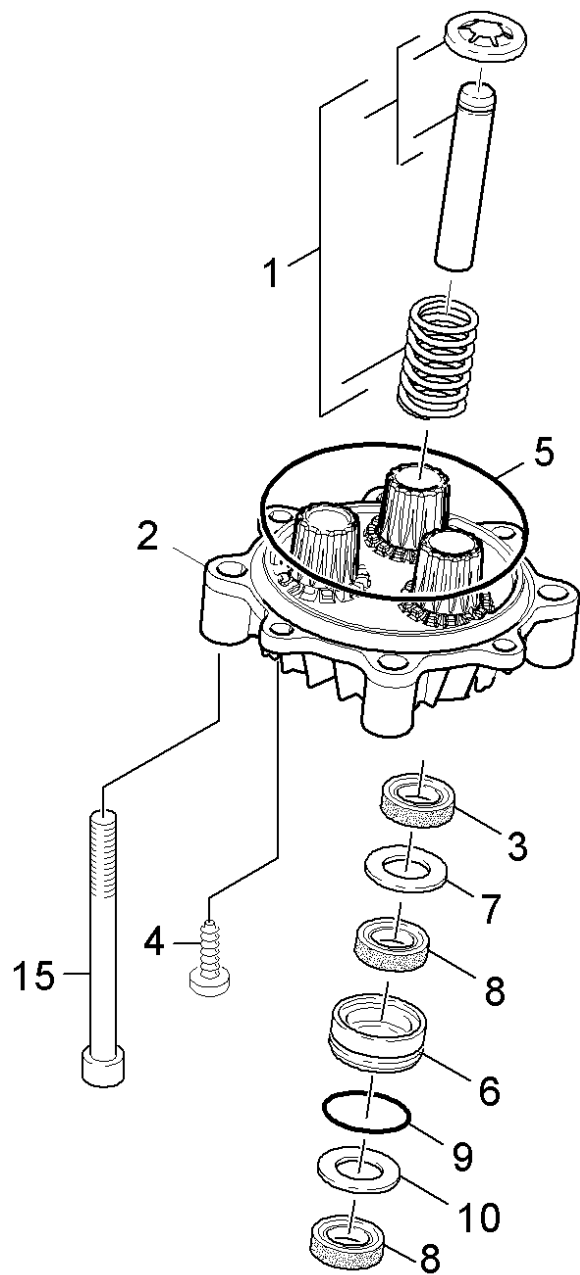
POS	Article no.	Description	Quantity	Unit
15	6.362-077.0	O-Ring seal 10 x 2,2 NBR 70	1.000	ST



18

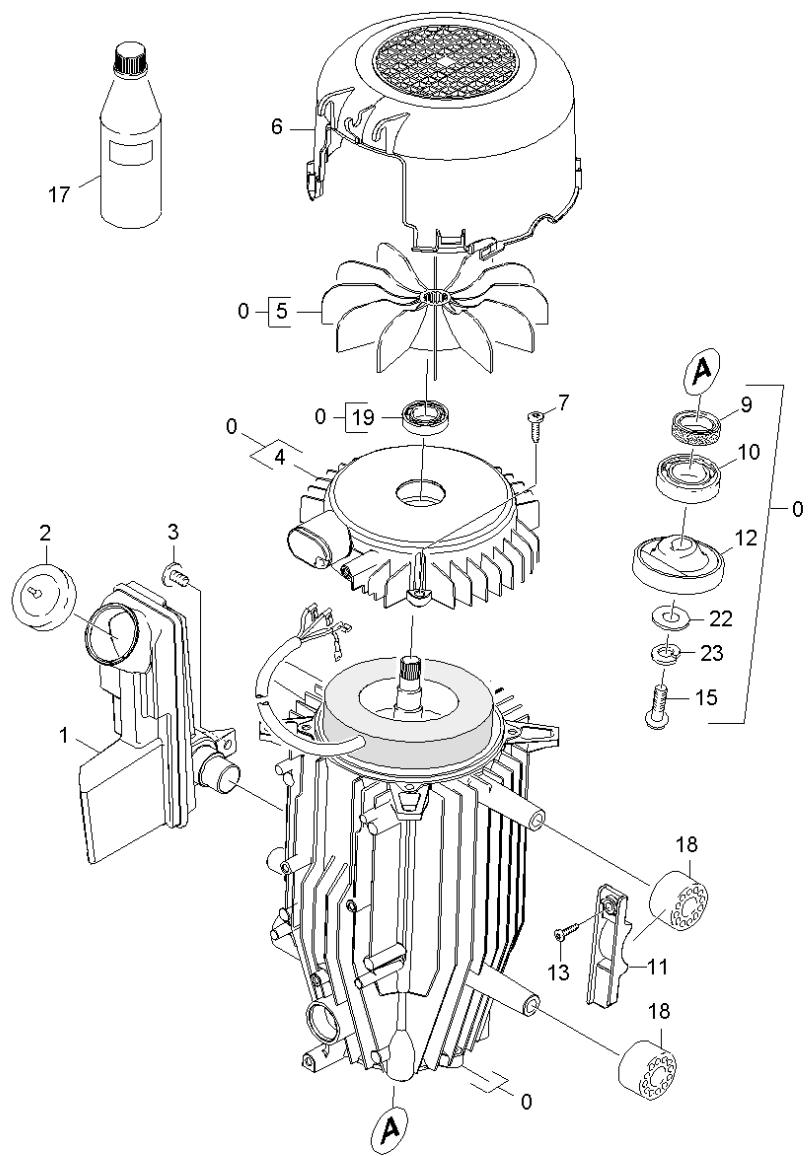
14 Drain plug only for replacement (4.132-007.0)

POS	Article no.	Description	Quantity	Unit
18	6.362-458.0	O-Ring seal 11,0x2,0-NBR 70	1.000	ST



22 Thrust guidance

POS	Article no.	Description	Quantity	Unit
1	4.553-231.0	Piston complete only for replacement	3.000	ST
2	5.061-018.3	Thrust guidance	1.000	ST
3	6.365-393.0	Oil sealing 12x20x4/6	3.000	ST
4	7.303-047.0	Screw M6x16 -St-R3R (In6Rd)	2.000	ST
5	6.363-252.0	O-Ring seal 75,87 x 2,62	1.000	ST
6	5.112-726.0	Bush	3.000	ST
7	5.116-093.0	Washer	3.000	ST
8	6.365-477.0	Grooved ring 12x20x5,3/2,8	6.000	ST
9	6.362-376.0	O-Ring seal 24,0 X 1,5	3.000	ST
10	5.115-721.0	Washer	3.000	ST
15	7.306-106.0	Cylinder head screw M8x70 -8.8-A2E ISO4	4.000	ST

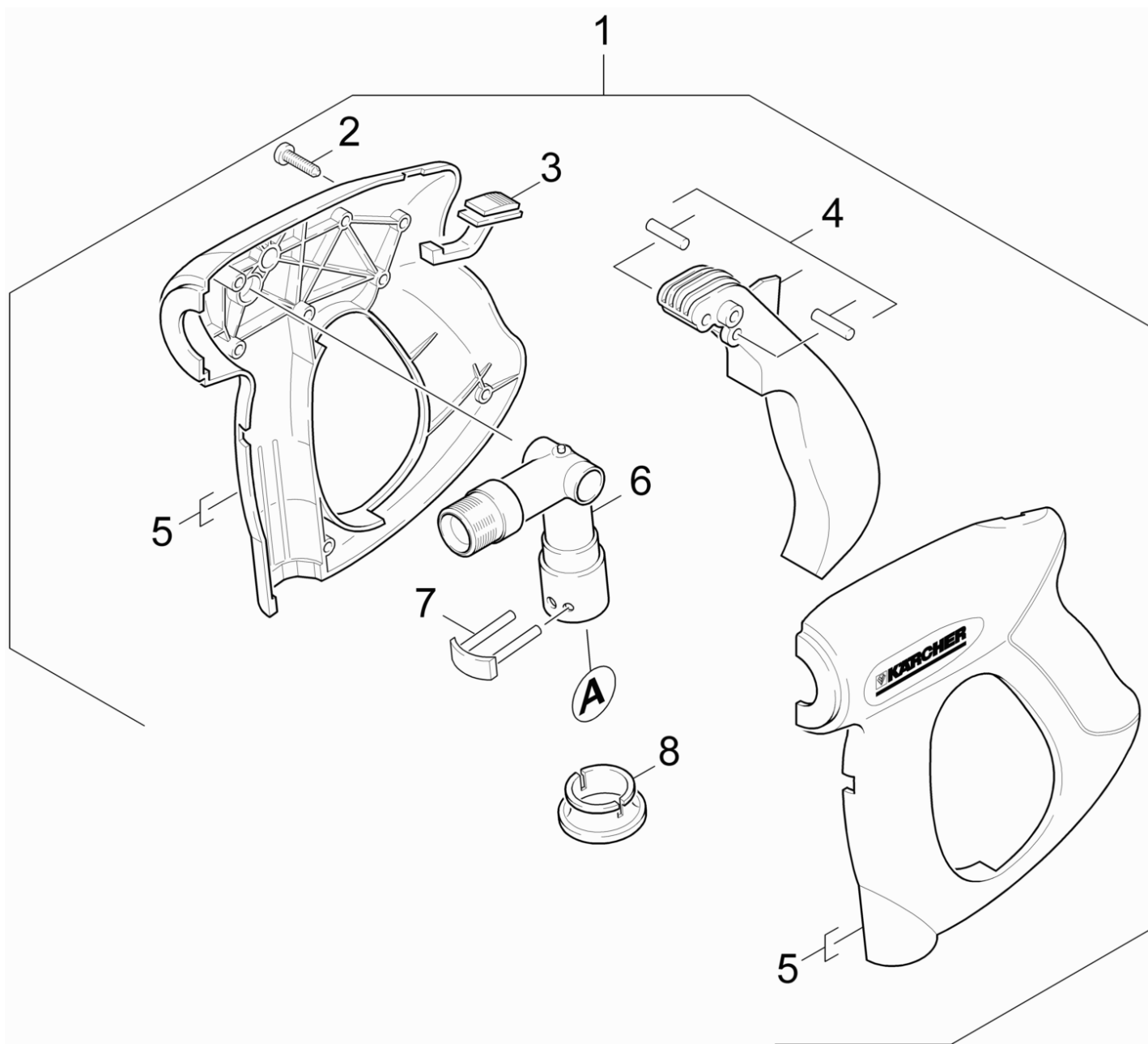


30 Motor

POS	Article no.	Description	Quantity	Unit
0	4.623-853.0	Motor complete only for replacement	1.000	ST
1	5.070-639.0	Tank oil	1.000	ST
2	5.064-454.0	Cover qusty grey	1.000	ST
3	6.303-153.0	Screw M5x15-ST-R2R (IN6RD)	1.000	ST
4	5.064-197.0	Bearing cover B	1.000	ST
5	5.600-060.0	Blower wheel	1.000	ST
6	5.692-081.0	Air circulation	1.000	ST
7	6.303-320.0	Screw M 5x 20-St-R2R	4.000	ST
9	7.367-001.0	Radial shaft seal ring A24x37x7 -NBR DI	1.000	ST
10	6.401-410.0	Angular contact ball bearing	1.000	ST
11	5.802-288.0	Mounting part	2.000	ST
12	4.120-216.0	Wobble plate	1.000	ST
13	7.303-108.0	Screw 5x20 -10.9-R2R (In6Rd)	2.000	ST
15	7.306-042.0	Cylinder head screw M8x25 -8.8-A2E ISO4	1.000	ST
17	6.288-050.0	Engine oil 1L	1.000	ST
18	5.767-005.0	Rubber buffer	4.000	ST
19	7.401-128.0	Ball bearing 6202-2RS -Wälzl.St DIN 625	1.000	ST
22	7.312-277.0	Washer 8-200HV-A2E ISO7093-1	1.000	ST
23	7.313-004.0	Spring washer B 8-FSt-A3E DIN 127	1.000	ST

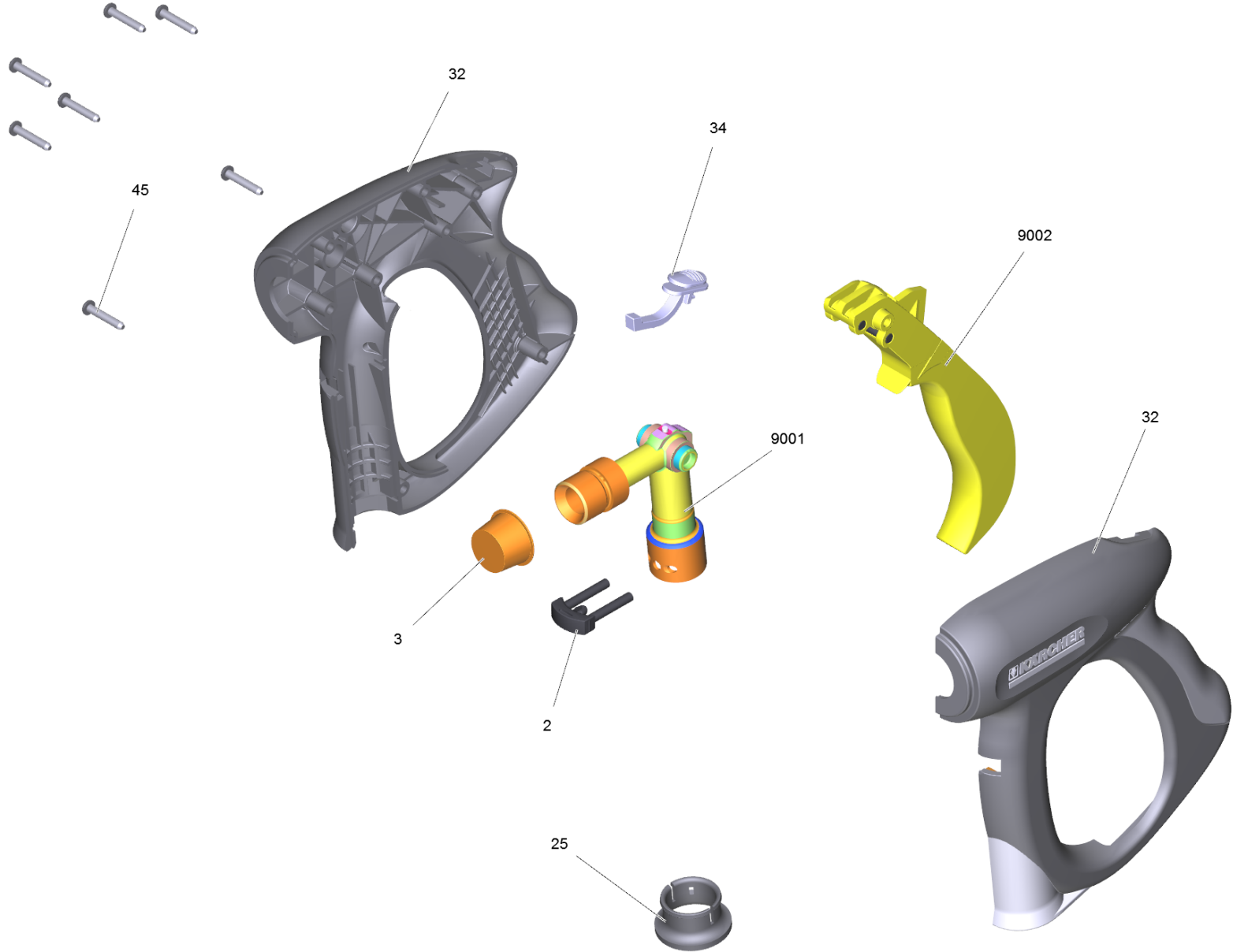
40 Accessories

POS	Description	Quantity	Unit
41	Hand trigger gun	1.000	ST
42	High pressure hose	1.000	ST
43	Jet pipe	1.000	ST
44	Triple jet nozzle	1.000	ST



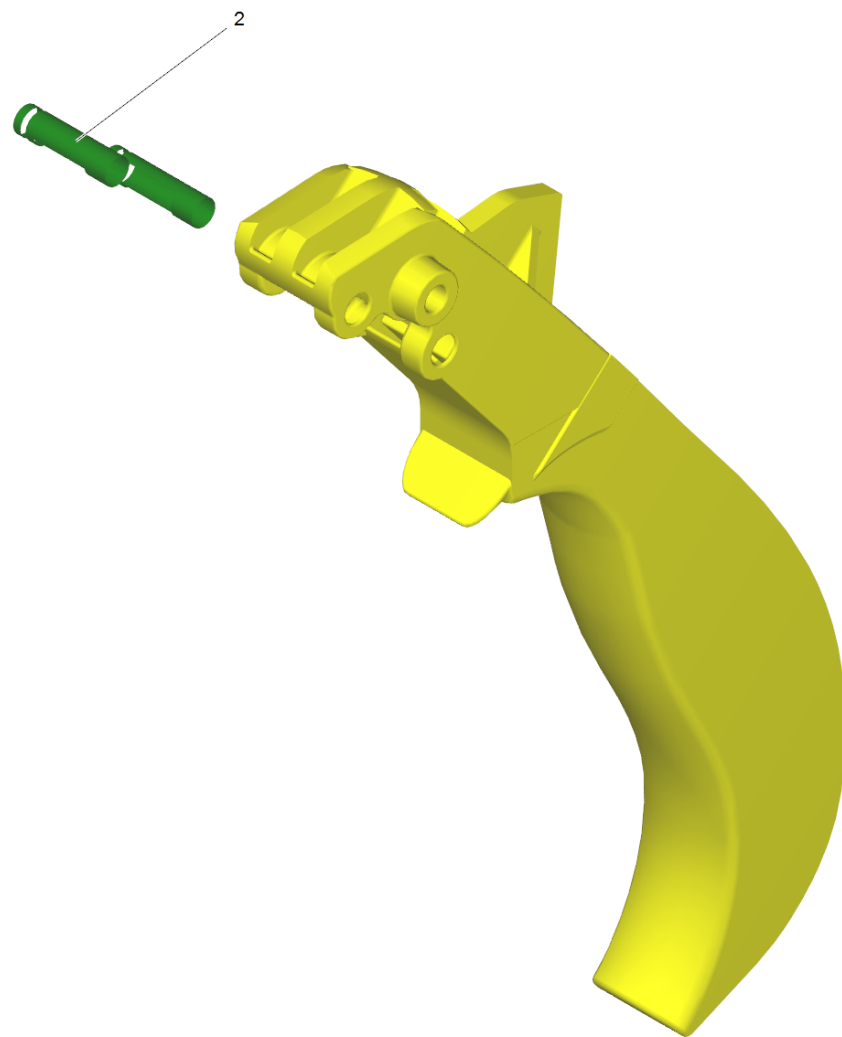
41 Hand trigger gun

POS	Article no.	Description	Quantity	Unit
1	4.775-463.0	HAND TRIGGER GUN EASY PRESS	1.000	ST
2	7.303-096.0	Screw 4x22 -ST-10.9-R2R (IN6RD)	7.000	ST
3	5.481-331.0	Slider	1.000	ST
4	4.481-209.0	Lever complete	1.000	ST
5	5.321-669.3	Handhold few	1.000	ST
6	4.427-215.0	Manifold complete only for replacement	1.000	ST
7	4.037-013.0	Hook	1.000	ST
8	5.110-596.0	Sleeve	1.000	ST



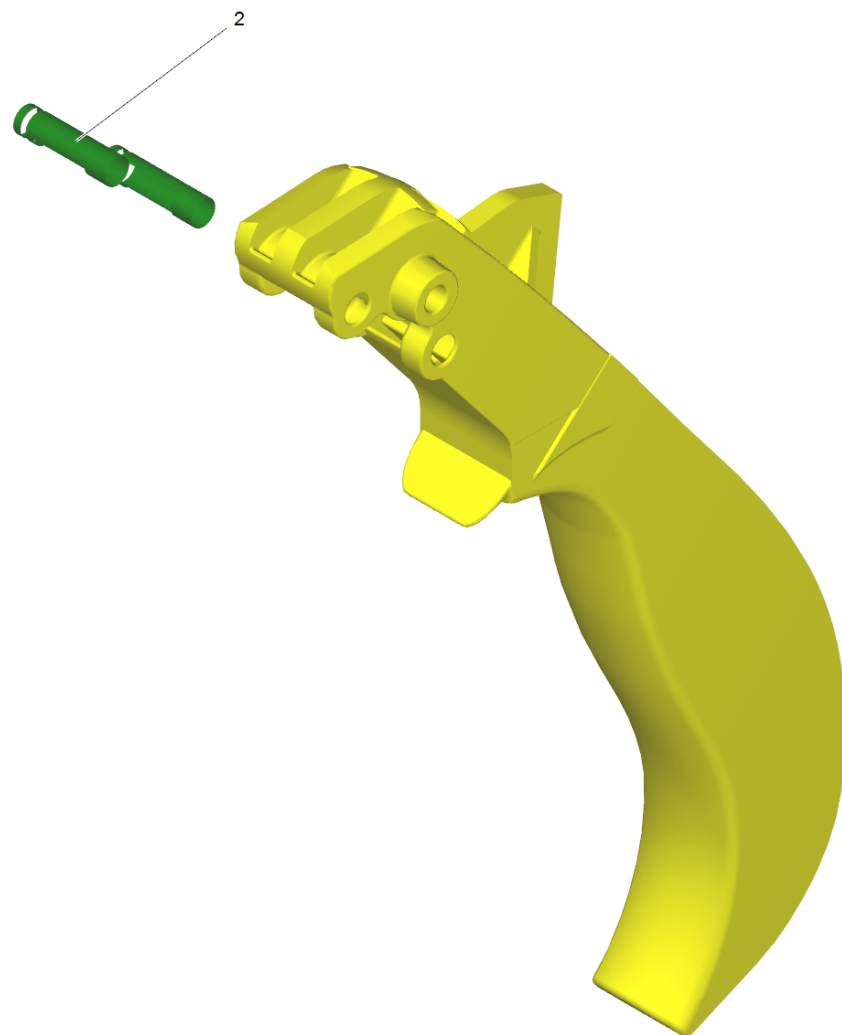
1 HAND TRIGGER GUN EASY PRESS (4.775-463.0)

POS	Article no.	Description	Quantity	Unit
2	4.037-013.0	Hook	1.000	ST
3	6.368-012.0	Protecting cap 22X1,5	1.000	ST
4	6.869-075.0	Metal bonding agent 1 ml	1.000	ST
25	5.110-596.0	Sleeve	1.000	ST
32	5.321-669.3	Handhold few	1.000	ST
34	5.481-331.0	Slider	1.000	ST
45	7.303-096.0	Screw 4x22 -ST-10.9-R2R (IN6RD)	7.000	ST
1041	6.288-044.0	Silicon grease 100 G	1.000	ST
9001	4.427-215.0	Manifold complete only for replacement	1.000	ST
9002	4.481-209.0	Lever complete	1.000	ST



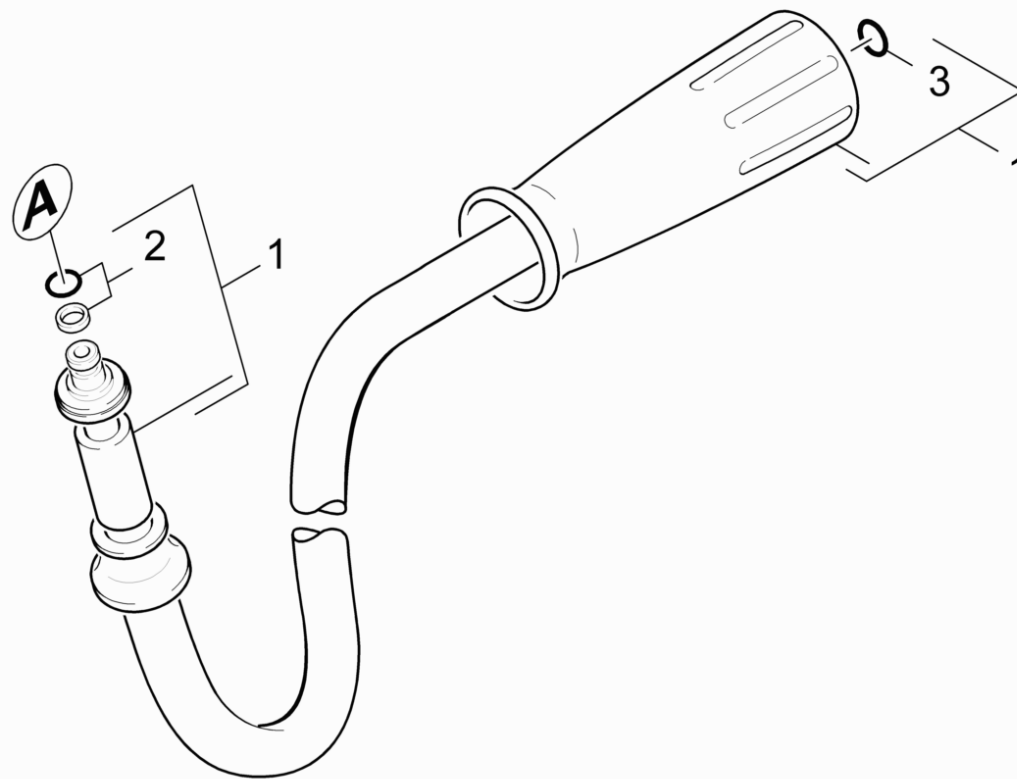
9002 Lever complete (4.481-209.0)

POS	Article no.	Description	Quantity	Unit
2	5.314-119.0	Pin	2.000	ST



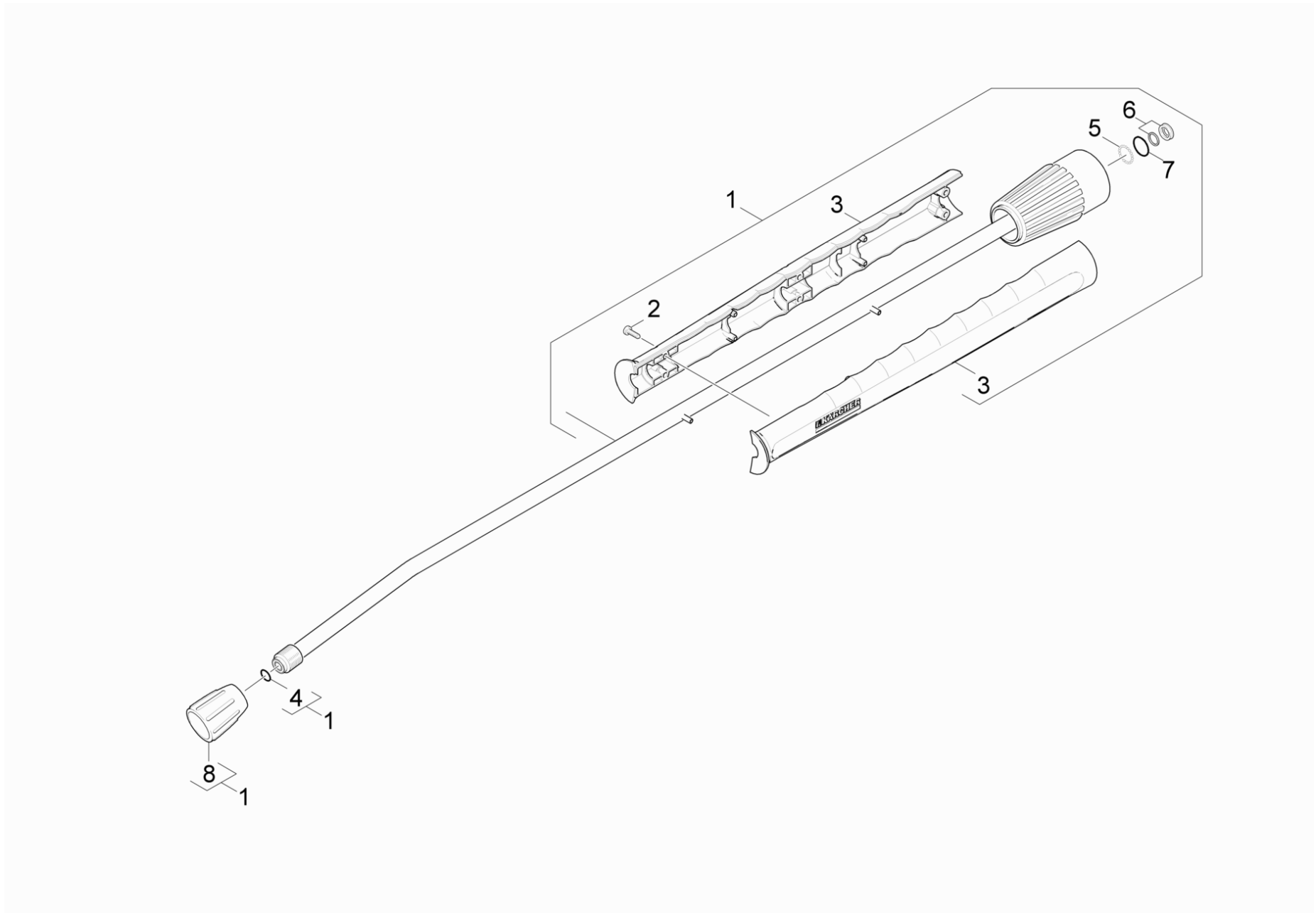
4 Lever complete (4.481-209.0)

POS	Article no.	Description	Quantity	Unit
2	5.314-119.0	Pin	2.000	ST



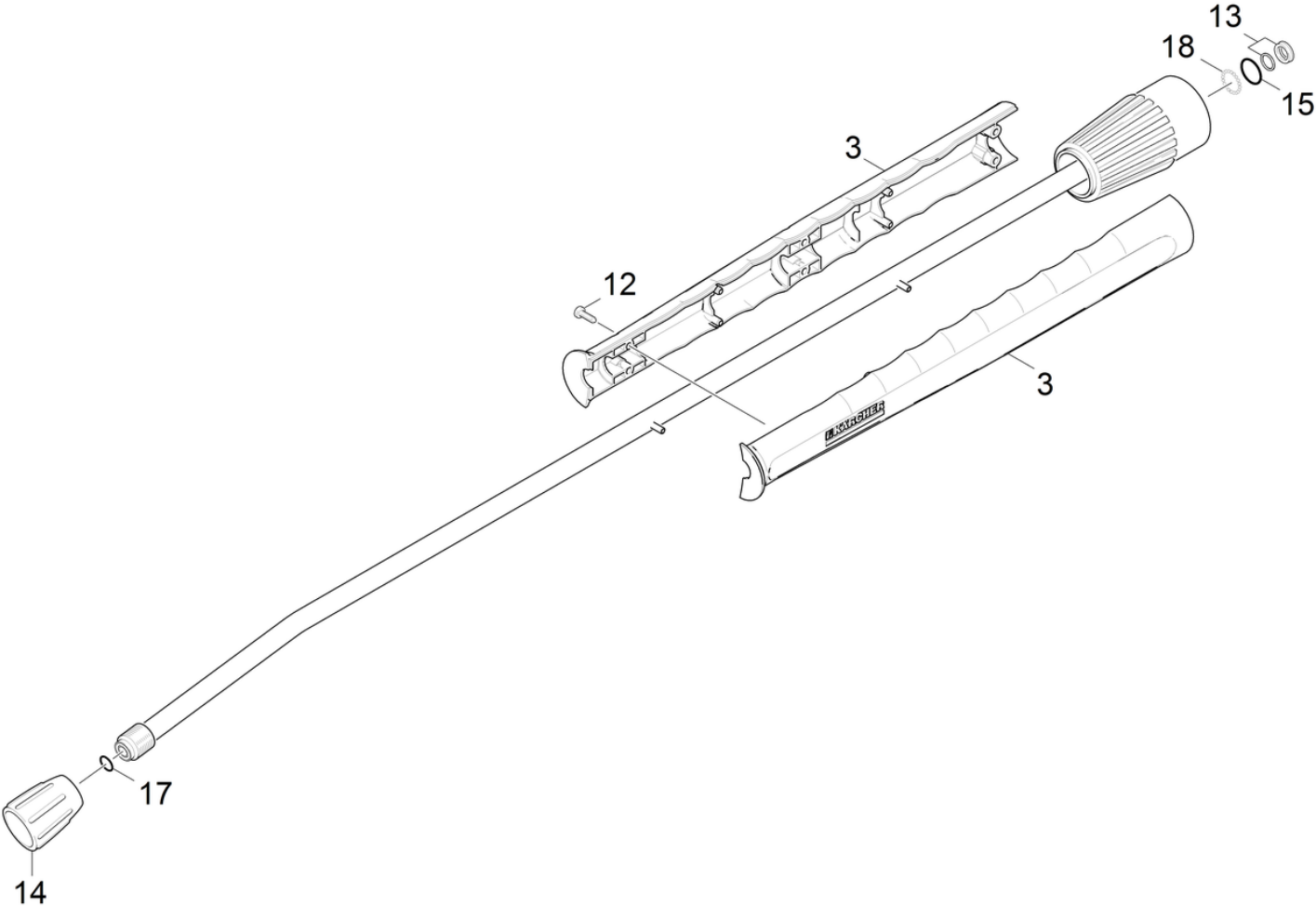
42 High pressure hose

POS	Article no.	Description	Quantity	Unit
1	6.390-025.0	Hose assembly DN8 max.31,5MPa 10m	1.000	ST
2	4.363-691.0	O-Ring seal kpl. -nur fuer Ersatz-	1.000	ST
3	2.880-990.0	Spare part set O-Ring 5x -Kaercher	1.000	ST



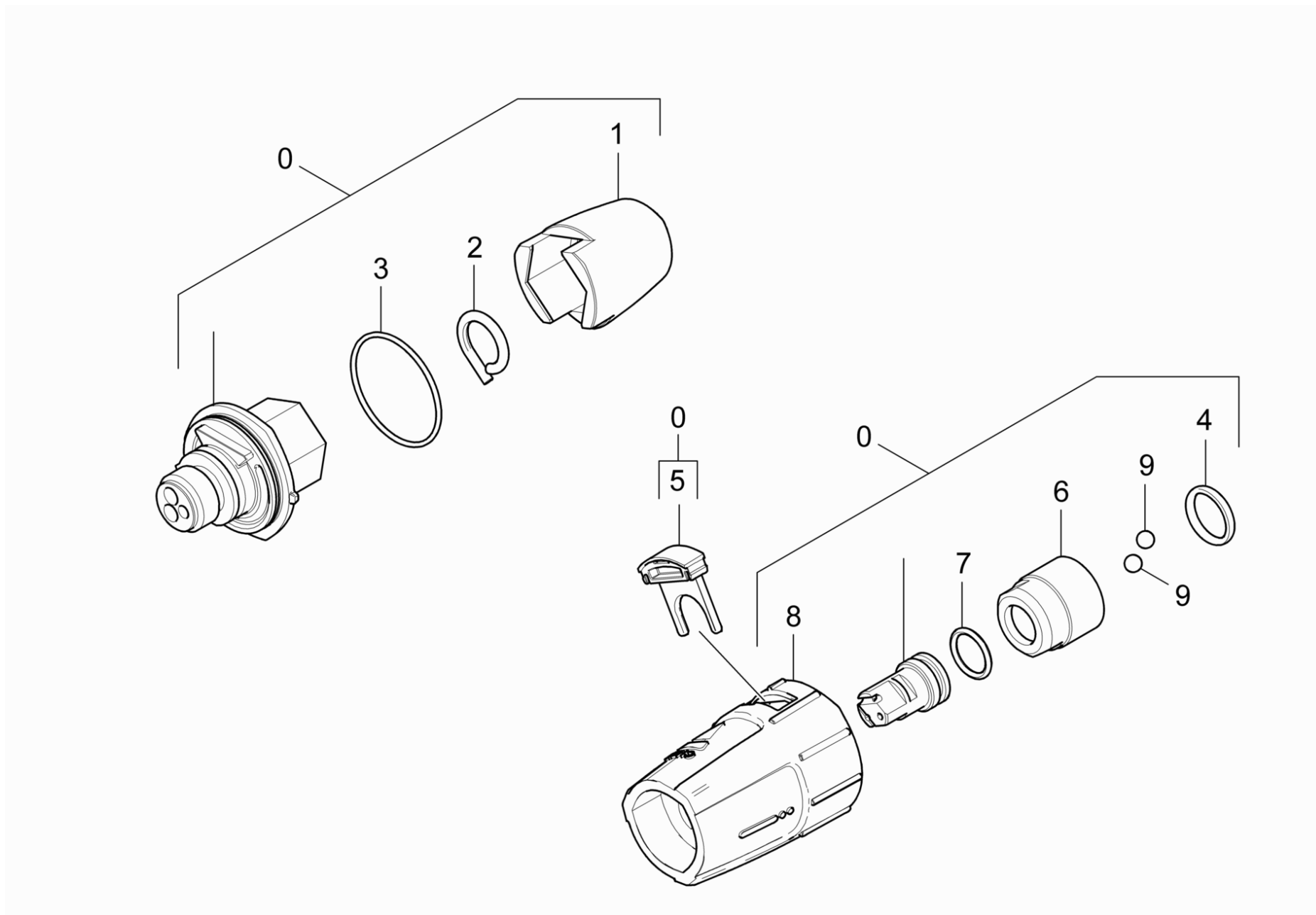
43 Jet pipe

POS	Article no.	Description	Quantity	Unit
1	4.760-663.0	Jet pipe packaged only for replacement	1.000	ST
2	7.303-129.0	Screw 4x16 -10.9-R2R (K-In6Rd)	6.000	ST
3	5.321-855.0	Handhold few jet pipe with welding bolt	1.000	ST
4	2.880-990.0	Spare part set O-Ring 5x -Kaercher	1.000	ST
5	7.401-915.0	Sphere 2,5 G20 -1.4034 DIN 5401	20.000	ST
6	4.363-692.0	Grooved ring kpl. -nur fuer Ersatz-	1.000	ST
7	6.362-524.0	O-Ring seal 17,0 X 1,5	1.000	ST
8	5.401-210.0	Screw connector part	1.000	ST



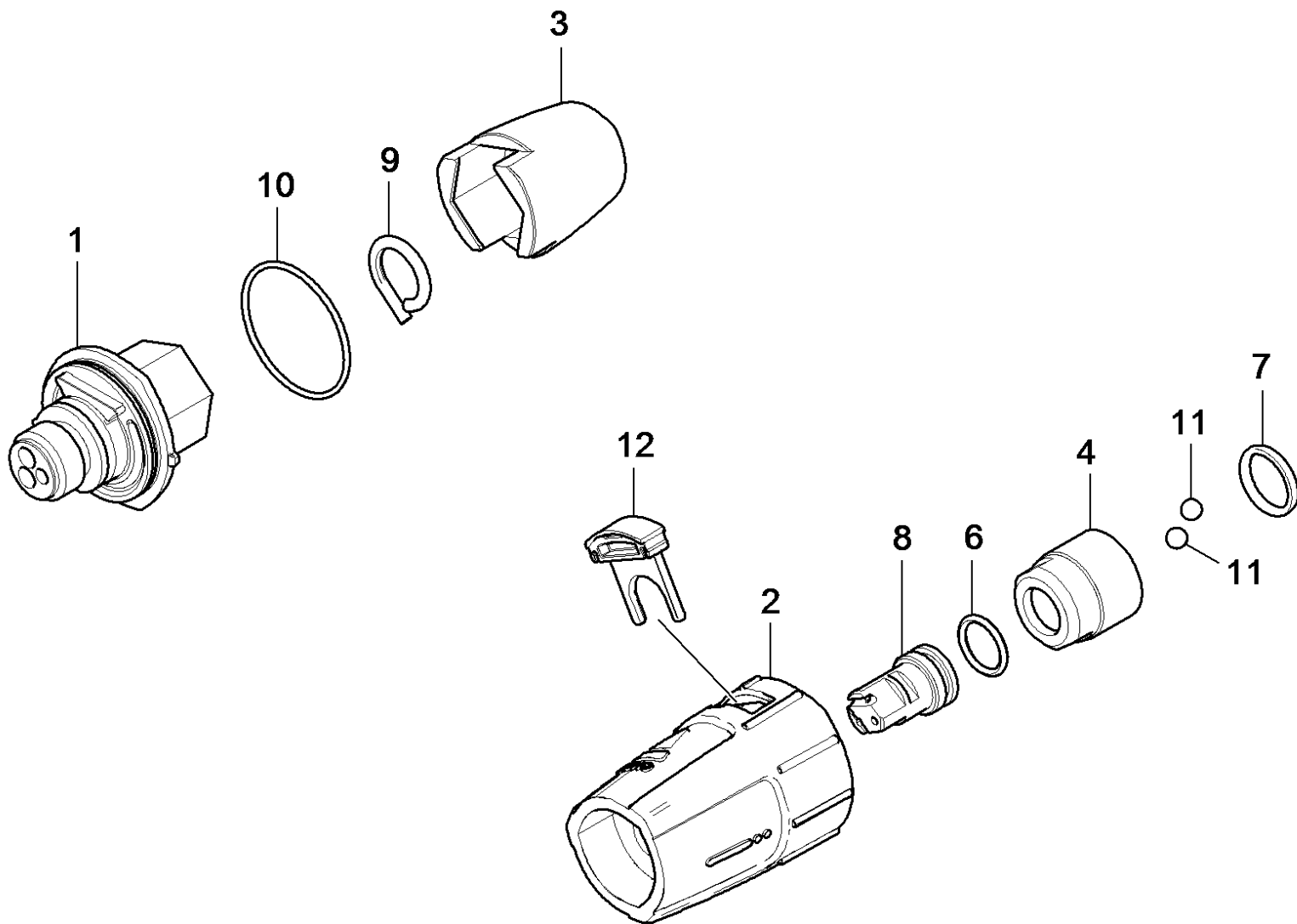
1 Jet pipe packaged only for replacement (4.760-663.0)

POS	Article no.	Description	Quantity	Unit
3	5.321-855.0	Handhold few jet pipe with welding bolt	1.000	ST
12	7.303-129.0	Screw 4x16 -10.9-R2R (K-In6Rd)	6.000	ST
13	4.363-692.0	Grooved ring kpl. -nur fuer Ersatz-	1.000	ST
14	5.401-210.0	Screw connector part	1.000	ST
15	6.362-524.0	O-Ring seal 17,0 X 1,5	1.000	ST
17	7.362-501.0	O-Ring seal 10x2 EPDM 70 DIN 3770	1.000	ST
18	7.401-915.0	Sphere 2,5 G20 -1.4034 DIN 5401	20.000	ST



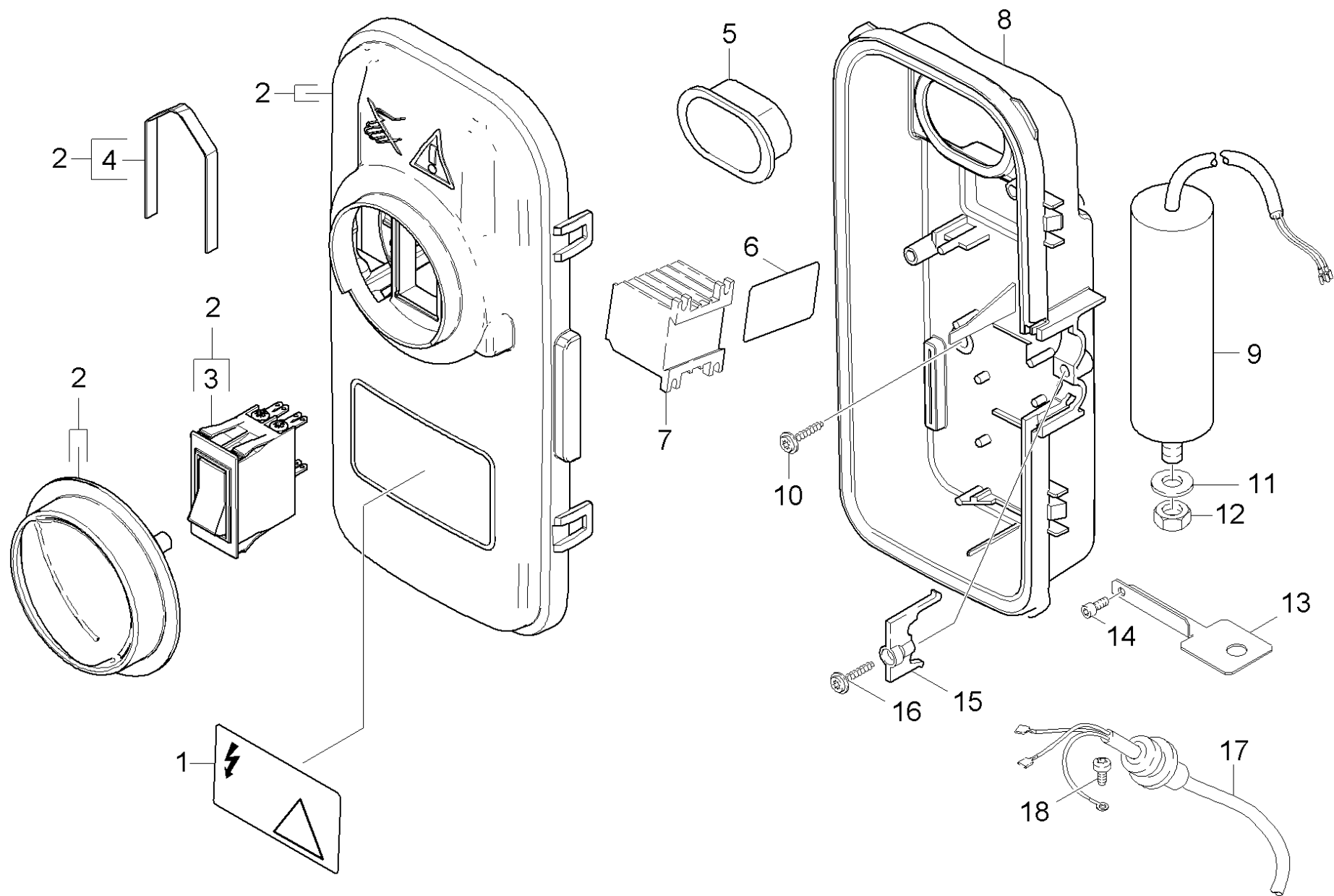
44 Triple jet nozzle

POS	Article no.	Description	Quantity	Unit
0	4.767-152.0	Triple jet nozzle only for replacement 0	1.000	ST
1	5.394-530.0	Protection part complete	1.000	ST
2	6.343-150.0	Pin 03	1.000	ST
3	6.362-409.0	O-Ring seal 32,0 X 1,5	1.000	ST
4	6.362-460.0	O-Ring seal 14,0 X 2,5-NBR 70	1.000	ST
5	5.321-884.0	Clamp	1.000	ST
6	5.311-225.0	Nut	1.000	ST
7	6.362-480.0	O-Ring seal 12,42x 1,78	1.000	ST
8	5.394-859.0	Protection part	1.000	ST
9	7.401-902.0	Sphere 5 G20 -1.4034 DIN 5401	2.000	ST



Triple jet nozzle only for replacement 0 (4.767-152.0)

POS	Article no.	Description	Quantity	Unit
1		Distributor	1.000	ST
2	5.394-859.0	Protection part	1.000	ST
3	5.394-530.0	Protection part complete	1.000	ST
4	5.311-225.0	Nut	1.000	ST
6	6.362-480.0	O-Ring seal 12,42x 1,78	1.000	ST
7	6.362-460.0	O-Ring seal 14,0 X 2,5-NBR 70	1.000	ST
8	5.415-605.0	Triple jet nozzle 043	1.000	ST
9	6.343-150.0	Pin 03	1.000	ST
10	6.362-409.0	O-Ring seal 32,0 X 1,5	1.000	ST
11	7.401-902.0	Sphere 5 G20 -1.4034 DIN 5401	2.000	ST
12	5.321-884.0	Clamp	1.000	ST



50 Electric box

POS	Article no.	Description	Quantity	Unit
1	5.388-512.0	Label	1.000	ST
2	4.744-009.0	Switch complete only for replacement	1.000	ST
3	6.632-412.0	Switch 14 A	1.000	ST
4	5.263-085.0	Tensioning part	1.000	ST
5	5.365-181.0	Profile gasket	1.000	ST
6	5.048-251.0	Plate	1.000	ST
7	6.632-421.0	Contacteur 7,5 kW / 220 V	1.000	ST
8	5.061-598.0	Housing electric control box	1.000	ST
9	6.661-254.3	Capacitor 80 µF	1.000	ST
10	6.303-153.0	Screw M5x15-ST-R2R (IN6RD)	3.000	ST
11	7.312-054.0	Washer 12-A2 ISO 7090	1.000	ST
12	7.311-071.0	Hexagon nut M12-A2-70 ISO 4032	1.000	ST
13	5.043-069.0	Holder for capacitor	1.000	ST
14	7.303-037.0	Screw M5x10 -St-P2R (In6Rd)	1.000	ST
15	5.263-002.0	Tensioning part	1.000	ST
16	6.303-200.0	Screw 5x25-IN6RD	1.000	ST
17	6.650-274.0	Cable with plug GFCI	1.000	ST
18	7.303-031.0	Screw M4x10 -St-P2R (In6Rd)	1.000	ST