

**Ersatzteilliste  
Spare Parts List  
Liste des pièces de rechange**

# **HDS 500 CI**

**1.890-406.0 HDS 500 CI \* MEX**

GRUPPE: 1.0 EINZELTEILE  
GROUP: 1.0 PIECE PARTS  
GRUPPE: 1.0 PIECES CONSTITUANTES

**A1**

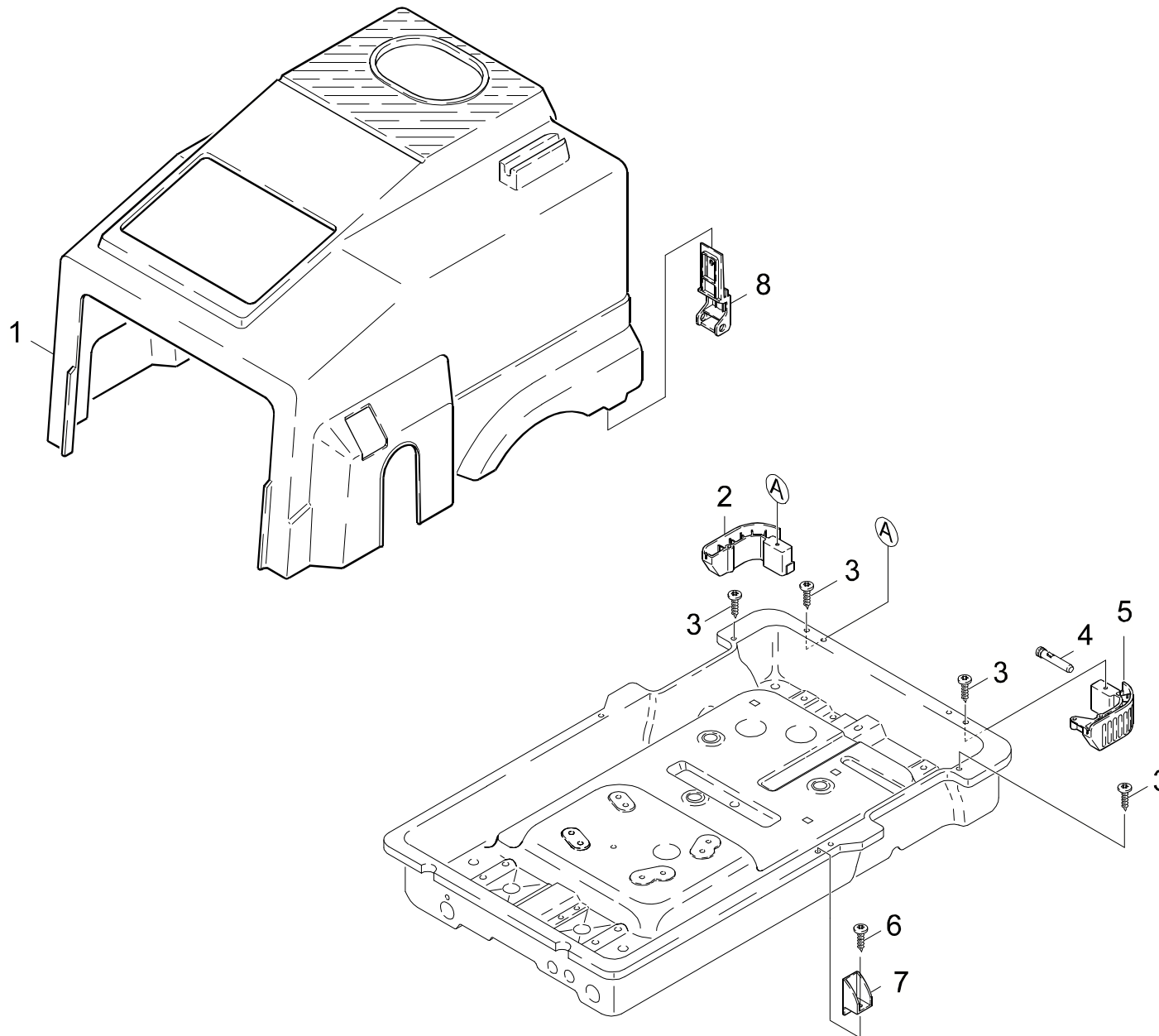
**HDS 500 CI**

**GRUPPE: 1.0 EINZELTEILE**  
**GROUP: 1.0 PIECE PARTS**  
**GRUPPE: 1.0 PIECES CONSTITUANTES**

GRUPPE: 1.1 HAUBE  
GROUP: 1.1 COVER  
GRUPPE: 1.1 CAPOT

B1

HDS 500 CI



Symbolbeschreibung siehe M16 / symbol description see M16 / désignation de système voir M16 /

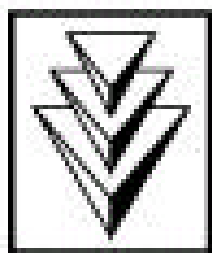
GRUPPE: 1.1 HAUBE  
GROUP: 1.1 COVER  
GRUPPE: 1.1 CAPOT

C1

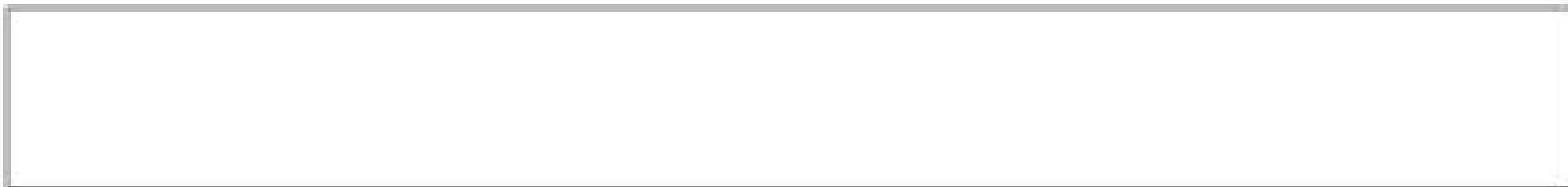
HDS 500 CI

POS. ITM. POS.	BENNENUNG DESCRIPTION DESIGNATION	TEILE-NR. PART-NO. NO.PIECE	STCK QTY. NBR.
1	HAUBE / COVER / CAPOT	5.066-679.0	1
2	GRIFF LINKS / HANDLE / POIGNEE	5.321-280.0	1
3	BL.SCHR. ST4,8X19 / SHEET METAL SCREW / VIS A TOLE	7.303-078.0	2
4	BOLZEN / BOLT / BOULON	5.316-240.0	2
5	GRIFF RECHTS / HANDLE / POIGNEE	5.321-278.0	1
6	BL.SCHR. ST4,8X13 / SHEET METAL SCREW / VIS A TOLE	7.303-076.0	2
7	HALTER / BRACKET / FIXATION	5.042-561.0	2
8	HALTER / BRACKET / FIXATION	5.042-462.0	2

"=> xxxxxx" = bis Werknummer / up to serial No. / jusqu' au No. de fabr. / "xxxxxx =>" = ab Werknummer / from serial No. / a partir du No. de fabr. /



**KÄRCHER**



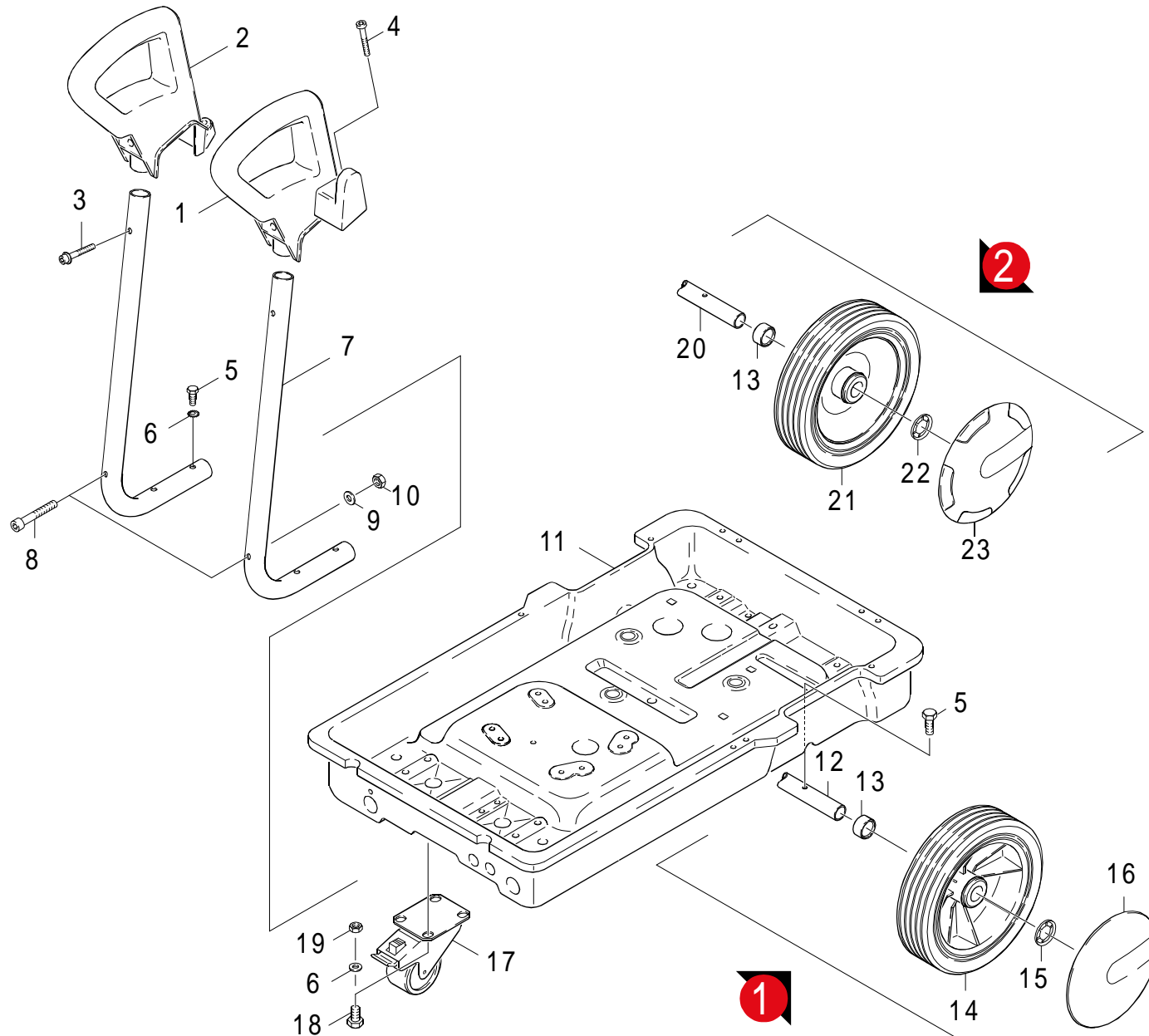
GRUPPE: 1.2 TANK  
GROUP: 1.2 TANK  
GRUPPE: 1.2 RESERVOIR

E1

HDS 500 CI

POS.	BENNENNUNG	TEILE-NR.	STCK
ITM.	DESCRIPTION	PART-NO.	QTY.
POS.	DESIGNATION	NO.PIECE	NBR.
1	DECKEL BRENNSTOFF / COVER / COUVERCLE	5.063-565.0	1
2	DICHTRING / JOINT RING / BAGUE D'ETANCHEITE	5.363-290.0	1
3	FILTER / FILTER / FILTRE	5.731-039.0	1
4	BRENNSTOFFTANK / FUEL TANK / RESERVOIR COMBUSTION	5.071-078.0	1

"=> xxxxxx" = bis Werknummer / up to serial No. / jusqu' au No. de fabr. / "xxxxxx =>" = ab Werknummer / from serial No. / a partir du No. de fabr. /



Symbolbeschreibung siehe M16 / symbol description see M16 / désignation de système voir M16 /

GRUPPE: 1.3 RAHMEN  
GROUP: 1.3 FRAME  
GROUPE: 1.3 CADRE

G1

HDS 500 CI

POS. ITM. POS.	BENNENNUNG DESCRIPTION DESIGNATION	TEILE-NR. PART-NO. NO.PIECE	STCK QTY. NBR.
1	GRIFF KPL. / HANDLE / POIGNEE	4.321-069.0	1
2	GRIFF / HANDLE / POIGNEE	5.321-440.0	1
3	SCHRAUBE M 8X 30 / SCREW / VIS	6.303-191.0	2
4	SCHRAUBE M 6X 35 / SCREW / VIS	7.306-118.0	2
5	SCHRAUBE M 8X 16 / SCREW / VIS	6.303-031.0	4
6	ZAHNSCHEIBE A 8,4 / LOCK WASHER / ROUE PLATE	7.312-166.0	3
7	GRIFF / HANDLE / POIGNEE	5.321-447.0	2
8	SCHRAUBE M 6X 45 / SCREW / VIS	7.306-131.0	2
9	SCHEIBE 6 / WASHER / RONDELLE	7.312-260.0	2
10	6KT-MUTTER M 6 / HEXAGON NUT / ECROU HEXAGONAL	7.311-512.0	2
11	RAHMEN / FRAME / CADRE	5.050-032.0	1
12	ACHSE / AXLE / ESSIEU	5.105-086.0	1
	<b>VERSION 1</b>		
13	HUELSE / SLEEVE / DOUILLE	5.110-561.0	2
14	RAD D.250 / WHEEL / ROUE	6.435-236.0	2
	<b>VERSION 1</b>		
15	SICHERUNGSSCHEIBE / LOCK WASHER / RONDELLE D'ARRET	6.343-162.0	2
	<b>VERSION 1</b>		
16	RADKAPPE / WHEEL CAB / ENJOLIVEUR	6.435-237.0	2
	<b>VERSION 1</b>		
17	LENKROLLE / CASTOR / ROUE PIVOTANTE	6.435-116.0	1
18	6KT-SCHR. M 8X 16 / HEXAGONAL HEAD SCREW / VIS HEXAGONAL	7.304-395.0	4
19	6KT-MUTTER M 8 / HEXAGON NUT / ECROU HEXAGONAL	7.311-004.0	4
20	ACHSE / AXLE / ESSIEU	5.105-251.0	1
	<b>VERSION 2</b>		
21	RAD D250 / WHEEL / ROUE	6.435-312.0	2
	<b>VERSION 2</b>		
22	KLEMMSCHEIBE D25 / CLAMPIUNG DISC / DISQUE DE SERRAGE	6.343-217.0	2
	<b>VERSION 2</b>		
23	RADKAPPE / WHEEL CAB / ENJOLIVEUR	6.435-197.0	2
	<b>VERSION 2</b>		

"=> xxxxxx" = bis Werknummer / up to serial No. / jusqu' au No. de fabr. / "xxxxxx =>" = ab Werknummer / from serial No. / a partir du No. de fabr. /

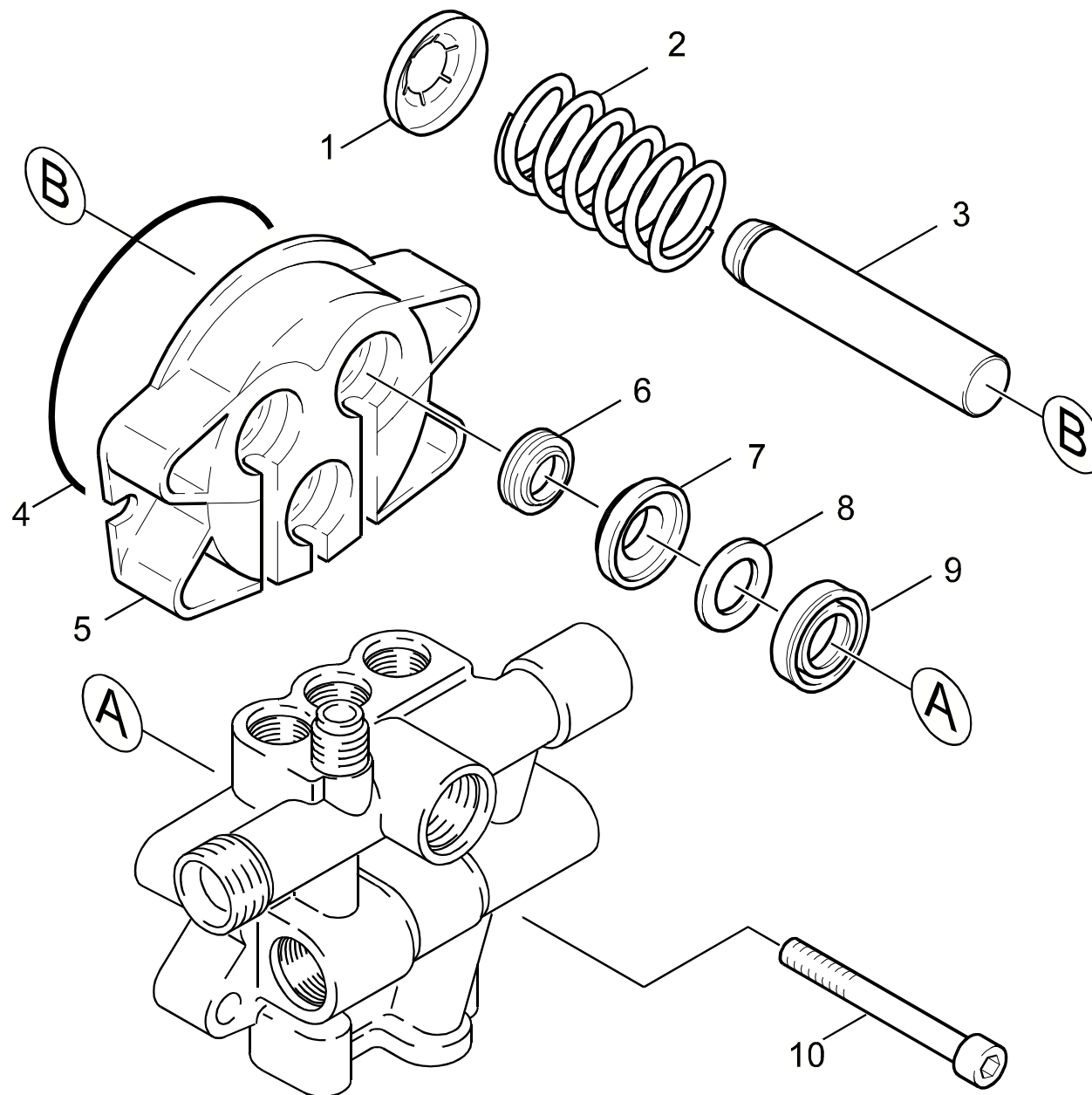


GRUPPE: 2.0 PUMPENSATZ  
GROUP: 2.0 PUMP SET  
GRUPPE: 2.0 JEU (ENSEMBLE) DE POMPE

**A2**

**HDS 500 CI**

**GRUPPE: 2.0 PUMPENSATZ**  
**GROUP: 2.0 PUMP SET**  
**GRUPPE: 2.0 JEU (ENSEMBLE) DE POMPE**



Symbolbeschreibung siehe M16 / symbol description see M16 / désignation de système voir M16 /

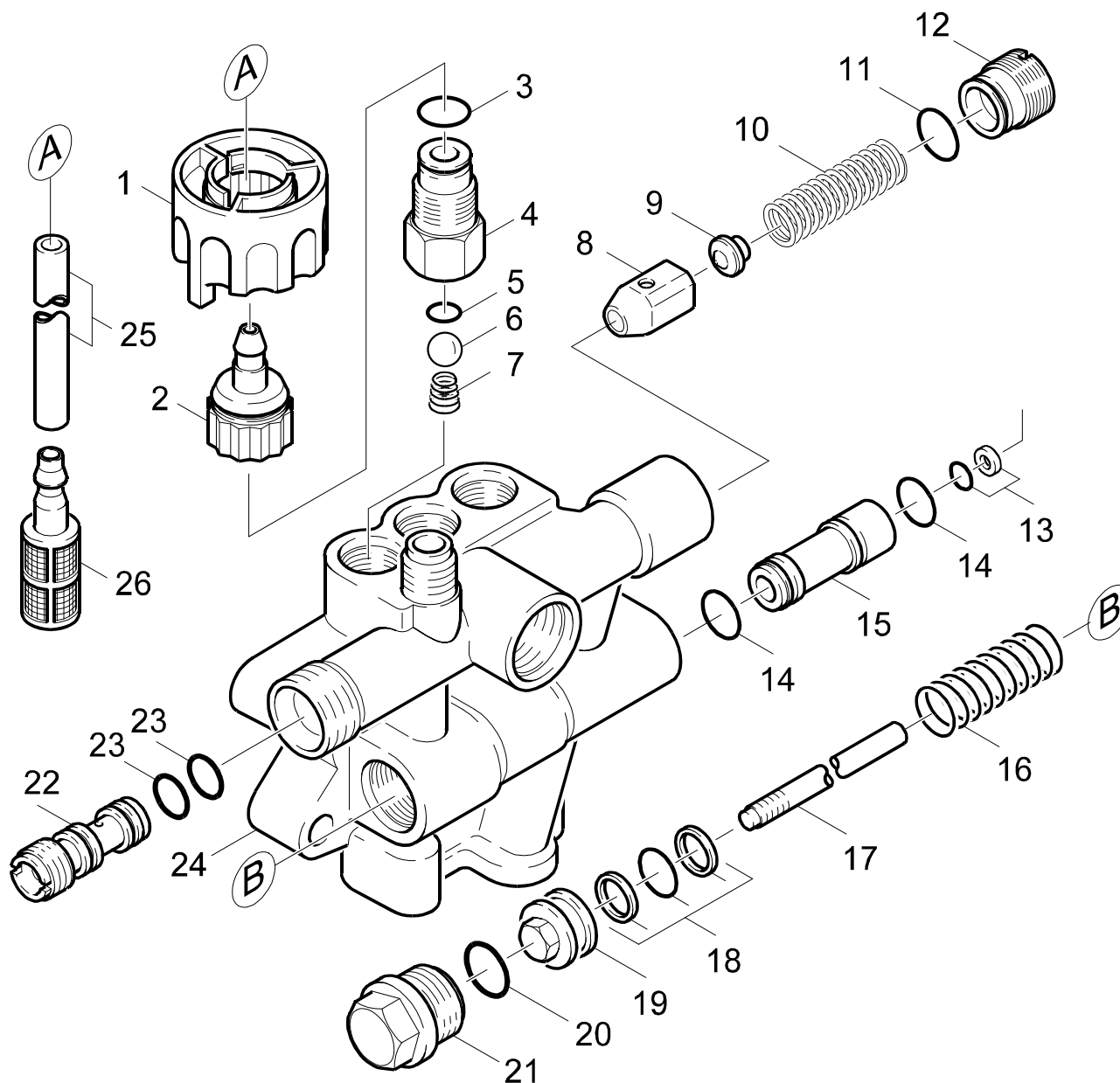
GRUPPE: 2.1 KOLBEN  
GROUP: 2.1 PISTON  
GRUPPE: 2.1 PISTON

C2

HDS 500 CI

POS. ITM. POS.	BENNENNUNG DESCRIPTION DESIGNATION	TEILE-NR. PART-NO. NO.PIECE	STCK QTY. NBR.
1	FORMTEIL / MOULDED PART / PREFORME	5.030-625.0	3
2	SCHRAUBENFEDER / HELICAL SPRING / RESSORT CYLINDRIQUE	5.332-251.0	3
3	KOLBEN / PISTON / PISTON	5.553-250.0	3
4	O-RING 80,0 X 3,0 / GASKET / BAQUE D'ETANCHEITE	6.362-471.0	1
5	GEHAEUSE GERADSCH. / HOUSING / BOITIER	5.060-349.0	1
6	NUTRING 14X22X5/7 / GROOVED RING / JOINT A LEVRES	6.365-340.0	3
7	SCHEIBE / WASHER / RONDELLE	5.115-577.0	3
8	SCHEIBE / WASHER / RONDELLE	5.115-465.0	3
9	NUTRING / GROOVED RING / JOINT A LEVRES	6.365-341.0	3
10	ZYL.SCHR. M 8X 60 / CHEESE HEAD SCREW / VIS A TETE CYLINDR.	7.306-047.0	4

"=> xxxxxx" = bis Werknummer / up to serial No. / jusqu' au No. de fabr. / "xxxxxx =>" = ab Werknummer / from serial No. / a partir du No. de fabr. /



Symbolbeschreibung siehe M16 / symbol description see M16 / désignation de système voir M16 /

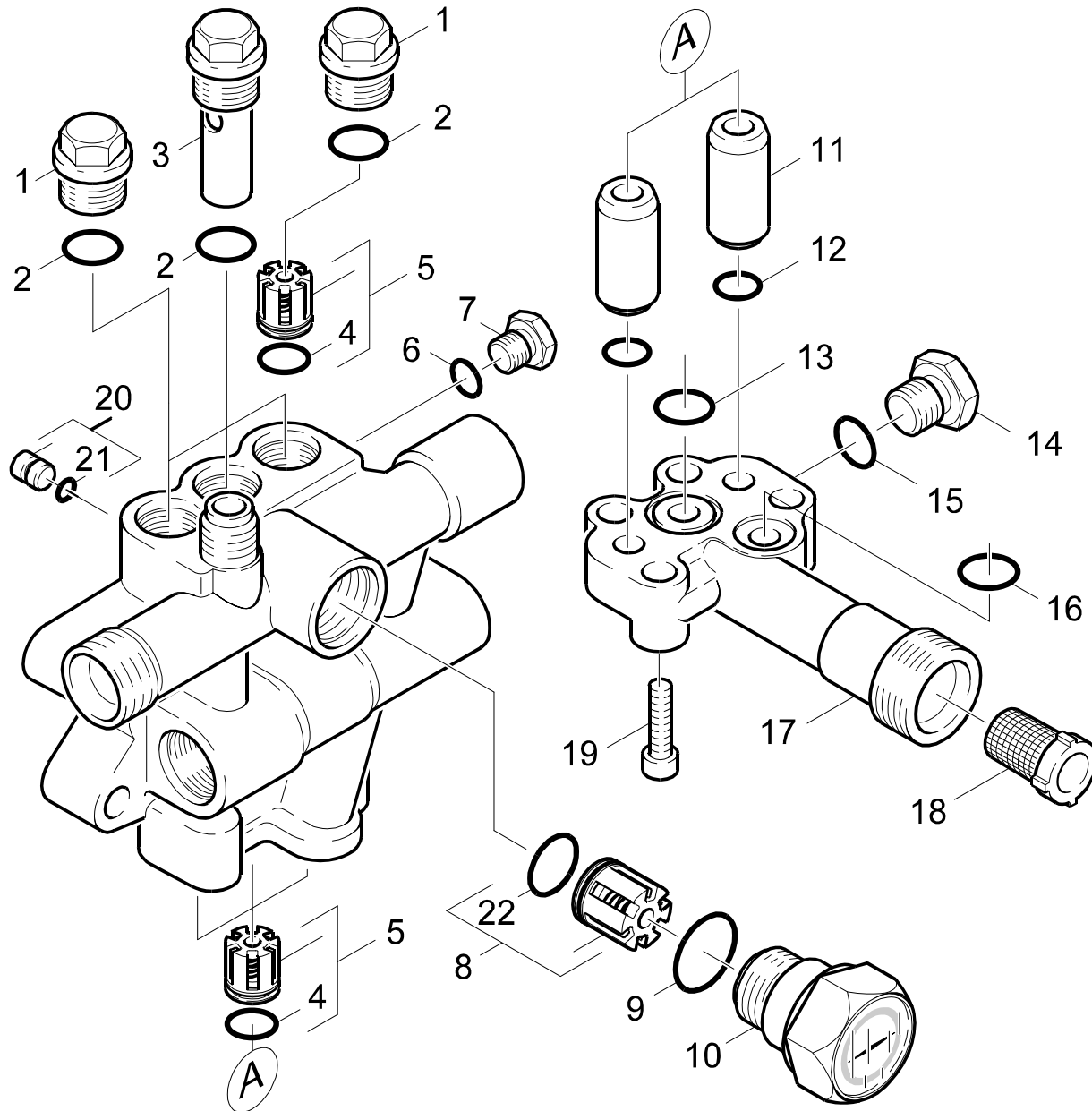
GRUPPE: 2.2 ZYLINDERKOPF  
 GROUP: 2.2 CYLINDER HEAD  
 GROUPE: 2.2 CULASSE

E2

HDS 500 CI

POS. ITM. POS.	BENNENUNG DESCRIPTION DESIGNATION	TEILE-NR. PART-NO. NO.PIECE	STCK QTY. NBR.
1	GRIFF / HANDLE / POIGNEE	5.321-318.0	1
2	SCHLAUCHNIPPEL / HOSE STEM / RACCORD DE FLEXIBLE	5.443-281.0	1
3	O-RING 10,0 X 2,0 / GASKET / BAQUE D'ETANCHEITE	6.362-151.0	1
4	SCHRAUBSTUTZEN / SCREW UNION / RACCORD FILETE	5.402-511.0	1
5	O-RING 6,0 X 2,0 / GASKET / BAQUE D'ETANCHEITE	6.362-383.0	1
6	KUGEL 7,0 / BALL / BOULE	7.401-909.0	1
7	SCHRAUBENFEDER / HELICAL SPRING / RESSORT CYLINDRIQUE	5.332-124.0	1
8	VENTILTELLER KPL / VALVE DISC / TETE DE SOUPAPE	4.582-007.0	1
9	VENTILBOLZEN / VALVE PIN / BOULON DE SOUPAPE	5.584-060.0	1
10	SCHRAUBENFEDER / HELICAL SPRING / RESSORT CYLINDRIQUE	5.332-140.0	1
11	O-RING 12,0 X 2,0 / GASKET / BAQUE D'ETANCHEITE	6.362-169.0	1
12	VENTILSCHRAUBE / VALVE SCREW / VIS POINTEAU (SOUP.)	5.583-096.0	1
13	O-RING KPL./1ST.-R. / GASKET / BAQUE D'ETANCHEITE	6.363-115.0	1
14	O-RING 10 X 1,5 / GASKET / BAQUE D'ETANCHEITE	6.362-482.0	2
15	HUELSE / SLEEVE / DOUILLE	5.110-536.0	1
16	SCHRAUBENFEDER / HELICAL SPRING / RESSORT CYLINDRIQUE	5.332-439.0	1
17	STANGE / BAR / TIGE	5.107-137.0	1
18	O-RING KPL. / GASKET / BAQUE D'ETANCHEITE	6.362-921.0	1
19	KOLBEN / PISTON / PISTON	5.553-303.0	1
20	O-RING 16,0 X 2,4 / GASKET / BAQUE D'ETANCHEITE	6.362-445.0	1
21	VENTILSCHRAUBE / VALVE SCREW / VIS POINTEAU (SOUP.)	5.583-094.0	1
22	DUESENEINSATZ / NOZZLE INSERT / INSERT DE BUSE	5.769-095.0	1
23	O-RING 9,0 X 1,5 / GASKET / BAQUE D'ETANCHEITE	6.362-384.0	2
24	ZYLINDERKOPF KPL. / CYLINDER HEAD / CULASSE	4.550-269.0	1
25	SCHLAUCH DN 5 / HOSE / TUYAU FLEXIBLE	6.390-426.0	1
	<b>ALS METERWARE BESTELLEN/TO ORDER AS CUT GOODS/COMMANDE COMME MARCHANDISE AU METRE</b>		
26	FILTER MIT GEWICHT / FILTER / FILTRE	5.731-609.0	1
100	PUMPENSET HDS 500CI / PUMP SET / GROUPE DE POMPES	2.883-459.0	1

"=> xxxxxx" = bis Werknummer / up to serial No. / jusqu' au No. de fabr. / "xxxxxx =>" = ab Werknummer / from serial No. / a partir du No. de fabr. /



Symbolbeschreibung siehe M16 / symbol description see M16 / désignation de système voir M16 /

GRUPPE: 2.3 VENTILE  
GROUP: 2.3 VALVES  
GROUPE: 2.3 SOUPAPES

G2

HDS 500 CI

POS. ITM. POS.	BENNENUNG DESCRIPTION DESIGNATION	TEILE-NR. PART-NO. NO.PIECE	STCK QTY. NBR.
1	VENTILSCHRAUBE / VALVE SCREW / VIS POINTEAU (SOUP.)	5.583-135.0	2
2	O-RING 11,3 X 2,4 / GASKET / BAQUE D'ETANCHEITE	6.362-170.0	3
3	VENTILSCHRAUBE / VALVE SCREW / VIS POINTEAU (SOUP.)	5.583-134.0	1
4	O-RING 10,82X 1,78 / GASKET / BAQUE D'ETANCHEITE	6.362-845.0	6
5	VENTIL KPL. / VALVE / SOUPAPE	4.580-252.0	6
6	O-RING 6,0 X 2,0 / GASKET / BAQUE D'ETANCHEITE	6.362-113.0	1
7	VERSCHLUSSCHRAUBE / CLOSING SCREW / VIS DE FERMETURE	5.411-113.0	1
8	VENTIL KPL. / VALVE / SOUPAPE	4.580-219.0	1
9	O-RING 17,3 X 2,4 / GASKET / BAQUE D'ETANCHEITE	6.362-160.0	1
10	MANOMETER / PRESSURE GAUGE / MANOMETRE	6.421-182.0	1
11	HUELSE / SLEEVE / DOUILLE	5.110-531.0	2
12	O-RING 11,0 X 2,0 / GASKET / BAQUE D'ETANCHEITE	6.362-458.0	2
13	O-RING 17,0 X 1,5 / GASKET / BAQUE D'ETANCHEITE	6.362-524.0	1
14	VERSCHLUSSCHRAUBE / CLOSING SCREW / VIS DE FERMETURE	5.411-108.0	1
15	O-RING 7,5 X 2,0 / GASKET / BAQUE D'ETANCHEITE	6.362-054.0	1
16	O-RING 12,0 X 1,5 / GASKET / BAQUE D'ETANCHEITE	6.362-527.0	1
17	VENTILGEHAEUSE / VALVE HOUSING / CORPS DE SOUPAPE	5.587-154.0	1
18	SIEB / STRAINER / CREPINE	6.414-252.0	1
19	ZYL.SCHR. M 8X 30 / CHEESE HEAD SCREW / VIS A TETE CYLINDR.	7.306-043.0	4
20	BOLZEN KPL. / BOLT / BOULON	4.316-009.0	1
21	O-RING 3,75X 1,6 / GASKET / BAQUE D'ETANCHEITE	7.362-505.0	1
22	O-RING 13,0 X 2,0 / GASKET / BAQUE D'ETANCHEITE	6.362-381.0	1

"=> xxxxxx" = bis Werknummer / up to serial No. / jusqu' au No. de fabr. / "xxxxxx =>" = ab Werknummer / from serial No. / a partir du No. de fabr. /

GRUPPE: 3.0 MOTOR  
GROUP: 3.0 MOTOR  
GRUPPE: 3.0 MOTEUR

**A3**

**HDS 500 CI**

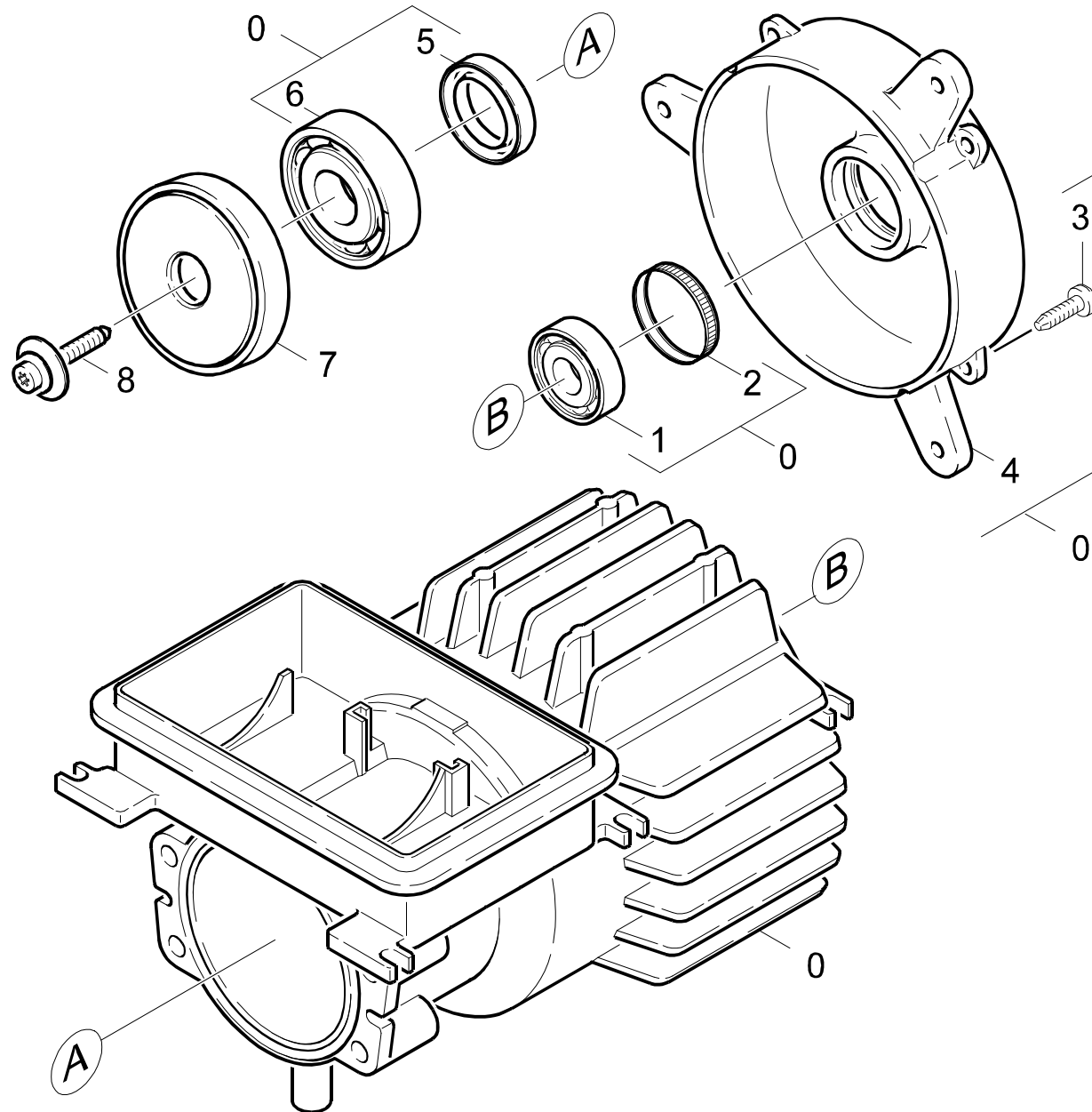
**GRUPPE: 3.0 MOTOR**  
**GROUP: 3.0 MOTOR**  
**GRUPPE: 3.0 MOTEUR**



GRUPPE: 3.1 ANTRIEB  
GROUP: 3.1 GEAR  
GRUPPE: 3.1 ENTRAINEMENT

**B3**

**HDS 500 CI**



Symbolbeschreibung siehe M16 / symbol description see M16 / désignation de système voir M16 /

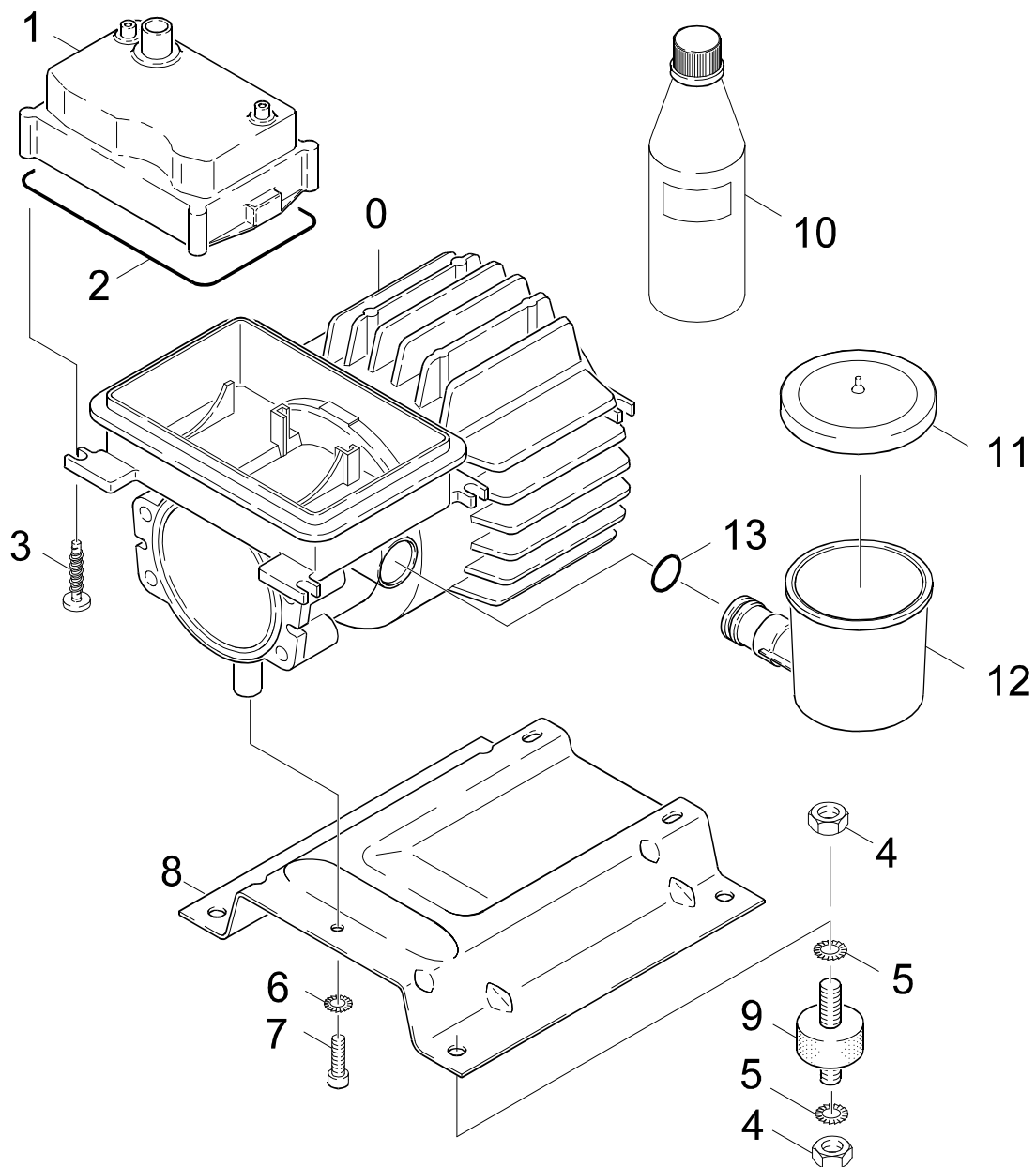
GRUPPE: 3.1 ANTRIEB  
GROUP: 3.1 GEAR  
GRUPPE: 3.1 ENTRAINEMENT

C3

HDS 500 CI

POS.	BENNENUNG	TEILE-NR.	STCK
ITM.	DESCRIPTION	PART-NO.	QTY.
POS.	DESIGNATION	NO.PIECE	NBR.
0	MOTOR KPL. / MOTOR / MOTEUR	4.623-360.0	1
1	RILLENKUGELLAGER / BALL BEARING / ROULEMENT A BILLES	7.401-151.0	1
2	TOLERANZRING 35X6 / TOLERANCE RING / BAGUE	6.343-015.0	1
3	SCHNEIDSCHR. M5X 45 / SELF-TAPPING SCREW / VIS AUTOTARAUDEUSE	6.303-088.0	1
4	DECKEL / COVER / COUVERCLE	5.063-302.0	1
5	RWDR A26 X 37 X 7 / ROTARY SHAFT SEAL / JOINT (ARBRE)	7.367-018.0	1
6	KUGELLAGER 6304 / BALL BEARING / ROULEMENT A BILLE	7.401-155.0	1
7	TAUMELSCHIEBE / SWASH PLATE / DISQUE EN NUTATION	6.401-196.0	1
8	ZYL.SCHR. M 6X 19 / CHEESE HEAD SCREW / VIS A TETE CYLINDR.	6.304-048.0	1

"=> xxxxxx" = bis Werknummer / up to serial No. / jusqu' au No. de fabr. / "xxxxxx =>" = ab Werknummer / from serial No. / a partir du No. de fabr. /



Symbolbeschreibung siehe M16 / symbol description see M16 / désignation de système voir M16 /

GRUPPE: 3.2 MOTOR  
GROUP: 3.2 MOTOR  
GROUPE: 3.2 MOTEUR

E3

HDS 500 CI

POS.	BENNENUNG	TEILE-NR.	STCK
ITM.	DESCRIPTION	PART-NO.	QTY.
POS.	DESIGNATION	NO.PIECE	NBR.
0	MOTOR KPL. / MOTOR / MOTEUR	4.623-360.0	1
1	DECKEL -MOTOR / COVER / COUVERCLE	5.063-548.0	1
2	GUMMIRING / RUBBER RING / RONDELLE CAOUTCHOUC	5.379-015.0	1
3	SCHRAUBE 5,0X 20 / SCREW / VIS	6.303-125.0	4
4	6KT-MUTTER M 8 / HEXAGON NUT / ECROU HEXAGONAL	7.311-004.0	8
5	ZAHNSCHEIBE A 8,4 / LOCK WASHER / ROUE PLATE	7.312-166.0	8
6	ZAHNSCHEIBE A 5,3 / LOCK WASHER / ROUE PLATE	7.312-172.0	3
7	SCHRAUBE M 5X 16 / SCREW / VIS	7.303-039.0	3
8	GRUNDPLATTE / BASE PLATE / PLAQUE DE BASE	5.051-016.0	1
9	GUMMIPUFFER / RUBBER BUFFER / BUTOIR CAOUTCHOUC	6.339-095.0	4
10	MOTORENOEL 1L / ENGINE OIL / HUILE (MOTEUR)	6.288-050.0	1
11	DECKEL / COVER / COUVERCLE	5.063-237.0	1
12	BEHAELTER (OEL) / TANK / BAC	5.070-089.0	1
13	O-RING 18,0 X 2,5 / GASKET / BAQUE D'ETANCHEITE	6.362-079.0	1

"=> xxxxxx" = bis Werknummer / up to serial No. / jusqu' au No. de fabr. / "xxxxxx =>" = ab Werknummer / from serial No. / a partir du No. de fabr. /

**GRUPPE: 4.0 GEBLAESE**  
**GROUP: 4.0 BLOWER**  
**GRUPPE: 4.0 VENTILATEUR**

**A4**

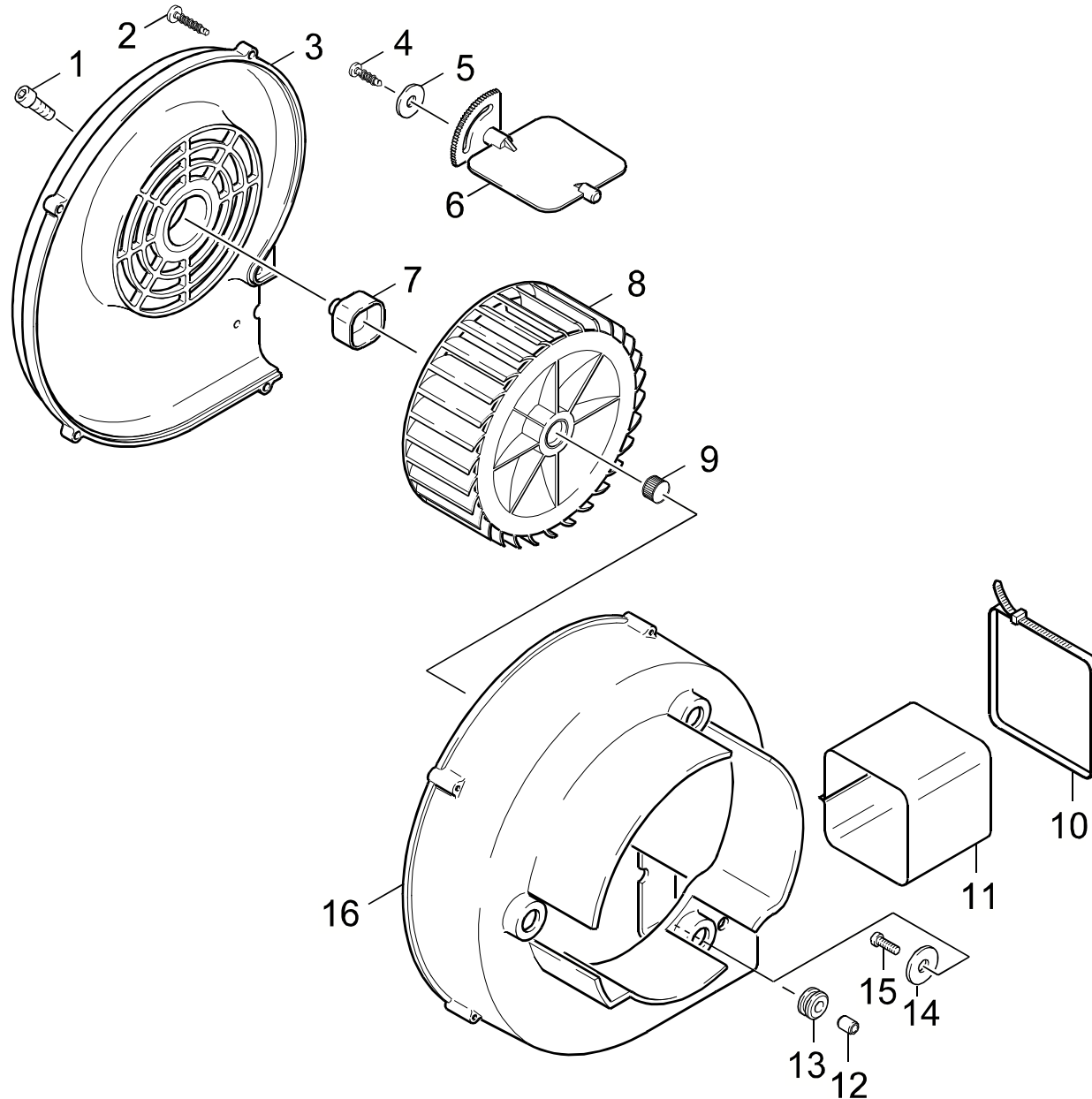
**HDS 500 CI**

**GRUPPE: 4.0 GEBLAESE**  
**GROUP: 4.0 BLOWER**  
**GRUPPE: 4.0 VENTILATEUR**

GRUPPE: 4.0 GEBLAESE  
GROUP: 4.0 BLOWER  
GRUPPE: 4.0 VENTILATEUR

**B4**

**HDS 500 CI**



Symbolbeschreibung siehe M16 / symbol description see M16 / désignation de système voir M16 /

GRUPPE: 4.0 GEBLAESE  
GROUP: 4.0 BLOWER  
GROUPE: 4.0 VENTILATEUR

C4

HDS 500 CI

POS. ITM. POS.	BENNENNUNG DESCRIPTION DESIGNATION	TEILE-NR. PART-NO. NO.PIECE	STCK QTY. NBR.
1	SCHRAUBE M 6X 16 / SCREW / VIS	7.306-090.0	1
2	LINSENSCHR. 4,0X25 / OVAL HEAD SCREW / VIS A TETE BOMBEE	6.303-089.0	5
3	DECKEL / COVER / COUVERCLE	5.063-274.0	1
4	BL.SCHR. ST4,8X16 / SHEET METAL SCREW / VIS A TOLE	7.303-077.0	1
5	SCHEIBE 5 / WASHER / RONDELLE	7.312-278.0	1
6	LUFTKLAPPE / AIR FLAP / VOLET D'ADMIS.D'AIR	5.606-002.0	1
7	KUPPLUNGSTEIL / COUPLING ELEMENT / PIECE D'ACCOUPL.	5.471-060.0	1
8	LAUFRAD / FAN WHEEL / ROUE DE VENTILATEUR	5.600-021.0	1
9	TOLERANZRING D14X8 / TOLERANCE RING / BAGUE	6.343-166.0	1
10	SPANNBAND / BANNER / BANDEROLE	6.388-608.0	2
11	TUCHMANSCHETTE / CLOTH COLLAR / MANCHETTE	5.178-020.0	1
12	HUELSE / SLEEVE / DOUILLE	5.110-306.0	3
13	GUMMIRING / RUBBER RING / RONDELLE CAOUTCHOUC	5.379-011.0	3
14	SCHEIBE 5 / WASHER / RONDELLE	7.312-264.0	3
15	SCHNEIDSCHR. M5X 20 / SELF-TAPPING SCREW / VIS AUTOTARAUEUSE	6.303-076.0	3
16	GEHAEUSE / HOUSING / BOITIER	5.605-119.0	1

"=> xxxxxx" = bis Werknummer / up to serial No. / jusqu' au No. de fabr. / "xxxxxx =>" = ab Werknummer / from serial No. / a partir du No. de fabr. /

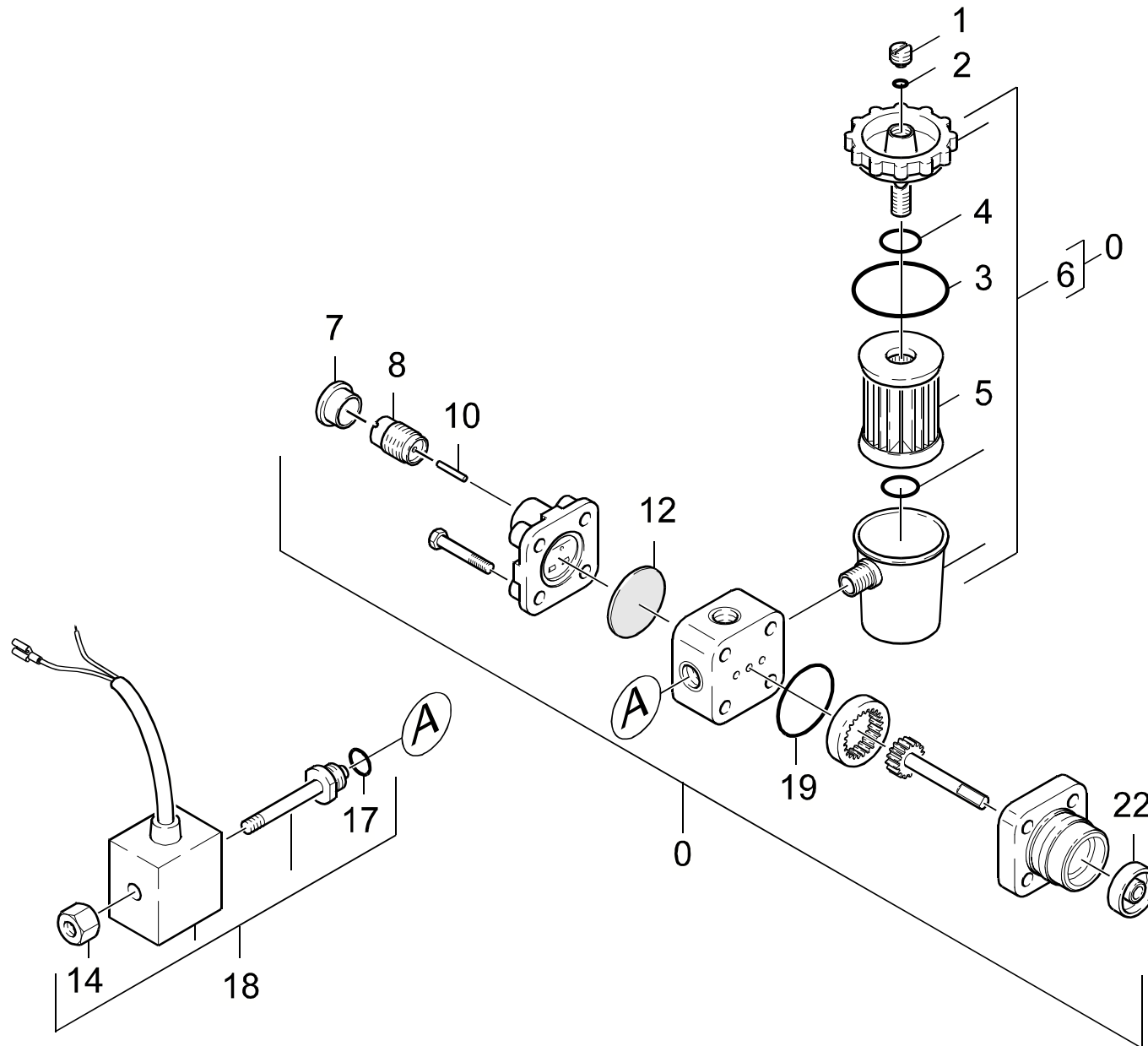
GRUPPE: 5.0 BRENNSTOFFPUMPE  
GROUP: 5.0 FUEL PUMP  
GRUPPE: 5.0 POMPE DE COMBUSTIBLE

**A5**

**HDS 500 CI**

**GRUPPE: 5.0 BRENNSTOFFPUMPE**  
**GROUP: 5.0 FUEL PUMP**  
**GRUPPE: 5.0 POMPE DE COMBUSTIBLE**





Symbolbeschreibung siehe M16 / symbol description see M16 / désignation de système voir M16 /

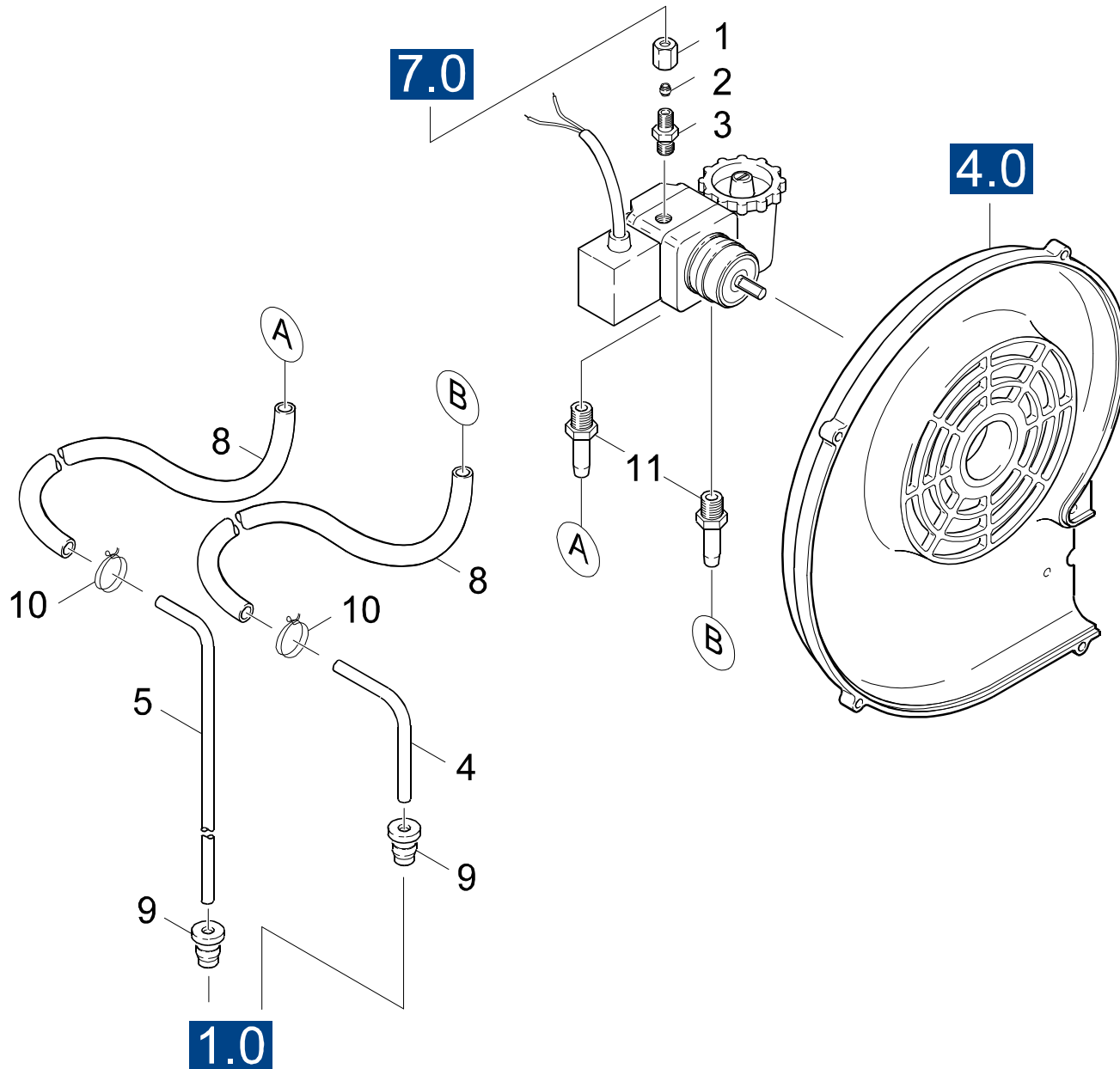
GRUPPE: 5.1 BRENNSTOFFPUMPE  
GROUP: 5.1 FUEL PUMP  
GROUPE: 5.1 POMPE DE COMBUSTIBLE

C5

HDS 500 CI

POS. ITM. POS.	BENNENUN G DESCRIPTION DESIGNATION	TEILE-NR. PART-NO. NO.PIECE	STCK QTY. NBR.
0	BRENNSTOFFPUMPE / FUEL PUMP / POMPE DE COMBUSTIBLE	6.472-925.0	1
1	ENTLUEFTUNGSSCHR. / VENT SCREW / VIS D'AIR	6.472-107.0	1
2	O-RING 5,0 X 1,8 / GASKET / BAQUE D'ETANCHEITE	6.472-106.0	1
3	O-RING 32,0 X 1,6 / GASKET / BAQUE D'ETANCHEITE	6.472-111.0	1
4	O-RING 10,0 X 2,4 / GASKET / BAQUE D'ETANCHEITE	6.472-112.0	1
5	FILTEREINSATZ / FILTER CARTRIDGE / CARTOUCHE FILTRANTE	6.472-113.0	1
6	FILTERGEHAEUSE KPL. / FILTER CASE / BATI DE FILTRE	6.472-123.0	1
7	SCHUTZKAPPE / PROTECTING CAP / CAPOT PROTECTION	6.472-122.0	1
8	FEDERGEHAEUSE / SPRING HOUSING / BARILLET	6.472-109.0	1
10	STIFT / PIN / CHEVILLE	6.472-108.0	1
12	MEMBRANE / DIAPHRAGM / MEMBRANE	6.472-128.0	1
14	RAENDELMUTTER / KNURLED NUT / ECROU MOLETE	6.472-340.0	1
17	O-RING 12,0 X 1,5 / GASKET / BAQUE D'ETANCHEITE	6.472-125.0	1
18	MAGNETVENTIL KPL. / SOLENOID VALVE / ELECTROVANNE	6.472-918.0	1
19	O-RING 28,5 X 1,6 / GASKET / BAQUE D'ETANCHEITE	6.472-120.0	1
22	ACHSENDICHTUNG / SHAFT SEAL / ETOUPAGE D'ESSIEU	6.472-105.0	1

"=> xxxxxx" = bis Werknummer / up to serial No. / jusqu' au No. de fabr. / "xxxxxx =>" = ab Werknummer / from serial No. / a partir du No. de fabr. /



Symbolbeschreibung siehe M16 / symbol description see M16 / désignation de système voir M16 /

GRUPPE: 5.2 BRENNSTOFFPUMPE  
GROUP: 5.2 FUEL PUMP  
GRUPPE: 5.2 POMPE DE COMBUSTIBLE

E5

HDS 500 CI

POS. ITM. POS.	BENNENUNG DESCRIPTION DESIGNATION	TEILE-NR. PART-NO. NO.PIECE	STCK QTY. NBR.
1	UE-MUTTER A 4-LL / UNION NUT / ECROU RACOURD	6.389-262.0	1
2	SCHNEIDRING D.4 / CUTTING RING / BAGUE COUPANTE	6.389-263.0	1
3	SCHRAUBSTUTZEN / SCREW UNION / RACCORD FILETE	6.389-261.0	1
4	RUECKLAUF F. KRAFT / BARREL RECOIL / REFLUX	5.028-533.0	1
5	SAUGROHR F. KRAFT. / SUCTION TUBE / TUYAU D'ASPIRATION	5.028-534.0	1
8	SCHLAUCH / HOSE / TUYAU FLEXIBLE	6.389-721.0	2
	<b>ALS METERWARE BESTELLEN/TO ORDER AS CUT GOODS/COMMANDE COMME MARCHANDISE AU METRE</b>		
9	PROFILDICHTUNG / SEAL / ETOUPE PROFILE	5.365-145.0	2
10	SCHLAUCHSCHELLE / HOSE BAND CLIP / COLLIER DE SERRAGE	6.389-567.0	2
11	SCHLAUCHNIPPEL / HOSE STEM / RACCORD DE FLEXIBLE	6.472-927.0	2

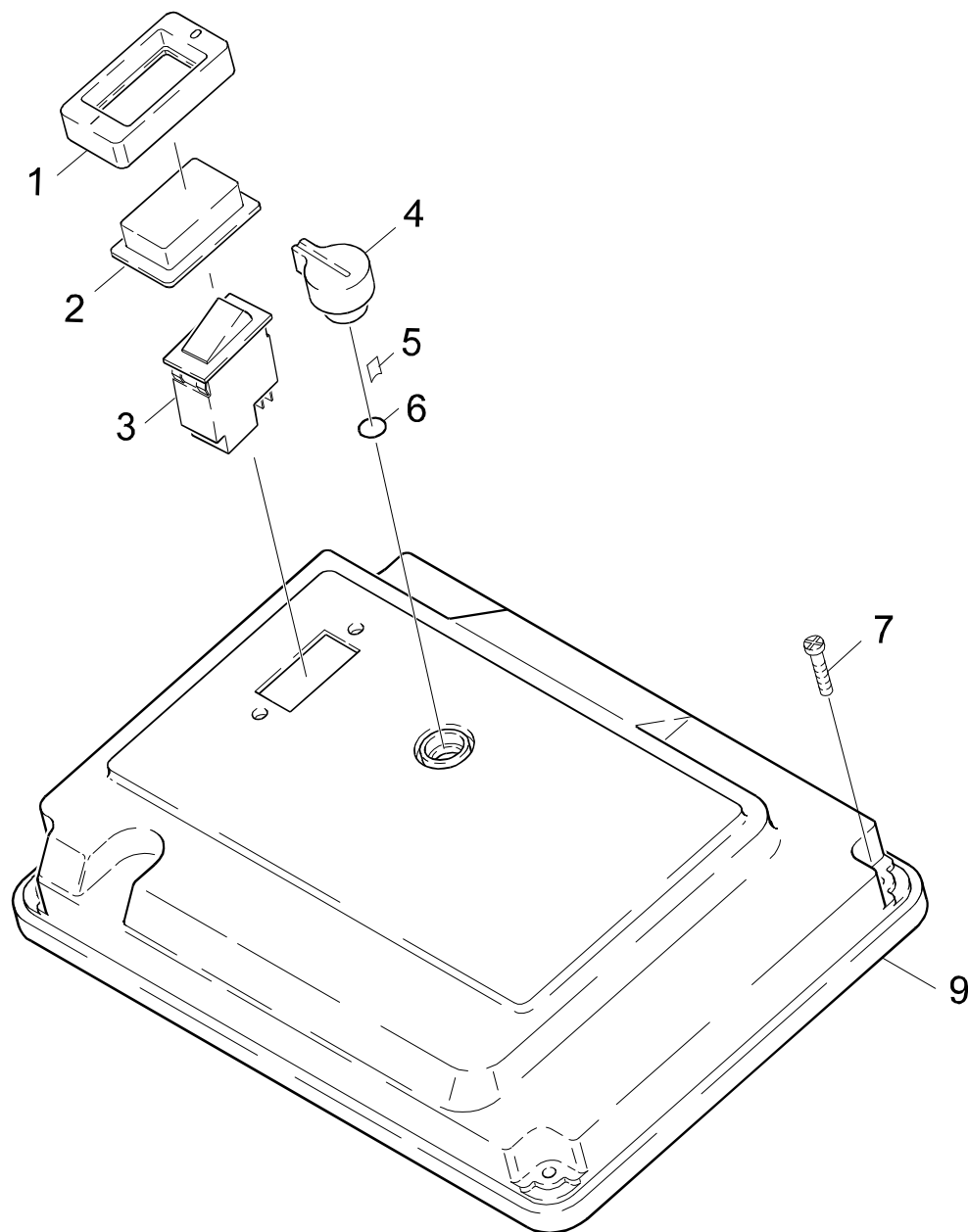
"=> xxxxxx" = bis Werknummer / up to serial No. / jusqu' au No. de fabr. / "xxxxxx =>" = ab Werknummer / from serial No. / a partir du No. de fabr. /

**GRUPPE: 6.0 E-GERAETESCHRANK**  
**GROUP: 6.0 ELECTRIC CONTROL BOX**  
**GRUPPE: 6.0 COFFRET ELECTRIQUE**

**A6**

**HDS 500 CI**

**GRUPPE: 6.0 E-GERAETESCHRANK**  
**GROUP: 6.0 ELECTRIC CONTROL BOX**  
**GRUPPE: 6.0 COFFRET ELECTRIQUE**



Symbolbeschreibung siehe M16 / symbol description see M16 / désignation de système voir M16 /

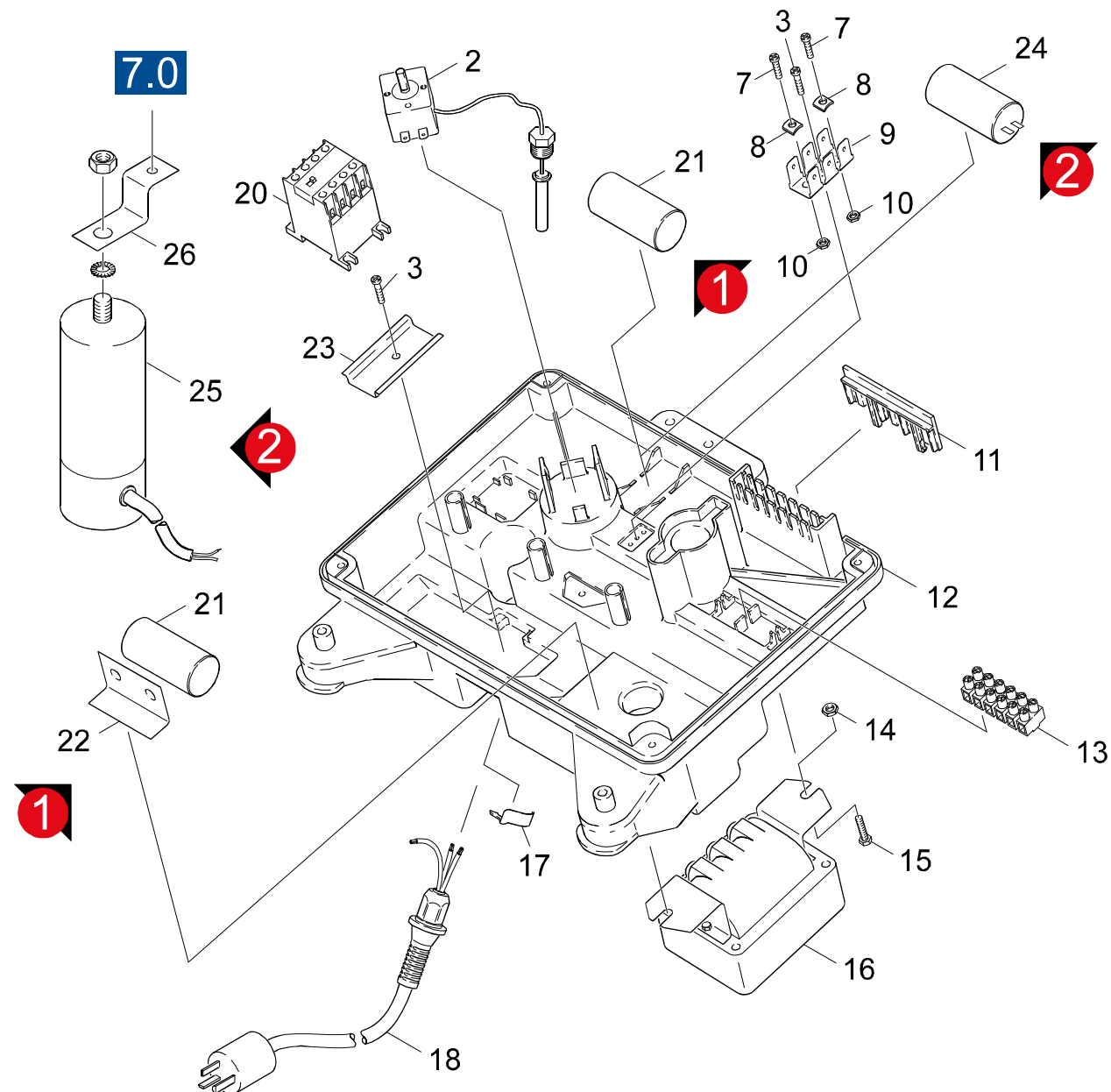
GRUPPE: 6.1 INSTRUMENTENTAFEL  
GROUP: 6.1 CONTROL PANEL  
GROUPE: 6.1 TABLEAU DE BORD

C6

HDS 500 CI

POS. ITM. POS.	BENNENUNG DESCRIPTION DESIGNATION	TEILE-NR. PART-NO. NO.PIECE	STCK QTY. NBR.
1	RAHMEN / FRAME / CADRE	5.050-061.0	1
2	SCHUTZHAUBE / PROTECTIVE CAP / CAPOT PROTECTEUR	6.631-469.0	1
3	WIPPSCHALTER 20A / ROCKER SWITCH / COMMUTAT. A BASCULE	6.631-811.0	1
4	GRIFF / HANDLE / POIGNEE	5.321-449.0	1
5	KLEMMFEDER / SPRING / RESSORT DE FRICTION	6.313-014.0	1
6	O-RING 13,3 X 2,4 / GASKET / BAQUE D'ETANCHEITE	6.362-078.0	1
7	SCHRAUBE 5X16 / SCREW / VIS	6.303-155.0	4
9	INSTRUMENTENTAFEL / CONTROL PANEL / TABLEAU DE BORD	5.841-300.0	1

"=> xxxxxx" = bis Werknummer / up to serial No. / jusqu' au No. de fabr. / "xxxxxx =>" = ab Werknummer / from serial No. / a partir du No. de fabr. /



Symbolbeschreibung siehe M16 / symbol description see M16 / désignation de système voir M16 /



GRUPPE: 6.2 MONTAGEPLATTE  
 GROUP: 6.2 ASSEMBLY PLATE  
 GROUPE: 6.2 PLAQUE DE MONTAGE

**E6**

**HDS 500 CI**

POS. ITM. POS.	BENNENNUNG DESCRIPTION DESIGNATION	TEILE-NR. PART-NO. NO.PIECE	STCK QTY. NBR.
2	TEMPERATURREGLER / THERMOSTAT / THERMOSTAT	6.685-871.0	1
3	SCHRAUBE 4,0X 12 / SCREW / VIS	6.303-170.0	2
7	SCHRAUBE M 4X 16 / SCREW / VIS	7.303-033.0	2
8	KLEMMSCHEIBE 4 / CLAMPIUNG DISC / DISQUE DE SERRAGE	6.641-804.0	2
9	FLACHSTECKER / PLUG / FICHE PLATE	6.641-270.0	1
10	6KT-MUTTER M 4 / HEXAGON NUT / ECROU HEXAGONAL	7.311-001.0	2
11	KLEMMTEIL / CLAMP / PLAQUE DE SERRAGE	5.030-975.0	1
12	MONTAGEPLATTE / ASSEMBLY PLATE / PLAQUE DE MONTAGE	5.801-114.0	1
13	KLEMMLEISTE / STRIP TERMINAL / BORNE PLATE	6.643-249.0	1
14	6KT-MUTTER M 6 / HEXAGON NUT / ECROU HEXAGONAL	7.311-425.0	1
15	6KT-SCHR. M 6X 25 / HEXAGONAL HEAD SCREW / VIS HEXAGONAL	7.304-386.0	1
16	ZUENDTRAFO 110 V / TRANSFORMER / TRANSFORMATEUR	6.622-178.0	1
17	SICHERUNGSClip / SECURING CLIP / CLIP	6.343-170.0	1
18	KABEL MIT STECKER / CABLE / CABLE	6.647-555.0	1
20	SCHUETZ 120V / CONTACTOR / CONTACTEUR	6.632-180.0	1
21	KONDENSATOR 50MUEF / CAPACITOR / CONDENSATEUR	6.661-191.0	2
	<b>VERSION 1</b>		
	<b>/ 4.623-292.0</b>		
22	HALTER / BRACKET / FIXATION	5.042-883.0	1
	<b>VERSION 1</b>		
23	MONTAGETEIL / MOUNTING PART / PIECE MONTAGE	5.802-222.0	1
24	BETRIEBSKONDENSATOR / CAPACITOR / CONDENS. DE SERVICE	6.661-085.0	1
	<b>VERSION 2</b>		
	<b>/ 4.623-360.0</b>		
25	KONDENSATOR / CAPACITOR / CONDENSATEUR	6.661-197.0	1
	<b>VERSION 2</b>		
26	HALTER / BRACKET / FIXATION	5.042-864.0	1
	<b>VERSION 2</b>		

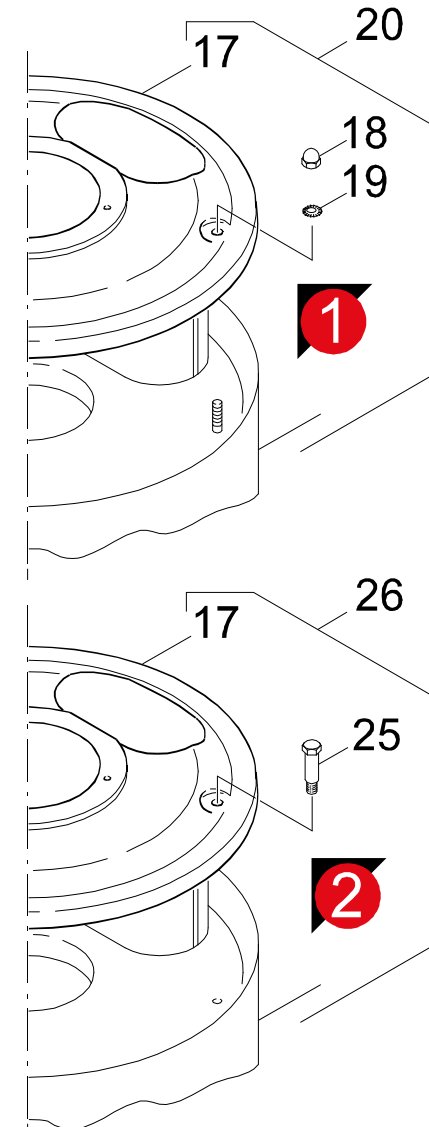
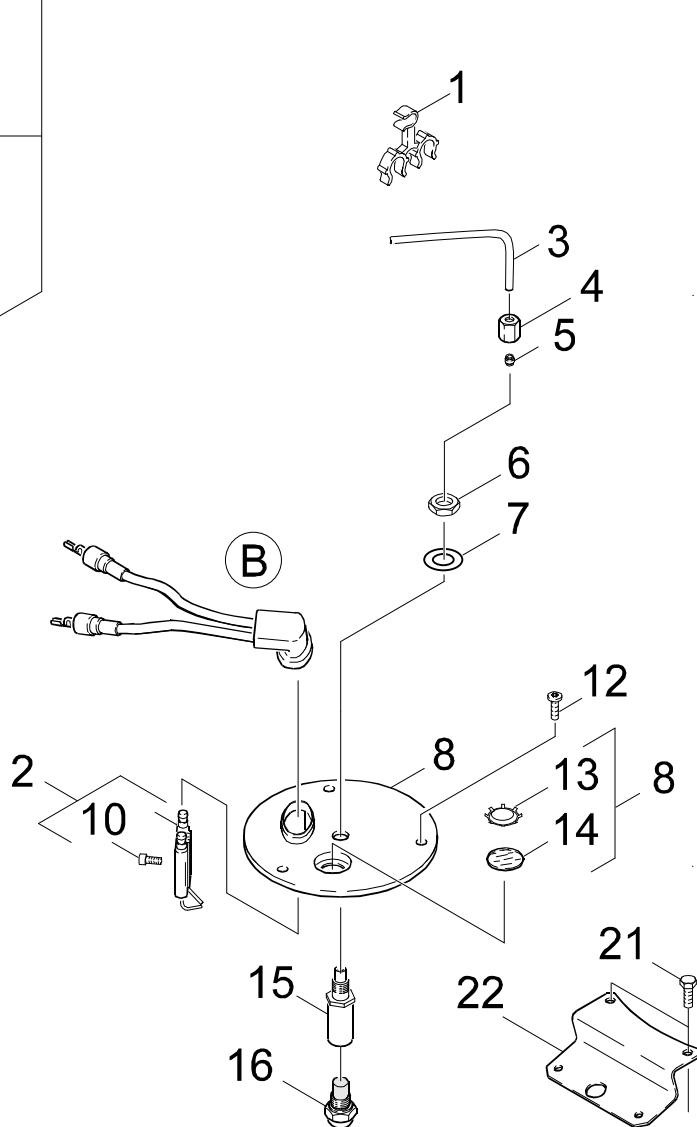
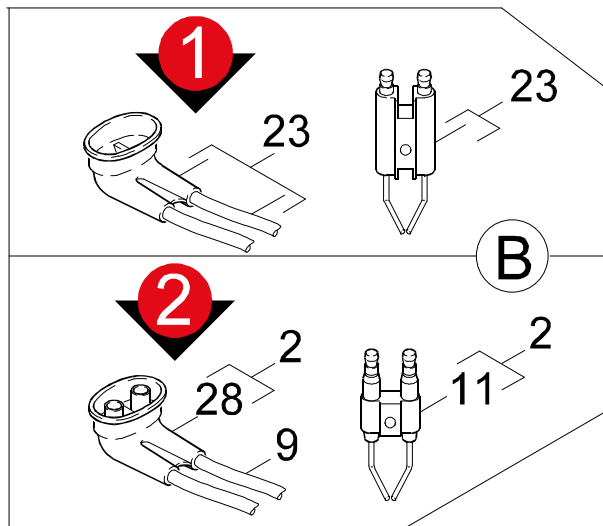
"=> xxxxxx" = bis Werknummer / up to serial No. / jusqu' au No. de fabr. / "xxxxxx =>" = ab Werknummer / from serial No. / a partir du No. de fabr. /

GRUPPE: 7.0 DURCHLAUFERHITZER  
GROUP: 7.0 FLOW HEATER  
GRUPPE: 7.0 CHAUFFE-EAU RAPIDE

**A7**

**HDS 500 CI**

**GRUPPE: 7.0 DURCHLAUFERHITZER**  
**GROUP: 7.0 FLOW HEATER**  
**GRUPPE: 7.0 CHAUFFE-EAU RAPIDE**



Symbolbeschreibung siehe M16 / symbol description see M16 / désignation de système voir M16 /

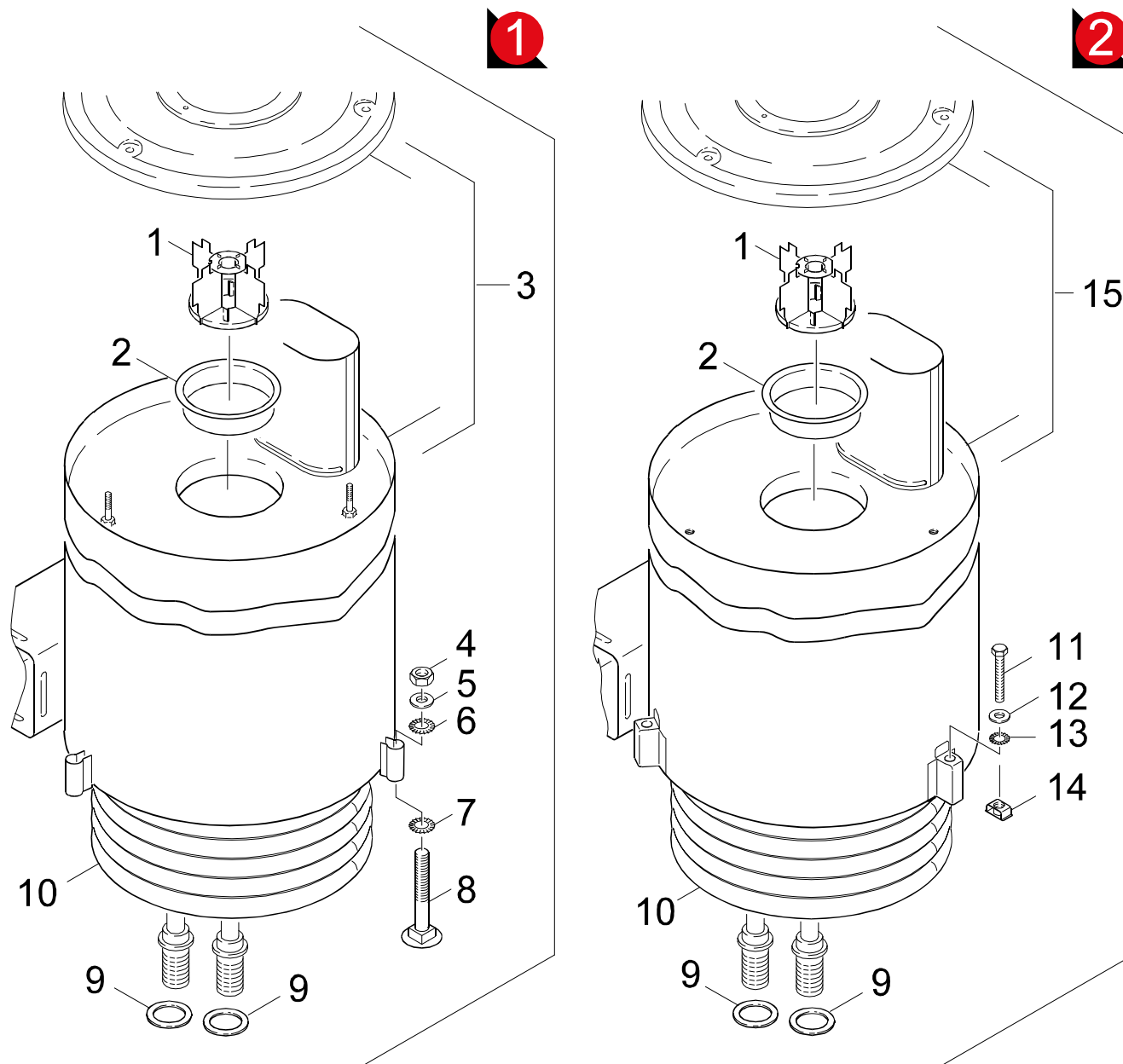
GRUPPE: 7.1 BRENNERDECKEL  
 GROUP: 7.1 BURNER COVER  
 GROUPE: 7.1 COUVERCLE BRULEUR

C7

HDS 500 CI

POS. ITM. POS.	BENNENUNG DESCRIPTION DESIGNATION	TEILE-NR. PART-NO. NO.PIECE	STCK QTY. NBR.
1	HALTER / BRACKET / FIXATION	6.647-527.0	1
2	UBS ZUENDELEKTRODE / CONVERSION KIT / KIT DE MODIFIC.	2.638-974.0	1
3	LEITUNGSROHR / PIPE / TUBE CONDUCTEUR	5.423-140.0	1
4	UE-MUTTER A 4-LL / UNION NUT / ECROU RACOURD	6.389-262.0	1
5	SCHNEIDRING D.4 / CUTTING RING / BAGUE COUPANTE	6.389-263.0	1
6	6KT-MUTTER M10X1 / HEXAGON NUT / ECROU HEXAGONAL	7.311-101.0	1
7	FEDERSCHEIBE B 10,0 / WASHER / RONDELLE ELAST.	7.312-302.0	1
8	UBS BRENNERDECKEL / CONVERSION KIT / KIT DE MODIFIC.	2.882-392.0	1
9	ZUENDKABEL KPL. / IGNITION CABLE / FIL D'AMORCE	4.821-071.0	1
10	LINSENSCHR. M 5X 14 / OVAL HEAD SCREW / VIS A TETE BOMBEE	7.306-328.0	1
11	ET-SET NEUTRAL / SPARE PARTS SET / JEU DE PIECES DECHANGE	2.884-085.0	1
12	SCHRAUBE M 5X 12 / SCREW / VIS	7.303-038.0	3
13	ZACKENRING / RING / ANNEAU	6.343-165.0	1
14	GLASSCHEIBE / GLASS PANE / VITRE	6.278-018.0	1
15	DUESENHALTER / NOZZLE HOLDER / PORTE - BUSE	5.667-055.0	1
16	DUESE 0,85 60 GRAD / NOZZLE / BUSE	6.415-492.0	1
17	DECKEL D.K. / COVER / COUVERCLE	4.654-196.0	1
18	HUTMUTTER M 6 / CAP NUT / ECROU BORGNE	7.311-380.0	3
	<b>VERSION 1/VERSION 1/VERSION 1</b>		
19	ZAHNSCHEIBE A 6,4 / LOCK WASHER / ROUE PLATE	7.312-167.0	3
	<b>VERSION 1/VERSION 1/VERSION 1</b>		
20	AUSSENMANTEL / OUTER JACKET / ENVELOPPE	4.652-086.0	1
	<b>VERSION 1/VERSION 1/VERSION 1</b>		
21	SCHRAUBE M 6X 16 / SCREW / VIS	7.306-090.0	2
22	FORMTEIL / MOULDED PART / PREFORME	5.030-985.0	1
23	UBS ZUENDKABEL / CONVERSION KIT / KIT DE MODIFIC.	2.638-976.0	1
25	SCHNEIDSCHRAUBE / SELF-TAPPING SCREW / VIS AUTOTARAUEUSE	6.303-258.0	3
	<b>VERSION 2/VERSION 2/VERSION 2</b>		
26	AUSSENMANTEL / OUTER JACKET / ENVELOPPE	4.652-112.0	1
	<b>VERSION 2/VERSION 2/VERSION 2</b>		
28	SCHUTZKAPPE / PROTECTING CAP / CAPOT PROTECTION	5.394-470.0	1

"=> xxxxxx" = bis Werknummer / up to serial No. / jusqu' au No. de fabr. / "xxxxxx =>" = ab Werknummer / from serial No. / a partir du No. de fabr. /



Symbolbeschreibung siehe M16 / symbol description see M16 / désignation de système voir M16 /

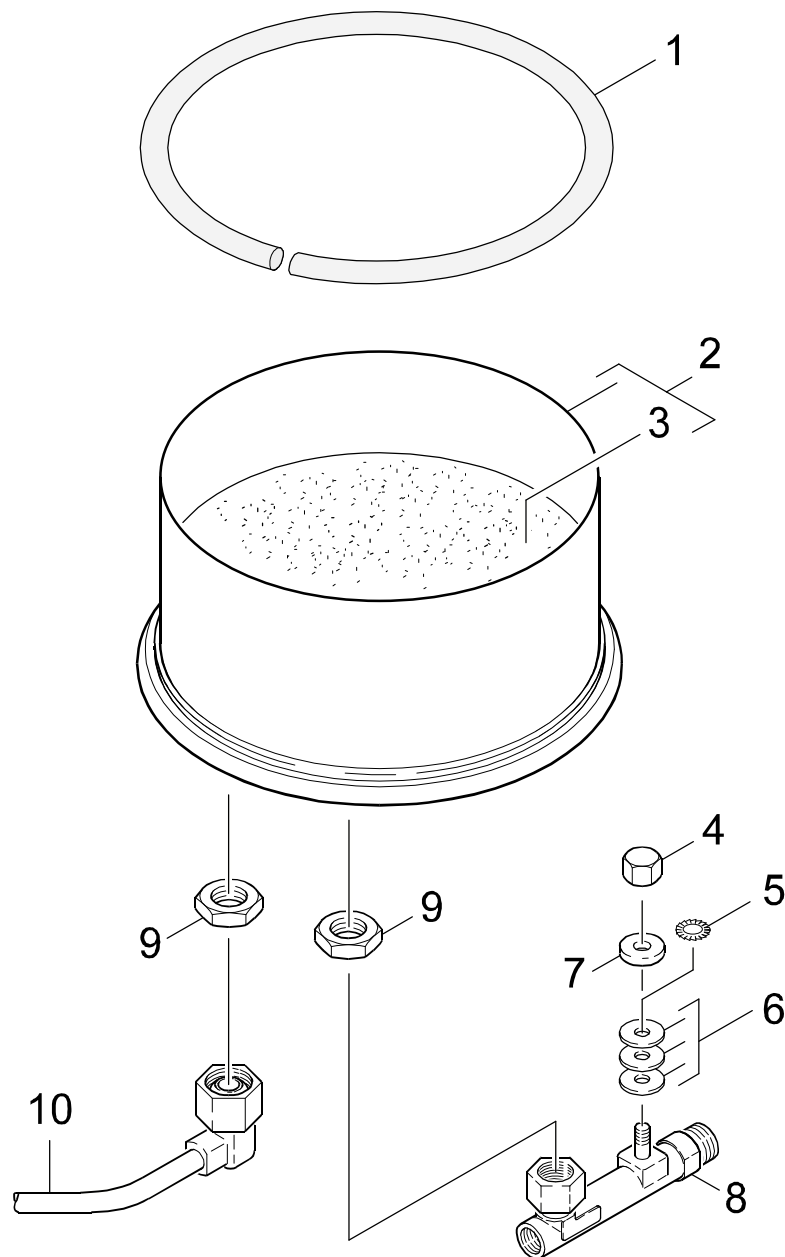
GRUPPE: 7.2 HEIZSCHLANGE  
GROUP: 7.2 HEATING COIL  
GROUPE: 7.2 SERPENTIN

E7

HDS 500 CI

POS. ITM. POS.	BENNENUNG DESCRIPTION DESIGNATION	TEILE-NR. PART-NO. NO.PIECE	STCK QTY. NBR.
1	BRENNEREINSATZ / BURNER CAGE / BRULEUR CAGE	4.663-073.0	1
2	BRENNERTEIL / BURNER PART / PIECE DE BRULEUR	5.664-211.0	1
3	AUSSENMANTEL / OUTER JACKET / ENVELOPPE	4.652-086.0	1
	<b>VERSION 1/VERSION 1/VERSION 1</b>		
4	6KT-MUTTER M 8 / HEXAGON NUT / ECROU HEXAGONAL	7.311-510.0	3
	<b>VERSION 1/VERSION 1/VERSION 1</b>		
5	SCHEIBE 8 / WASHER / RONDELLE	7.312-277.0	4
	<b>VERSION 1/VERSION 1/VERSION 1</b>		
6	ZAHNSCHEIBE A 10,5 / LOCK WASHER / ROUE PLATE	7.312-160.0	1
	<b>VERSION 1/VERSION 1/VERSION 1</b>		
7	ZAHNSCHEIBE A 13,0 / LOCK WASHER / ROUE PLATE	7.312-169.0	2
	<b>VERSION 1/VERSION 1/VERSION 1</b>		
8	FL.RD.SCHR. M 8X 55 / SAUCER-HEAD SCREW / BOULON A TETE BOMBEE	7.303-165.0	3
	<b>VERSION 1/VERSION 1/VERSION 1</b>		
9	PROFILDICHTUNG / SEAL / ETOUPE PROFILE	5.365-068.0	2
10	HEIZSCHLANGE / HEATING COIL / SERPENTIN	4.680-122.0	1
11	6KT-SCHR. M 8X 60 / HEXAGONAL HEAD SCREW / VIS HEXAGONAL	7.304-096.0	3
	<b>VERSION 2/VERSION 2/VERSION 2</b>		
12	SCHEIBE 8 / WASHER / RONDELLE	7.312-004.0	3
	<b>VERSION 2/VERSION 2/VERSION 2</b>		
13	ZAHNSCHEIBE A 8,4 / LOCK WASHER / ROUE PLATE	7.312-166.0	3
	<b>VERSION 2/VERSION 2/VERSION 2</b>		
14	KAFIGMUTTER M 8 / NUT / ECROU	6.310-081.0	3
	<b>VERSION 2/VERSION 2/VERSION 2</b>		
15	AUSSENMANTEL / OUTER JACKET / ENVELOPPE	4.652-112.0	1
	<b>VERSION 2/VERSION 2/VERSION 2</b>		

"=> xxxxxx" = bis Werknummer / up to serial No. / jusqu' au No. de fabr. / "xxxxxx =>" = ab Werknummer / from serial No. / a partir du No. de fabr. /



Symbolbeschreibung siehe M16 / symbol description see M16 / désignation de système voir M16 /

GRUPPE: 7.3 BRENNERBODEN  
GROUP: 7.3 BURNER BOTTOM  
GRUPPE: 7.3 FOND DE BRULEUR

**G7**

**HDS 500 CI**

POS.	BENNENUNG	TEILE-NR.	STCK
ITM.	DESCRIPTION	PART-NO.	QTY.
POS.	DESIGNATION	NO.PIECE	NBR.
1	DICHTSCHNUR / SEAL STRING / CORDE DE BOURRAGE	6.366-009.0	1
2	BODEN D.K. / BOTTOM / FOND	4.655-052.0	1
3	STAMPFMASSE 8KG / REFRACTORY MATERIAL / PISE REFRACT. DAME	2.889-061.0	8
4	6KT-MUTTER M 8 / HEXAGON NUT / ECROU HEXAGONAL	7.311-004.0	1
5	ZAHNSCHEIBE A 13,0 / LOCK WASHER / ROUE PLATE	7.312-169.0	2
6	SCHEIBE 10 / WASHER / RONDELLE	7.312-005.0	3
7	SCHEIBE 8 / WASHER / RONDELLE	7.312-277.0	1
8	KNOTENSTUECK / MANIFOLD / FERRURE NODALE	4.427-123.0	1
9	6KT-MUTTER M22X1,5 / HEXAGON NUT / ECROU HEXAGONAL	7.311-155.0	2
10	ROHRLEITUNG / PIPELINES / CONDUITE	4.421-064.0	1

"=> xxxxxx" = bis Werknummer / up to serial No. / jusqu' au No. de fabr. / "xxxxxx =>" = ab Werknummer / from serial No. / a partir du No. de fabr. /

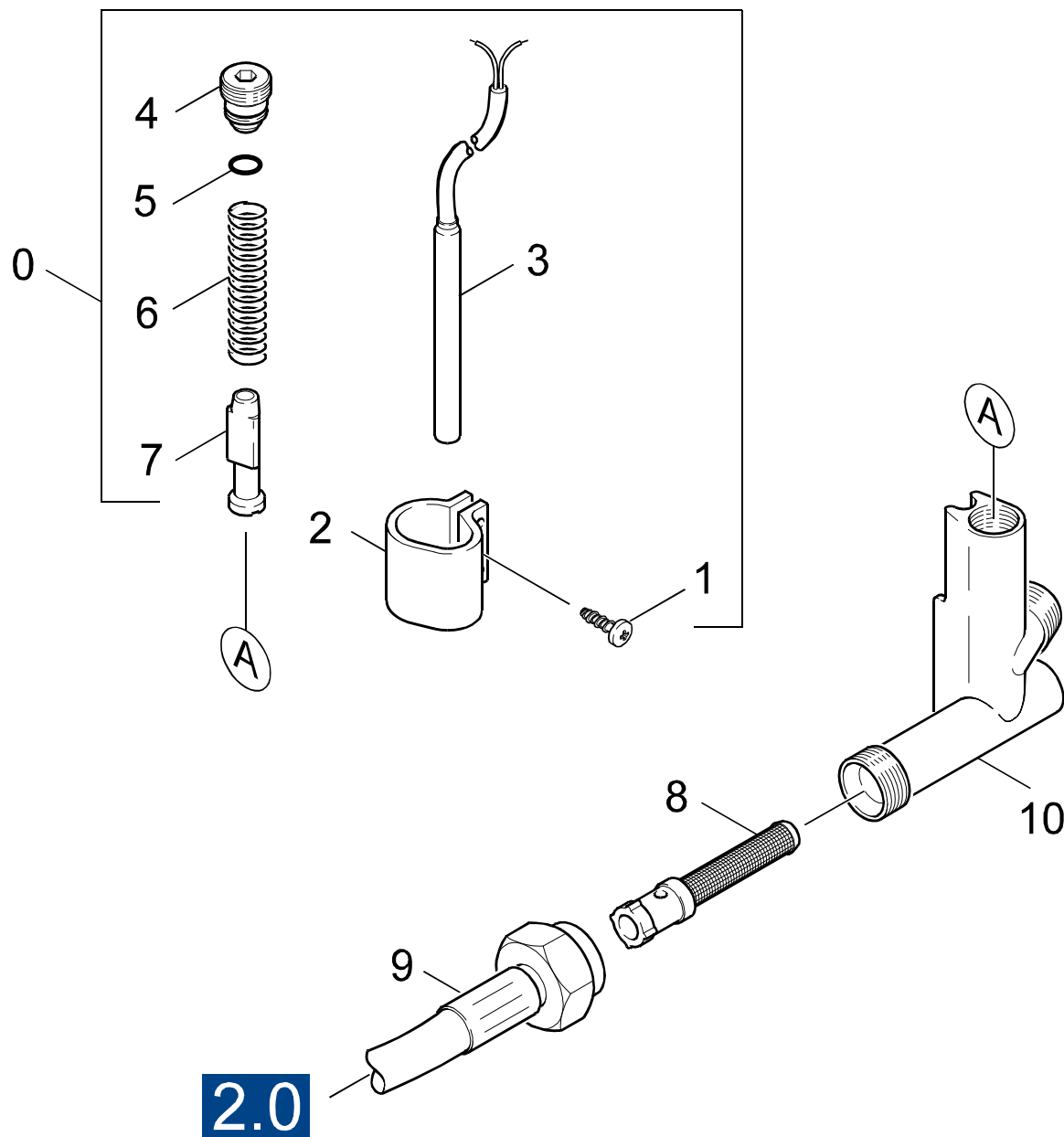


**GRUPPE: 8.0 SICHERHEITSBLOCK**  
**GROUP: 8.0 SAFETY SYSTEM**  
**GRUPPE: 8.0 BLOC DE SECURITE**

**A8**

**HDS 500 CI**

**GRUPPE: 8.0 SICHERHEITSBLOCK**  
**GROUP: 8.0 SAFETY SYSTEM**  
**GRUPPE: 8.0 BLOC DE SECURITE**



Symbolbeschreibung siehe M16 / symbol description see M16 / désignation de système voir M16 /

GRUPPE: 8.0 SICHERHEITSBLOCK  
GROUP: 8.0 SAFETY SYSTEM  
GROUPE: 8.0 BLOC DE SECURITE

C8

HDS 500 CI

POS.	BENNENUNG ITM. DESCRIPTION POS. DESIGNATION	TEILE-NR. PART-NO. NO.PIECE	STCK QTY. NBR.
0	SICHERHEITSBLOCK / SAFETY SYSTEM / BLOC DE SECURITE	4.749-122.0	1
1	LINSENSCHR. 4,2X 13 / OVAL HEAD SCREW / VIS A TETE BOMBEE	6.303-122.0	1
2	SCHELLE / CLAMP / COLLIER	5.041-076.0	1
3	ERSATZREEDSCHALTER / SPARE REED SWITCH / INTERRUPT.REED DE RESERVE	2.883-384.0	1
4	FORMSCHRAUBE / SCREW / VIS	5.305-162.0	1
5	O-RING 10 X 1,5 / GASKET / BAQUE D'ETANCHEITE	6.362-482.0	1
6	SCHRAUBENFEDER / HELICAL SPRING / RESSORT CYLINDRIQUE	5.332-057.0	1
7	KOLBEN / PISTON / PISTON	4.553-022.0	1
8	SIEB / STRAINER / CREPINE	6.414-418.0	1
9	HD-SCHLAUCH DN 8 / HIGH PRESSURE HOSE / TUYAU FLEXIBLE HAUTE PRE.	6.388-910.0	1
10	GEHAEUSE / HOUSING / BOITIER	5.060-479.0	1

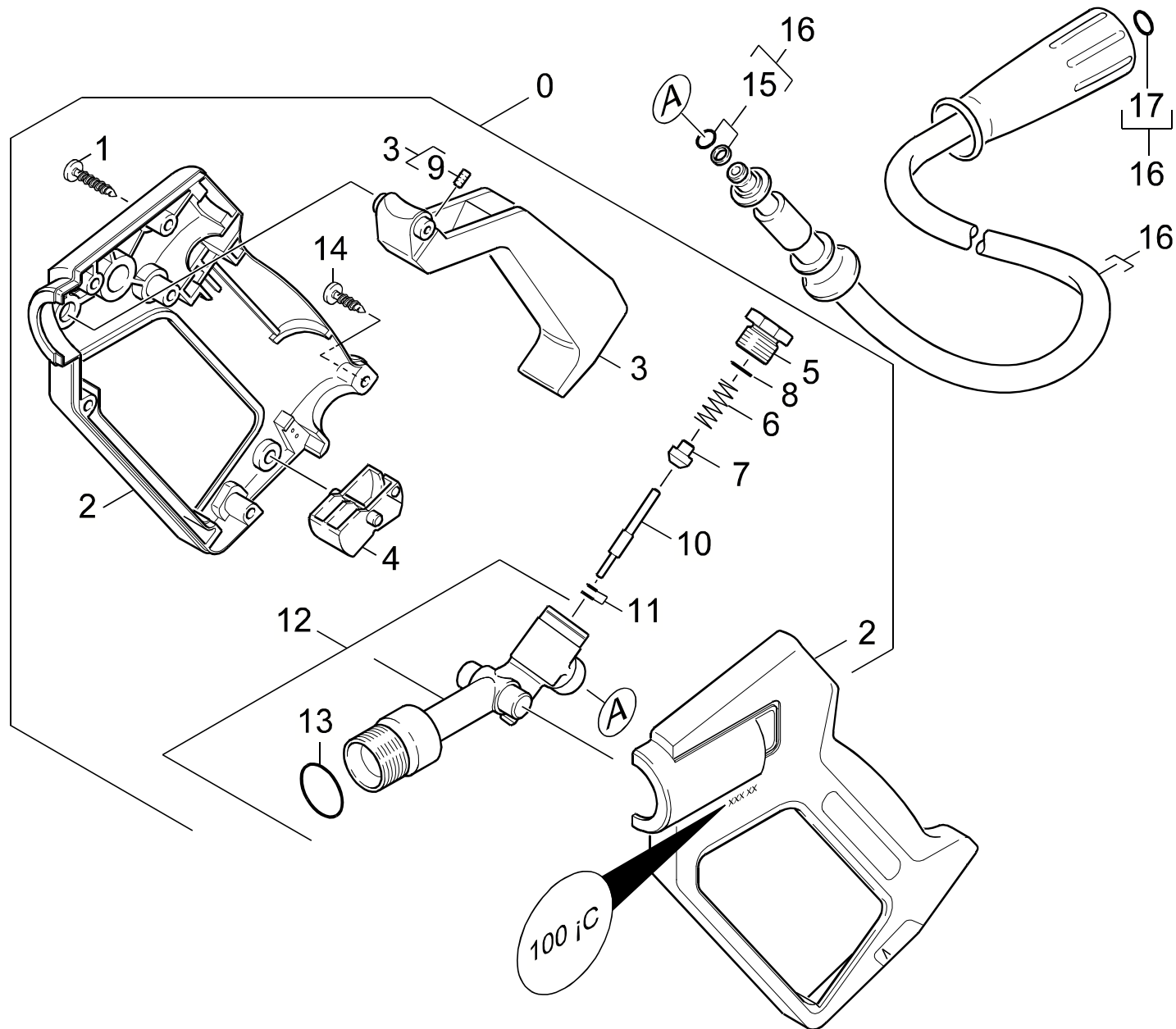
"=> xxxxxx" = bis Werknummer / up to serial No. / jusqu' au No. de fabr. / "xxxxxx =>" = ab Werknummer / from serial No. / a partir du No. de fabr. /

GRUPPE: 9.0 ZUBEHOER  
GROUP: 9.0 ACCESSORIES  
GRUPPE: 9.0 ACCESSOIRES

**A9**

**HDS 500 CI**

**GRUPPE: 9.0 ZUBEHOER**  
**GROUP: 9.0 ACCESSORIES**  
**GRUPPE: 9.0 ACCESSOIRES**



Symbolbeschreibung siehe M16 / symbol description see M16 / désignation de système voir M16 /

GRUPPE: 9.1 HANDSPRITZPISTOLE  
GROUP: 9.1 TRIGGER GUN  
GROUPE: 9.1 POIGNEE PISTOLET

C9

HDS 500 CI

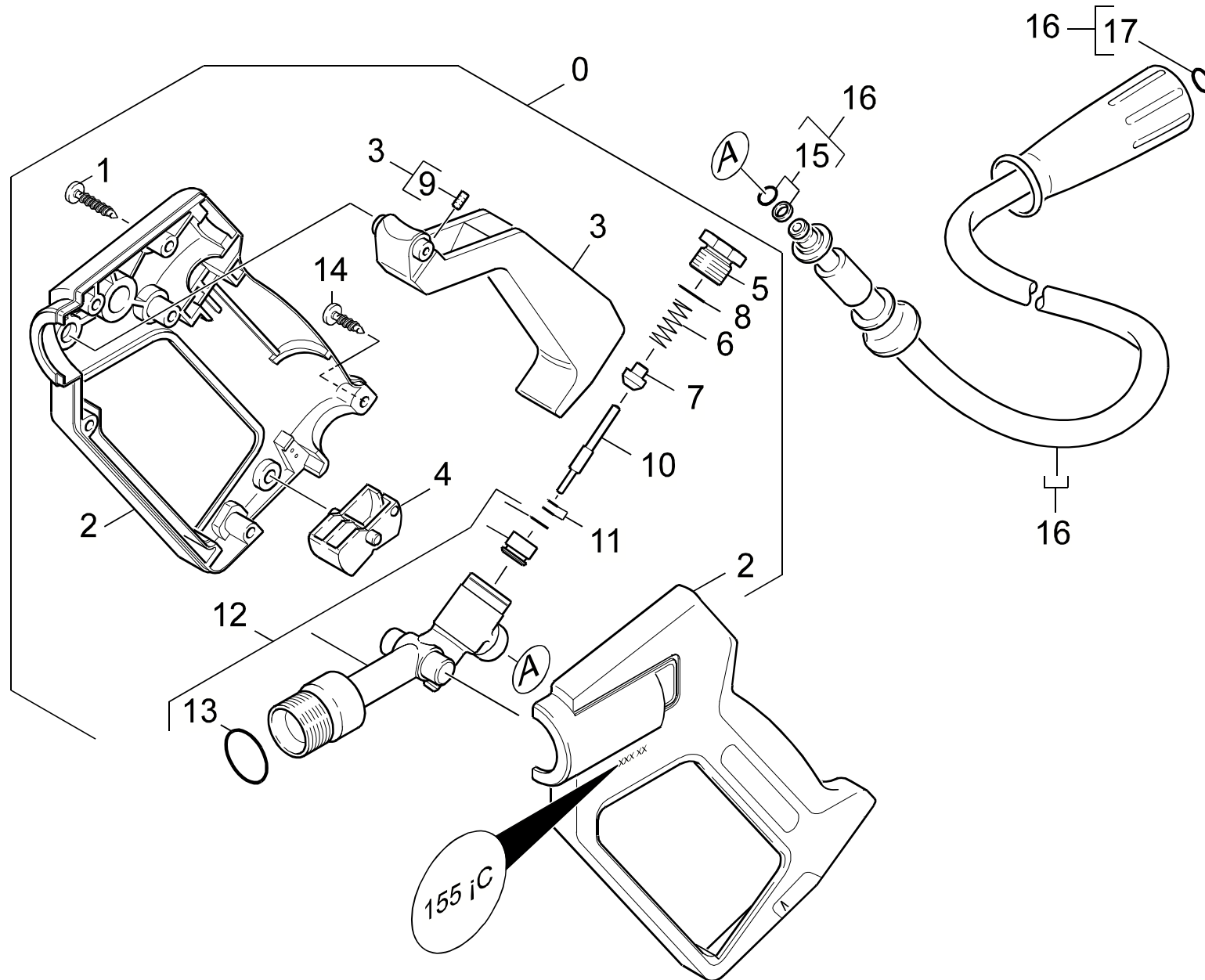
POS. ITM. POS.	BENNENNUNG DESCRIPTION DESIGNATION	TEILE-NR. PART-NO. NO.PIECE	STCK QTY. NBR.
0	HANDSPRITZPISTOLE / TRIGGER GUN / POIGNEE PISTOLET	4.775-079.0	1
1	LINSENSCHR. 4,2X22 / OVAL HEAD SCREW / VIS A TETE BOMBEE	6.303-024.0	6
2	GRIFFPAAR / HANDLES / BRANCHES POIGNEE	5.321-206.0	1
3	HEBEL / LEVER / LEVIER	4.481-050.0	1
4	HEBEL / LEVER / LEVIER	5.481-052.0	1
5	VERSCHLUSSCHRAUBE / CLOSING SCREW / VIS DE FERMETURE	5.411-067.0	1
6	SCHRAUBENFEDER / HELICAL SPRING / RESSORT CYLINDRIQUE	5.332-157.0	1
7	VENTILTeller / VALVE DISC / TETE DE SOUPAPE	5.582-058.0	1
8	O-RING 12,42X 1,78 / GASKET / BAQUE D'ETANCHEITE	6.362-480.0	1
9	GEW.STIFT M 8X 16 / THREADED PIN / VIS SANS TETE	7.307-417.0	1
10	STANGE / BAR / TIGE	5.107-094.0	1
11	O-RING KPL./1ST.-R. / GASKET / BAQUE D'ETANCHEITE	6.362-571.0	1
12	KNOTENSTUECK / MANIFOLD / FERRURE NODALE	4.427-133.0	1
13	O-RING 17,12X 2,62 / GASKET / BAQUE D'ETANCHEITE	6.362-496.0	1
14	LINSENSCHR. 4,2X16 / OVAL HEAD SCREW / VIS A TETE BOMBEE	6.303-025.0	1
15	ERSATZTEILSET / SPARE PARTS KIT / KIT DE PIECES	2.880-296.0	1
16	HD-SCHLAUCH DN6 / HIGH PRESSURE HOSE / TUYAU FLEXIBLE HAUTE PRE.	6.389-853.0	1
17	O-RING KPL./1ST.-R. / GASKET / BAQUE D'ETANCHEITE	6.363-115.0	1
100	ERSATZTEILSET / SPARE PARTS KIT / KIT DE PIECES	2.883-191.0	1

"=> xxxxxx" = bis Werknummer / up to serial No. / jusqu' au No. de fabr. / "xxxxxx =>" = ab Werknummer / from serial No. / a partir du No. de fabr. /

GRUPPE: 9.2 HANDSPRITZPISTOLE  
GROUP: 9.2 TRIGGER GUN  
GRUPPE: 9.2 POIGNEE PISTOLET

D9

HDS 500 CI



Symbolbeschreibung siehe M16 / symbol description see M16 / désignation de système voir M16 /

GRUPPE: 9.2 HANDSPRITZPISTOLE  
GROUP: 9.2 TRIGGER GUN  
GROUPE: 9.2 POIGNEE PISTOLET

E9

HDS 500 CI

POS. ITM. POS.	BENNENUNG DESCRIPTION DESIGNATION	TEILE-NR. PART-NO. NO.PIECE	STCK QTY. NBR.
0	HANDSPRITZPISTOLE / TRIGGER GUN / POIGNEE PISTOLET	4.775-080.0	1
1	LINSENSCHR. 4,2X22 / OVAL HEAD SCREW / VIS A TETE BOMBEE	6.303-024.0	6
2	GRIFFPAAR / HANDLES / BRANCHES POIGNEE	5.321-230.0	1
3	HEBEL / LEVER / LEVIER	4.481-050.0	1
4	HEBEL / LEVER / LEVIER	5.481-052.0	1
5	VERSCHLUSSCHRAUBE / CLOSING SCREW / VIS DE FERMETURE	5.411-067.0	1
6	SCHRAUBENFEDER / HELICAL SPRING / RESSORT CYLINDRIQUE	5.332-157.0	1
7	VENTILTeller / VALVE DISC / TETE DE SOUPAPE	5.582-084.0	1
8	O-RING 12,42X 1,78 / GASKET / BAQUE D'ETANCHEITE	6.362-584.0	1
9	GEW.STIFT M 8X 16 / THREADED PIN / VIS SANS TETE	7.307-417.0	1
10	STANGE / BAR / TIGE	5.107-097.0	1
11	O-RING KPL./1ST.-R. / GASKET / BAQUE D'ETANCHEITE	6.362-571.0	1
12	KNOTENSTUECK / MANIFOLD / FERRURE NODALE	4.427-131.0	1
13	O-RING 17,12X 2,62 / GASKET / BAQUE D'ETANCHEITE	6.362-496.0	1
14	LINSENSCHR. 4,2X16 / OVAL HEAD SCREW / VIS A TETE BOMBEE	6.303-025.0	1
15	O-RING KPL./1ST.-R. / GASKET / BAQUE D'ETANCHEITE	6.363-115.0	1
16	HD-SCHLAUCH DN6 / HIGH PRESSURE HOSE / TUYAU FLEXIBLE HAUTE PRE.	6.389-853.0	1
17	ERSATZTEILSET / SPARE PARTS KIT / KIT DE PIECES	2.880-296.0	1
100	ERSATZTEILSET / SPARE PARTS KIT / KIT DE PIECES	2.883-192.0	1

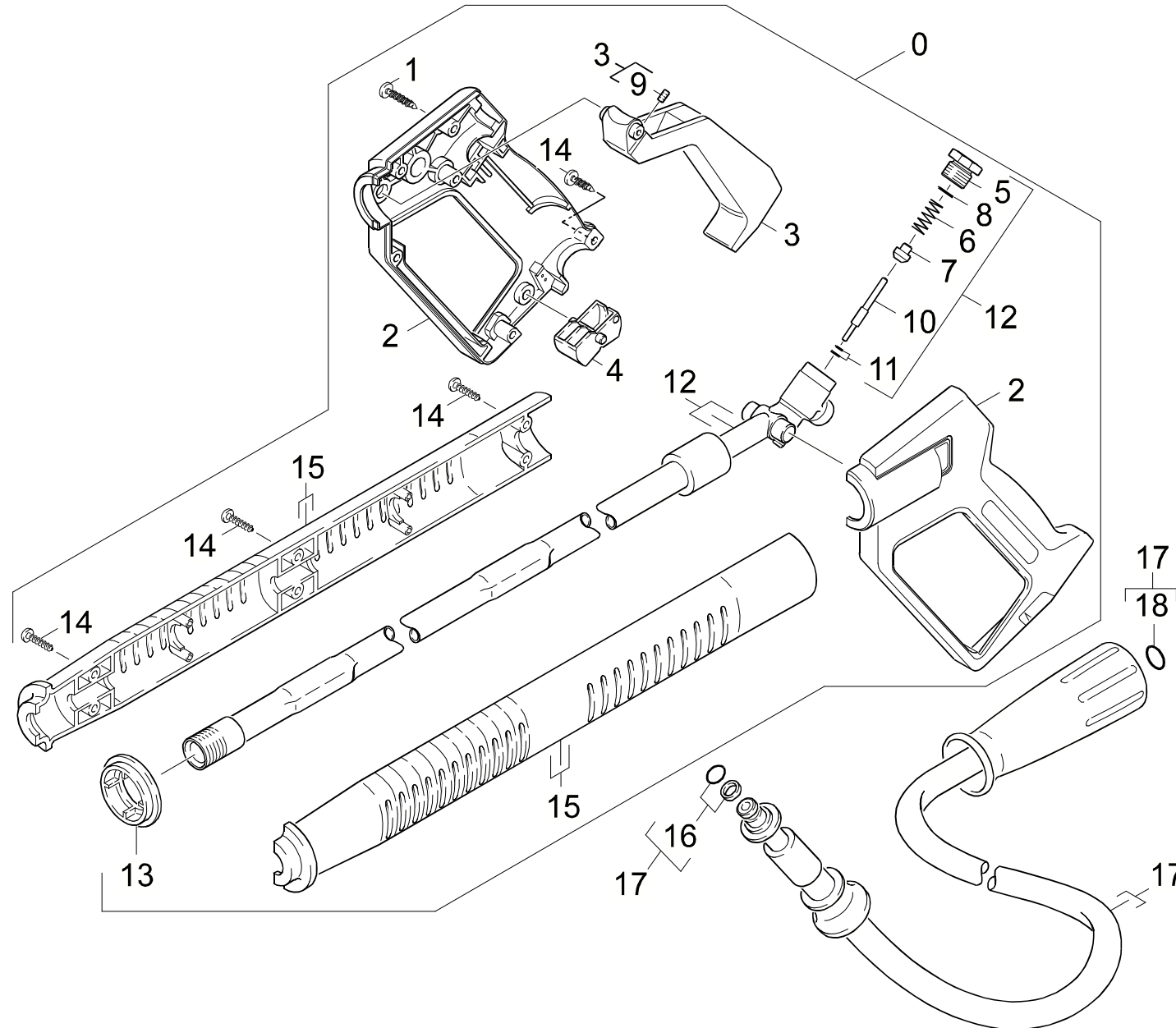
"=> xxxxxx" = bis Werknummer / up to serial No. / jusqu' au No. de fabr. / "xxxxxx =>" = ab Werknummer / from serial No. / a partir du No. de fabr. /



GRUPPE: 9.3 HANDSPRITZPISTOLE  
GROUP: 9.3 TRIGGER GUN  
GRUPPE: 9.3 POIGNEE PISTOLET

F9

HDS 500 CI



Symbolbeschreibung siehe M16 / symbol description see M16 / désignation de système voir M16 /

GRUPPE: 9.3 HANDSPRITZPISTOLE  
GROUP: 9.3 TRIGGER GUN  
GROUPE: 9.3 POIGNEE PISTOLET

G9

HDS 500 CI

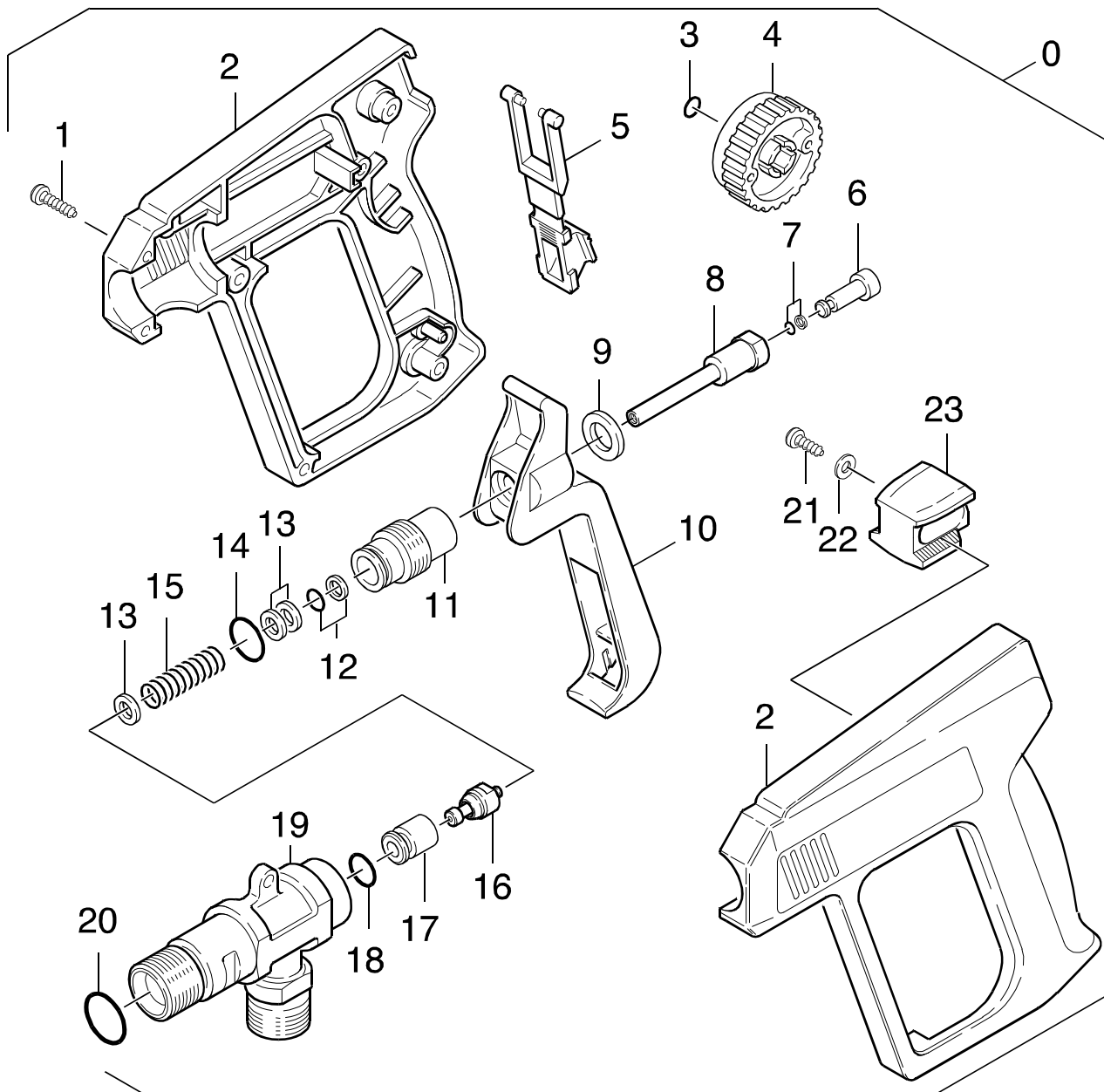
POS. ITM. POS.	BENNENNUNG DESCRIPTION DESIGNATION	TEILE-NR. PART-NO. NO.PIECE	STCK QTY. NBR.
0	HANDSPRITZPISTOLE / TRIGGER GUN / POIGNEE PISTOLET	4.775-268.0	1
1	LINSENSCHR. 4,2X22 / OVAL HEAD SCREW / VIS A TETE BOMBEE	6.303-024.0	1
2	GRIFFPAAR / HANDLES / BRANCHES POIGNEE	5.321-206.0	1
3	HEBEL / LEVER / LEVIER	4.481-050.0	1
4	HEBEL / LEVER / LEVIER	5.481-052.0	1
5	VERSCHLUSSCHRAUBE / CLOSING SCREW / VIS DE FERMETURE	5.411-067.0	1
6	SCHRAUBENFEDER / HELICAL SPRING / RESSORT CYLINDRIQUE	5.332-157.0	1
7	VENTILTELLER / VALVE DISC / TETE DE SOUPAPE	5.582-117.0	1
8	O-RING 12,42X 1,78 / GASKET / BAQUE D'ETANCHEITE	6.362-584.0	1
9	GEW.STIFT M 8X 16 / THREADED PIN / VIS SANS TETE	7.307-417.0	1
10	STANGE / BAR / TIGE	5.107-094.0	1
11	O-RING KPL./1ST.-R. / GASKET / BAQUE D'ETANCHEITE	6.362-571.0	1
12	KNOTENSTUECK / MANIFOLD / FERRURE NODALE	4.427-179.0	1
13	FORMTEIL / MOULDED PART / PREFORME	5.031-259.0	1
14	LINSENSCHR. 4,2X16 / OVAL HEAD SCREW / VIS A TETE BOMBEE	6.303-025.0	7
15	GRIFFPAAR / HANDLES / BRANCHES POIGNEE	5.321-493.0	1
16	O-RING KPL./1ST.-R. / GASKET / BAQUE D'ETANCHEITE	6.363-115.0	1
17	HD-SCHLAUCH DN6 / HIGH PRESSURE HOSE / TUYAU FLEXIBLE HAUTE PRE.	6.389-853.0	1
18	ERSATZTEILSET / SPARE PARTS KIT / KIT DE PIECES	2.880-296.0	1

"=> xxxxxx" = bis Werknummer / up to serial No. / jusqu' au No. de fabr. / "xxxxxx =>" = ab Werknummer / from serial No. / a partir du No. de fabr. /

GRUPPE: 9.4 HANDSPRITZPISTOLE  
GROUP: 9.4 TRIGGER GUN  
GRUPPE: 9.4 POIGNEE PISTOLET

H9

HDS 500 CI



Symbolbeschreibung siehe M16 / symbol description see M16 / désignation de système voir M16 /

GRUPPE: 9.4 HANDSPRITZPISTOLE  
GROUP: 9.4 TRIGGER GUN  
GROUPE: 9.4 POIGNEE PISTOLET

19

HDS 500 CI

POS. ITM. POS.	BENNENNUNG DESCRIPTION DESIGNATION	TEILE-NR. PART-NO. NO.PIECE	STCK QTY. NBR.
0	HANDSPRITZPISTOLE / TRIGGER GUN / POIGNEE PISTOLET	4.775-026.0	1
1	LINSENSCHR. 4,2X22 / OVAL HEAD SCREW / VIS A TETE BOMBEE	6.303-024.0	8
2	GRIFFPAAR / HANDLES / BRANCHES POIGNEE	5.321-174.0	1
3	O-RING 6,07X 1,78 / GASKET / BAQUE D'ETANCHEITE	6.362-176.0	1
4	HANDRAD / HAND WHEEL / VOLANT	5.322-006.0	1
5	FORMTEIL / MOULDED PART / PREFORME	5.030-283.0	1
6	KOLBEN / PISTON / PISTON	5.553-118.0	1
7	O-RING KPL./1ST.-R. / GASKET / BAQUE D'ETANCHEITE	6.362-477.0	1
8	STANGE / BAR / TIGE	5.107-062.0	1
9	SCHEIBE / WASHER / RONDELLE	5.115-227.0	1
10	HEBEL / LEVER / LEVIER	5.481-039.0	1
11	FORMSCHRAUBE / SCREW / VIS	5.305-110.0	1
12	O-RING KPL./1ST.-R. / GASKET / BAQUE D'ETANCHEITE	6.362-468.0	1
13	SCHEIBE / WASHER / RONDELLE	5.115-260.0	3
14	O-RING 12,42X 1,78 / GASKET / BAQUE D'ETANCHEITE	6.362-478.0	1
15	SCHRAUBENFEDER / HELICAL SPRING / RESSORT CYLINDRIQUE	5.332-140.0	1
16	VENTILSITZ / VALVE SEAT / SIEGE DE SOUPAPE	4.581-049.0	1
17	HUELSE / SLEEVE / DOUILLE	5.110-348.0	1
18	O-RING 7,59X 2,62 / GASKET / BAQUE D'ETANCHEITE	6.362-479.0	1
19	KNOTENSTUECK / MANIFOLD / FERRURE NODALE	5.427-079.0	1
20	O-RING 17,12X 2,62 / GASKET / BAQUE D'ETANCHEITE	6.362-496.0	1
21	LINSENSCHR. 4,2X16 / OVAL HEAD SCREW / VIS A TETE BOMBEE	6.303-025.0	1
22	SCHEIBE 4 / WASHER / RONDELLE	7.312-001.0	1
23	FORMTEIL / MOULDED PART / PREFORME	5.030-459.0	1
100	PISTOLENSET / PISTOL SET / JEU DE PISTOLET	2.883-014.0	1

"=> xxxxxx" = bis Werknummer / up to serial No. / jusqu' au No. de fabr. / "xxxxxx =>" = ab Werknummer / from serial No. / a partir du No. de fabr. /

GRUPPE: 10.0ZUBEHOER  
GROUP: 10.0ACCESSORIES  
GRUPPE: 10.0ACCESSOIRES

**A10**

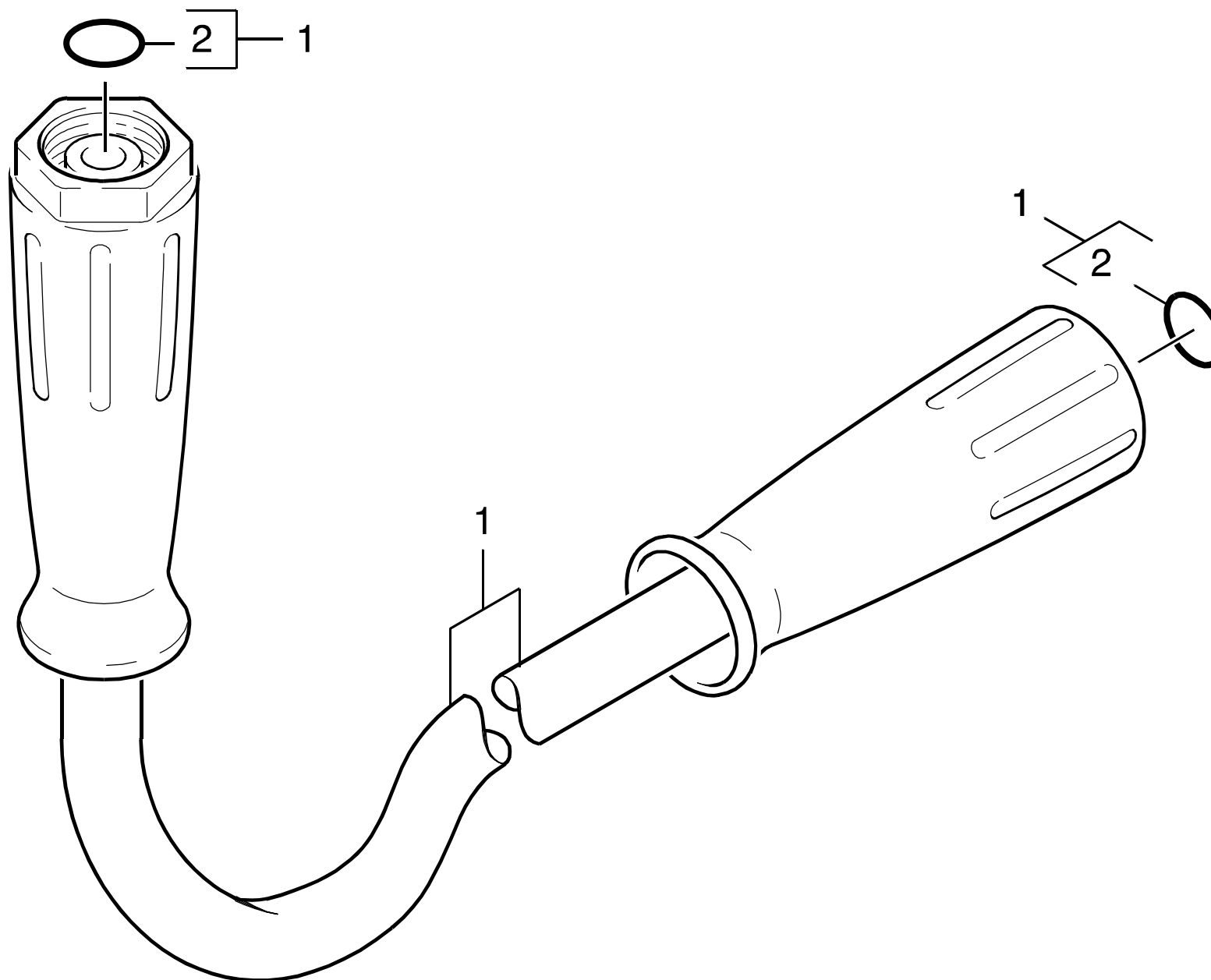
**HDS 500 CI**

**GRUPPE: 10.0ZUBEHOER**  
**GROUP: 10.0ACCESSORIES**  
**GRUPPE: 10.0ACCESSOIRES**

GRUPPE: 10.1HD-SCHLAUCH  
GROUP: 10.1 HIGH PRESSURE HOSE  
GRUPPE: 10.1 TUYAU FLEXIBLE HAUTE PRE.

B10

HDS 500 CI



Symbolbeschreibung siehe M16 / symbol description see M16 / désignation de système voir M16 /

GRUPPE: 10.1HD-SCHLAUCH  
GROUP: 10.1HIGH PRESSURE HOSE  
GRUPPE: 10.1TUYAU FLEXIBLE HAUTE PRE.

**C10**

**HDS 500 CI**

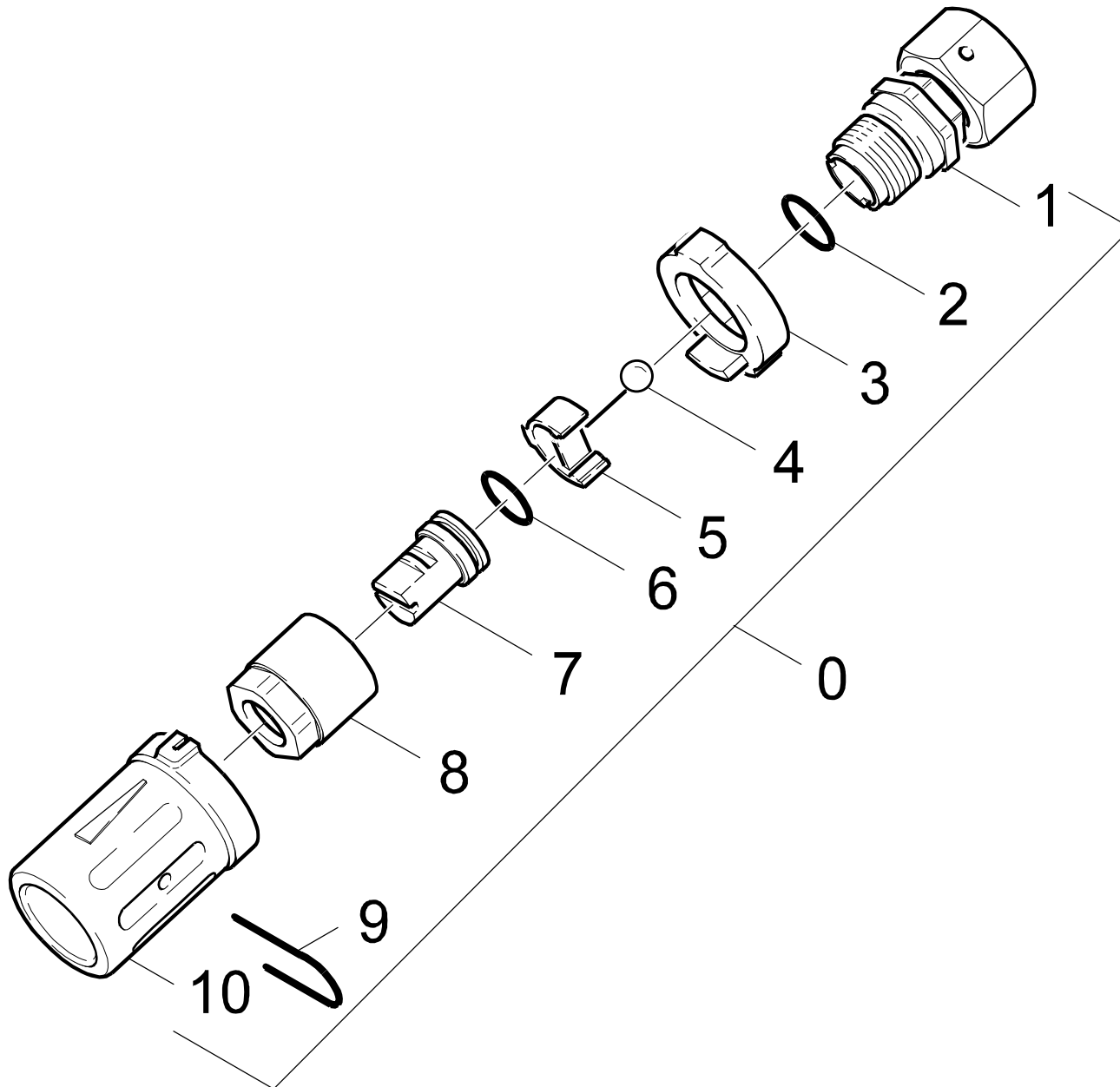
POS.	BENNENUNG	TEILE-NR.	STCK
ITM.	DESCRIPTION	PART-NO.	QTY.
POS.	DESIGNATION	NO.PIECE	NBR.
1	HD-SCHLAUCH DN8 / HIGH PRESSURE HOSE / TUYAU FLEXIBLE HAUTE PRE.	6.390-010.0	1
2	ERSATZTEILSET / SPARE PARTS KIT / KIT DE PIECES	2.880-296.0	1

"=> xxxxxx" = bis Werknummer / up to serial No. / jusqu' au No. de fabr. / "xxxxxx =>" = ab Werknummer / from serial No. / a partir du No. de fabr. /

GRUPPE: 10.2DUESE  
GROUP: 10.2NOZZLE  
GRUPPE: 10.2BUSE

D10

HDS 500 CI



Symbolbeschreibung siehe M16 / symbol description see M16 / désignation de système voir M16 /



GRUPPE: 10.2DUESE  
GROUP: 10.2NOZZLE  
GRUPPE: 10.2BUSE

# E10

## HDS 500 CI

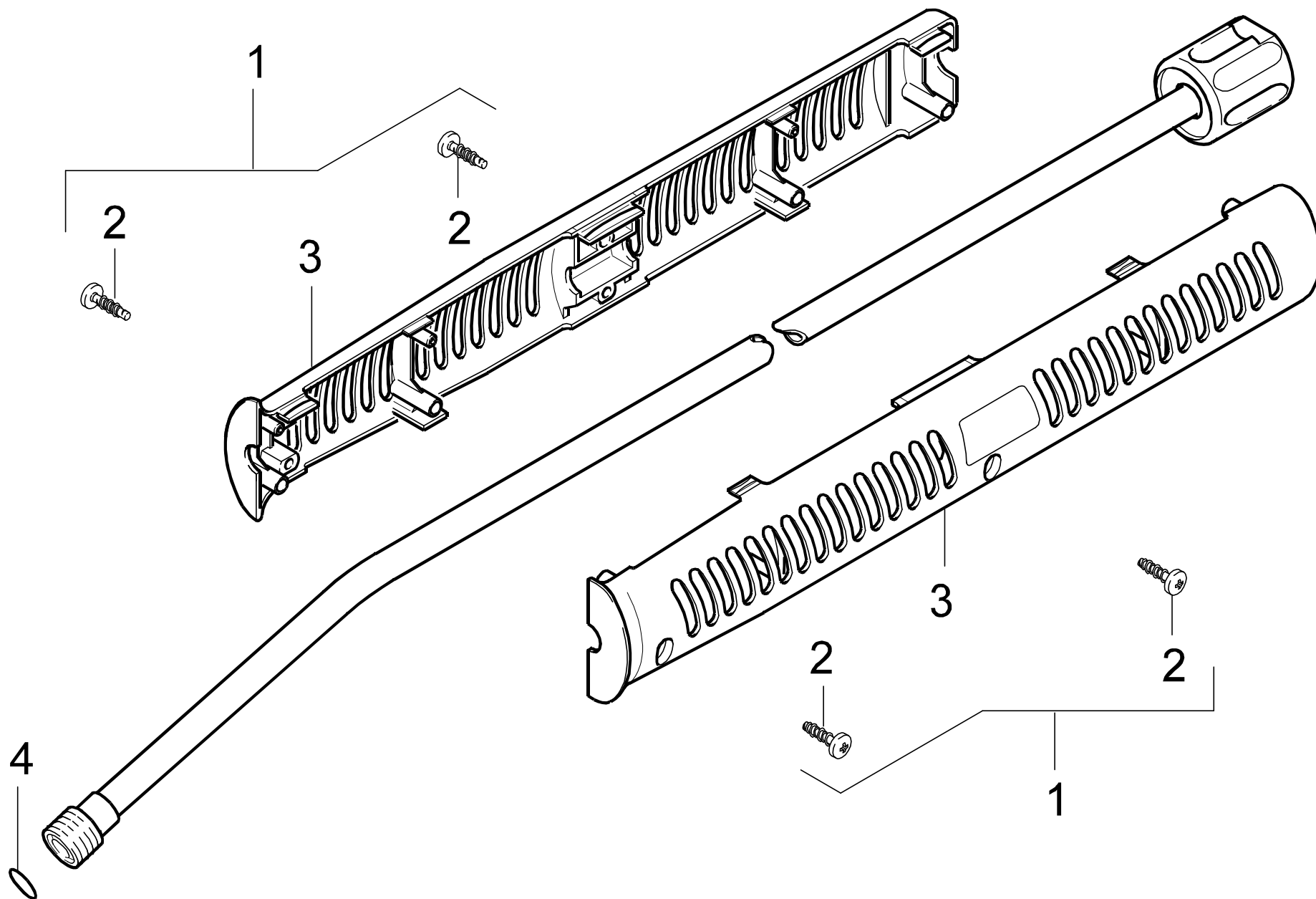
POS. ITM. POS.	BENNENNUNG DESCRIPTION DESIGNATION	TEILE-NR. PART-NO. NO.PIECE	STCK QTY. NBR.
0	SONDERDUESE 045/30 / SPECIAL NOZZLE / BUSE SPECIALE	4.763-108.0	1
1	SCHRAUBSTUTZEN KPL. / SCREW UNION / RACCORD FILETE	4.402-040.0	1
2	O-RING 14,0 X 2,5 / GASKET / BAQUE D'ETANCHEITE	6.362-460.0	1
3	FORMTEIL / MOULDED PART / PREFORME	5.030-383.0	1
4	KUGEL 6,0 / BALL / BOULE	7.401-918.0	1
5	HALTER / BRACKET / FIXATION	5.042-283.0	1
6	O-RING 12,42X 1,78 / GASKET / BAQUE D'ETANCHEITE	6.362-480.0	1
7	ZWEISTRALHDUESE / TWO NOZZLE / BUSE A DOUBLE JET	6.415-500.0	1
8	6KT-MUTTER / HEXAGON NUT / ECROU HEXAGONAL	5.311-117.0	1
9	HAKEN / HOOK / PATERE	5.037-035.0	1
10	SCHUTZTEIL / PROTECTION PART / PARTIE PROTECTEUR	5.394-155.0	1

"=> xxxxxx" = bis Werknummer / up to serial No. / jusqu' au No. de fabr. / "xxxxxx =>" = ab Werknummer / from serial No. / a partir du No. de fabr. /

GRUPPE: 10.3STRAHLROHR  
GROUP: 10.3JET PIPE  
GRUPPE: 10.3LANCÉ D'INCENDIE

F10

HDS 500 CI



Symbolbeschreibung siehe M16 / symbol description see M16 / désignation de système voir M16 /

GRUPPE: 10.3STRAHLROHR  
GROUP: 10.3JET PIPE  
GRUPPE: 10.3LANCE D'INCENDIE

**G10**

**HDS 500 CI**

POS.	BENNENUNG	TEILE-NR.	STCK
ITM.	DESCRIPTION	PART-NO.	QTY.
POS.	DESIGNATION	NO.PIECE	NBR.
1	STRAHLROHR / JET PIPE / LANCE D'INCENDIE	4.760-355.0	1
2	LINSENSCHR. 4,2X16 / OVAL HEAD SCREW / VIS A TETE BOMBEE	6.303-025.0	4
3	GRIFF / HANDLE / POIGNEE	5.321-150.0	2
4	ERSATZTEILSET / SPARE PARTS KIT / KIT DE PIECES	2.880-296.0	1

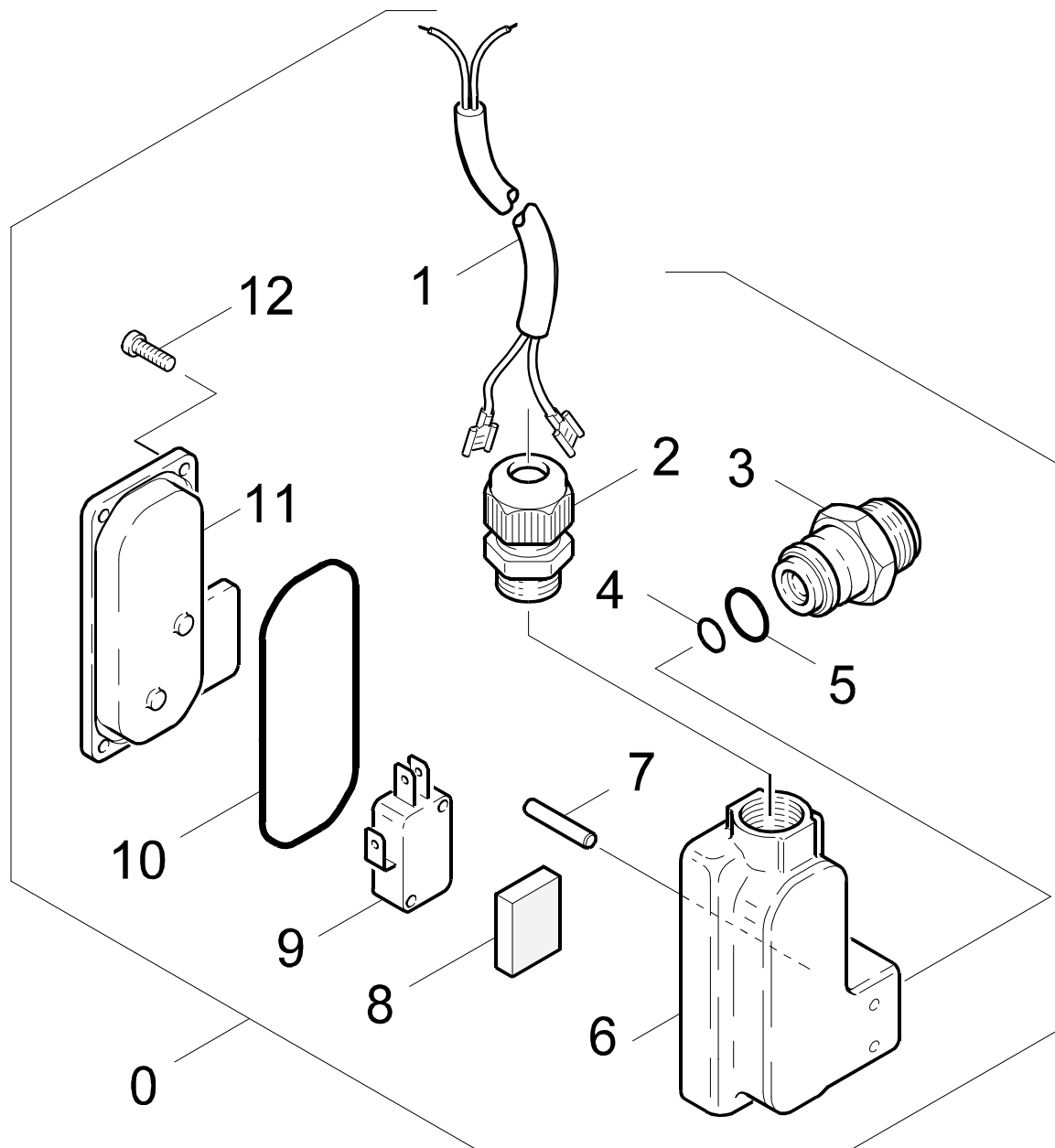
"=> xxxxxx" = bis Werknummer / up to serial No. / jusqu' au No. de fabr. / "xxxxxx =>" = ab Werknummer / from serial No. / a partir du No. de fabr. /

**GRUPPE: 11.0DRUCKSCHALTER**  
**GROUP: 11.0PRESSURE SWITCH**  
**GRUPPE: 11.0PRESSOTAT**

**A11**

**HDS 500 CI**

**GRUPPE: 11.0DRUCKSCHALTER**  
**GROUP: 11.0PRESSURE SWITCH**  
**GRUPPE: 11.0PRESSOTAT**



Symbolbeschreibung siehe M16 / symbol description see M16 / désignation de système voir M16 /

GRUPPE: 11.0DRUCKSCHALTER  
GROUP: 11.0PRESSURE SWITCH  
GROUPE: 11.0PRESSOTAT

C11

HDS 500 CI

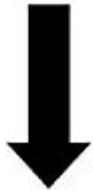
POS.	BENNENUNG	TEILE-NR.	STCK
ITM.	DESCRIPTION	PART-NO.	QTY.
POS.	DESIGNATION	NO.PIECE	NBR.
0	DRUCKSCHALTER KPL. / PRESSURE SWITCH / PRESSOTAT	4.747-068.0	1
1	KABEL / CABLE / CABLE	4.820-770.0	1
2	KABELVERSCHR. PG 9 / CABLE CONNECTOR / RACCORD DE CABLES	6.641-355.0	1
3	FORMSCHRAUBE / SCREW / VIS	5.305-213.0	1
4	O-RING 5,28X 1,78 / GASKET / BAQUE D'ETANCHEITE	6.362-175.0	1
5	O-RING 13,3 X 2,4 / GASKET / BAQUE D'ETANCHEITE	6.362-078.0	1
6	GEHAEUSE / HOUSING / BOITIER	5.060-367.0	1
7	ZYL.KERBSTI. 4,0X20 / GROOVED PIN / GOUPILLE CAN.	7.314-630.0	2
8	ZELLGUMMIBAND / CELL. RUBBER BAND / RUBAN CAOUT.	5.365-156.0	1
9	MIKROSCHALTER / MICRO SWITCH / MICRORUPTEUR	6.631-753.0	1
10	O-RING / GASKET / BAQUE D'ETANCHEITE	6.362-691.0	1
11	DECKEL / COVER / COUVERCLE	5.063-412.0	1
12	LINSENSCHR. 2,9X 13 / OVAL HEAD SCREW / VIS A TETE BOMBEE	6.303-058.0	4

"=> xxxxxx" = bis Werknummer / up to serial No. / jusqu' au No. de fabr. / "xxxxxx =>" = ab Werknummer / from serial No. / a partir du No. de fabr. /

## Bestellhinweis

Bei Ihrer Bestellung sind unbedingt anzugeben :

1.	2.	3.	4.	5.
Gerätetyp Machine model Type d'appareils	Herstell-Nr. Serial-No. No. de série	Benennung Description Désignation	Teile-Nr. Part No. Référence	Stückzahl Piece No. Quantité



**siehe Typenschild  
see name-plate  
voir plaque signalétique**



**siehe Ersatzteilliste  
see spare parts list  
voir liste des pièces de rechange**

- Die Ersatzteile, welche als Meterware geliefert werden, sind auf Einbaulänge selbst zu kürzen. Ebenso sind die Stückzahlen in den jeweiligen Gruppen als Mindestbestellmengen = 1m angegeben und können je nach Bedarf auf weitere volle Meterzahlen erhöht und bestellt werden.
- Spare Parts which are delivered as cut goods have to be shortened to installation length. The quotation of quantity in each group refers to the minimum order quantity = 1m and may be ordered and raised to further full metre-values according to demand
- Les pièces de rechange qui sont livrées comme marchandise au mètre sont à raccourcir selon la longueur d'installation. Les indications de quantité dans chaque group se réfèrent à des valeurs de mètre de plus.
- Diese Ersatzteilliste erscheint in gedruckter Form sowie als Mikrofiche. Bei Querverweisen bezieht sich die Angabe "Seitenzahl" auf die gedruckte Ersatzteilliste und die Angabe "Bildtafel" auf die Mikrofichenausgabe.
- This spare parts list is published both in printed form and as a microfiche. In the cross-references, "page number" refers to the printed spare parts list and "display table" to the microfilm edition.
- Cette liste de pièces de rechange est aussi bien imprimée que publiée sous forme de microfiche. Les indications transversales renvoient au "numéro de page" sur la liste imprimée des pièces de rechange et à la "planche" sur la microfiche.

Bitte beachten Sie, daß der Teileumfang dieser Ersatzteilliste nicht unbedingt dem Lieferumfang Ihres Gerätes entspricht.

For your information: It could be that certain parts quoted in this spare parts list were not included with the machine delivery.

Pour votre information: il se peut que certaines pièces détachées mentionnées sur la liste ne vous aient pas été livrées avec l'appareil.

Die in dieser Ersatzteilliste nicht aufgeführten Einzelteile, bestellen Sie bitte direkt beim Vertragskundendienst des jeweiligen Herstellers.

Please order the individual parts not included in this assembly directly with the contract aftersales service of the manufacturer in question.

Veillez s'il vous plaît, commander les pièces détachées qui ne sont indiquées dans notre liste des pièces détachées, directement auprès du service après-vente des fabricants en question.

Bei Bestellung von lackierten Teilen, welche in der Ersatzteilliste nicht in verschiedenen Farben ausgewiesen sind, ist zusätzlich die Farbnummer oder Farbe mit anzugeben. Diese finden Sie auf dem Typenschild oder Farbschild Ihres Gerätes.

Upon ordering of varnished parts which are not mentioned in the spare parts list as parts with different colors, kindly additionally mention the number of the color. It can be seen on the type plate of the color plate of your machine.

Commandant des parts vernissés qui ne sont pas mentionnés comme parts avec une couleur différente dans la liste des pièces détachées, veuillez mentionner de plus le numéro de la couleur. Il se trouve sur la plaque signalétique ou la plaque de couleur de votre machine.

Auflistungen von Einzelteilen bei Ersatzteil - u. Pumpensets sind in der Reihe "16" einzusehen, bzw. direkt unter dem entsprechenden Set aufgelistet.

Listings of single parts upon spare parts kits and pump kits can be seen in row "16" or directly listed below the corresponding kit.  
Des établissements des pièces détachées en ce qui concerne les kits des pièces de rechange et les kits de pompes, peuvent être vus à la ligne "16" ou ils sont répertoriés directement au-dessous du jeu correspondant.

Technische Änderungen im Rahmen der Weiterentwicklung sowie das Recht der ausschließlichen Auswertung unseres geistigen Eigentums behalten wir uns vor. Vervielfältigung und Nachdruck nur mit Genehmigung und Urheberhinweis möglich.

We reserve the right to make technical changes in the course of development work and the right to make exclusive use of our intellectual property. This spare parts list may be duplicated or reprinted only with our approval and with acknowledgement of our copyright.

Nous nous réservons le droit de toutes modifications techniques dans le cadre du perfectionnement des mises au point ainsi que le droit de la mise en valeur exclusive de notre propriété intellectuelle. Polycopie et reproduction exclusivement après accord et avec mention de l'auteur.

# INDEX

## M16

## HDS 500 CI

GRUPPE: 1.0 EINZELTEILE	A1-G1	GRUPPE: 9.0 ZUBEHOER	A9-I9
GROUP: 1.0 PIECE PARTS		GROUP: 9.0 ACCESSORIES	
GRUPPE: 1.0 PIECES CONSTITUANTES		GRUPPE: 9.0 ACCESSOIRES	
GRUPPE: 2.0 PUMPENSATZ	A2-G2	GRUPPE: 10.0ZUBEHOER	A10-G10
GROUP: 2.0 PUMP SET		GROUP: 10.0ACCESSORIES	
GRUPPE: 2.0 JEU (ENSEMBLE) DE POMPE		GRUPPE: 10.0ACCESSOIRES	
GRUPPE: 3.0 MOTOR	A3-E3	GRUPPE: 11.0DRUCKSCHALTER	A11-C11
GROUP: 3.0 MOTOR		GROUP: 11.0PRESSURE SWITCH	
GRUPPE: 3.0 MOTEUR		GRUPPE: 11.0PRESSOTAT	
GRUPPE: 4.0 GEBLAESE	A4-C4		
GROUP: 4.0 BLOWER			
GRUPPE: 4.0 VENTILATEUR			
GRUPPE: 5.0 BRENNSTOFFPUMPE	A5-E5		
GROUP: 5.0 FUEL PUMP			
GRUPPE: 5.0 POMPE DE COMBUSTIBLE			
GRUPPE: 6.0 E-GERAETESCHRANK	A6-E6		
GROUP: 6.0 ELECTRIC CONTROL BOX			
GRUPPE: 6.0 COFFRET ELECTRIQUE			
GRUPPE: 7.0 DURCHLAUFERHITZER	A7-G7		
GROUP: 7.0 FLOW HEATER			
GRUPPE: 7.0 CHAUFFE-EAU RAPIDE			
GRUPPE: 8.0 SICHERHEITSBLOCK	A8-C8		
GROUP: 8.0 SAFETY SYSTEM			
GRUPPE: 8.0 BLOC DE SECURITE			



BEISPIEL: VERSION 1  
EXAMPLE: VERSION 1  
EXEMPLE: VERSION 1

**3.0**

BEISPIEL: SIEHE IN GRUPPE 3  
EXAMPLE: SEE IN GROUP 3  
EXEMPLE: VOIR EN GROUPE 3



WICHTIGER HINWEIS  
IMPORTANT REMARK  
REMARCAQUAGE IMPORTANT

BESTELLHINWEIS SIEHE M15  
EXAMPLE ORDER SEE M15  
EXEMPLE DE COMMANDE VOIR M15

VARIANTENÜBERSICHT SIEHE L16  
VARIANTS SURVEY SEE L16  
VUE D'ENSEMBLE DE VARIANTS VOIR L16