

**Ersatzteilliste
Spare Parts List
Liste des pièces de rechange**

HDS 890

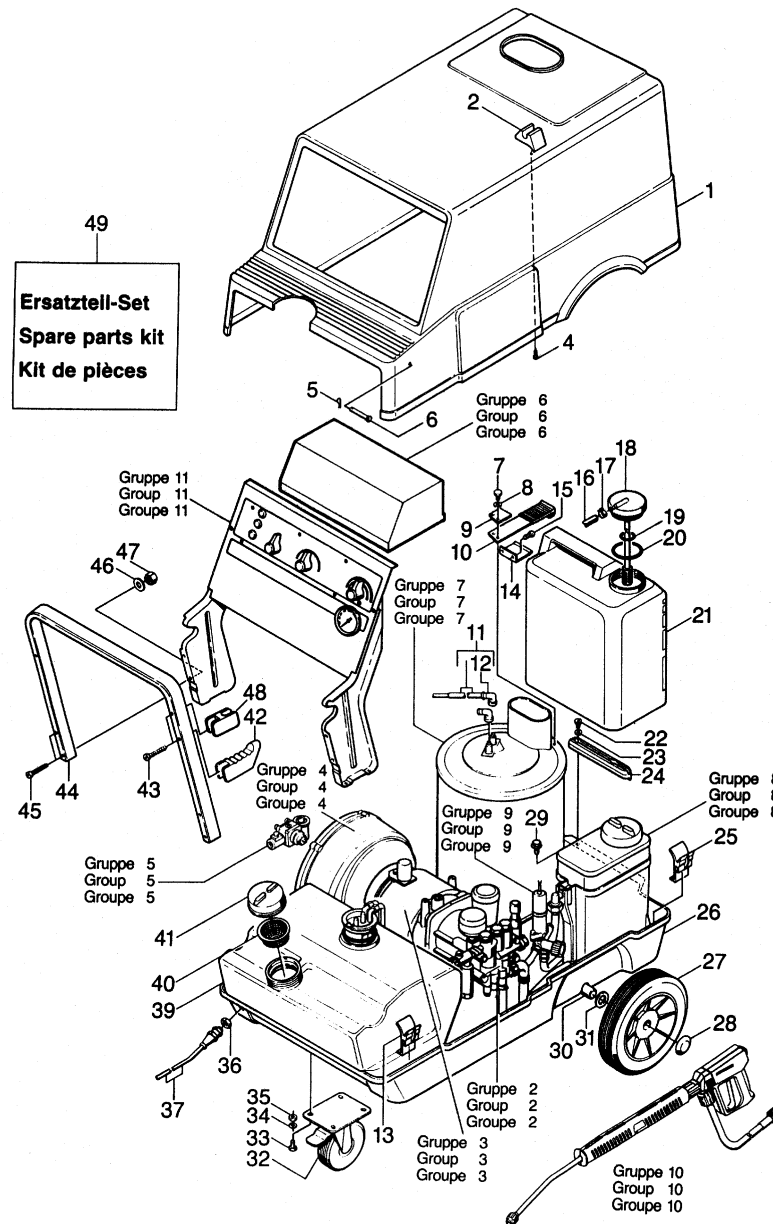
1.619-919.0 HDS 890

GRUPPE: 1.0 EINZELTEILE
GROUP: 1.0 PIECE PARTS
GRUPPE: 1.0 PIECES CONSTITUANTES

A1

HDS 890

GRUPPE: 1.0 EINZELTEILE
GROUP: 1.0 PIECE PARTS
GRUPPE: 1.0 PIECES CONSTITUANTES



Symbolbeschreibung siehe M16 / symbol description see M16 / désignation de système voir M16 /

GRUPPE: 1.0 EINZELTEILE
 GROUP: 1.0 PIECE PARTS
 GROUPE: 1.0 PIECES CONSTITUANTES

C1

HDS 890

POS. ITM. POS.	BENNENNUNG DESCRIPTION DESIGNATION	TEILE-NR. PART-NO. NO.PIECE	STCK QTY. NBR.	POS. ITM. POS.	BENNENNUNG DESCRIPTION DESIGNATION	TEILE-NR. PART-NO. NO.PIECE	STCK QTY. NBR.
1	HAUBE / COVER / CAPOT	5.066-336.0	1	33	6KT-SCHR. M 8X 16 / HEXAGONAL HEAD SCREW / VIS HEXAGONAL	7.304-395.0	4
2	HALTER / BRACKET / FIXATION	5.042-252.0	1	34	SCHEIBE 8 / WASHER / RONDELLE	7.312-004.0	4
4	LINSENSCHR. 4,2X 13 / OVAL HEAD SCREW / VIS A TETE BOMBEE	6.303-122.0	1	35	6KT-MUTTER M 8 / HEXAGON NUT / ECROU HEXAGONAL	7.311-004.0	4
5	SICHERUNG / CLIP / CONSOLIDATION	6.343-006.0	2	36	GEGENMUTTER PG13.5 / COUNTERNUT / CONTRE-ECROU	6.641-480.0	1
6	BOLZEN / BOLT / BOULON	6.373-322.0	2	37	KABEL / CABLE / CABLE	4.820-161.0	1
7	ZYL.SCHR. M 5X 12 / CHEESE HEAD SCREW / VIS A TETE CYLINDR.	7.306-443.0	1	39	TANK / TANK / RESERVOIR	5.071-024.0	1
8	FEDERRING B 5 / SPRING WASHER / RONDELLE GROWER	7.313-002.0	1	40	SIEB D 70 / STRAINER / CREPINE	6.414-275.0	1
9	WINKEL / ANGLE / ANGLE	5.021-953.0	1	41	DECKEL / COVER / COUVERCLE	5.063-217.0	1
10	HALTER / BRACKET / FIXATION	5.042-257.0	1	42	HALTER / BRACKET / FIXATION	5.042-253.0	2
11	ZUENDKABEL / IGNITION CABLE / FIL D'AMORCE	6.641-180.0	2	43	BL.SCHR. ST5,5X55,0 / SHEET METAL SCREW / VIS A TOLE	6.305-005.0	3
12	KERZENSTECKER / SPARK PLUG SOCKET / COSSE DE BOUGIE	6.618-057.0	2	44	GRIFF / HANDLE / POIGNEE	5.321-121.0	1
13	HALTER / BRACKET / FIXATION	5.042-320.0	1	45	SCHRAUBE M 6X 50 / SCREW / VIS	7.306-133.0	4
14	PLATTE / PLATE / PLAQUE	5.002-402.0	1	46	SCHEIBE 6 / WASHER / RONDELLE	7.312-276.0	4
15	SCHRAUBE M 5X 12 / SCREW / VIS	7.303-038.0	2	47	6KT-MUTTER M 6 / HEXAGON NUT / ECROU HEXAGONAL	7.311-425.0	4
16	SCHLAUCH DN 7 / HOSE / TUYAU FLEXIBLE	6.388-225.0	2	48	HALTER / BRACKET / FIXATION	5.042-254.0	1
	ALS METERWARE BESTELLEN/TO ORDER AS CUT GOODS/COMMANDE COMME MARCHANDISE AU METRE			49	ERSATZTEILSET / SPARE PARTS KIT / KIT DE PIECES	2.883-017.0	1
17	SCHLAUCHSCHELLE / HOSE BAND CLIP / COLLIER DE SERRAGE	6.388-559.0	2				
18	FORMTEIL / MOULDED PART / PREFORME	5.030-355.0	1				
19	O-RING 47,0 X 4,5 / GASKET / BAQUE D'ETANCHEITE	6.362-490.0	1				
20	O-RING 80,0 X 4,5 / GASKET / BAQUE D'ETANCHEITE	6.362-491.0	1				
21	TANK / TANK / RESERVOIR	5.071-025.0	1				
22	LINSENSCHR. M 5X 16 / OVAL HEAD SCREW / VIS A TETE BOMBEE	7.306-308.0	2				
23	SCHEIBE 5 / WASHER / RONDELLE	7.312-278.0	2				
24	AUFLAGER / SUPPORT / SUPPORT	5.057-024.0	1				
25	HALTER / BRACKET / FIXATION	5.042-256.0	2				
26	RAHMEN / FRAME / CADRE	5.050-005.0	1				
27	SCHEIBENRAD 300 / WEB DISC WHEEL / ROUE PLEINE	6.435-178.0	2				
28	SCHNELLBEFESTIGER / QUICK-FASTENER / ATTACHE RAPIDE	6.343-137.0	2				
29	SCHRAUBE M 8X 16 / SCREW / VIS	6.303-031.0	2				
30	ACHSE / AXLE / ESSIEU	5.105-063.0	1				
31	SCHEIBE 24 / WASHER / RONDELLE	7.312-060.0	8				
32	LENKROLLE 125 / CASTOR / ROUE PIVOTANTE	6.435-071.0	1				

"=> xxxxxx" = bis Werknummer / up to serial No. / jusqu' au No. de fabr. / "xxxxxx =>" = ab Werknummer / from serial No. / a partir du No. de fabr. /

GRUPPE: 2.0 PUMPENSATZ
GROUP: 2.0 PUMP SET
GRUPPE: 2.0 JEU (ENSEMBLE) DE POMPE

A2

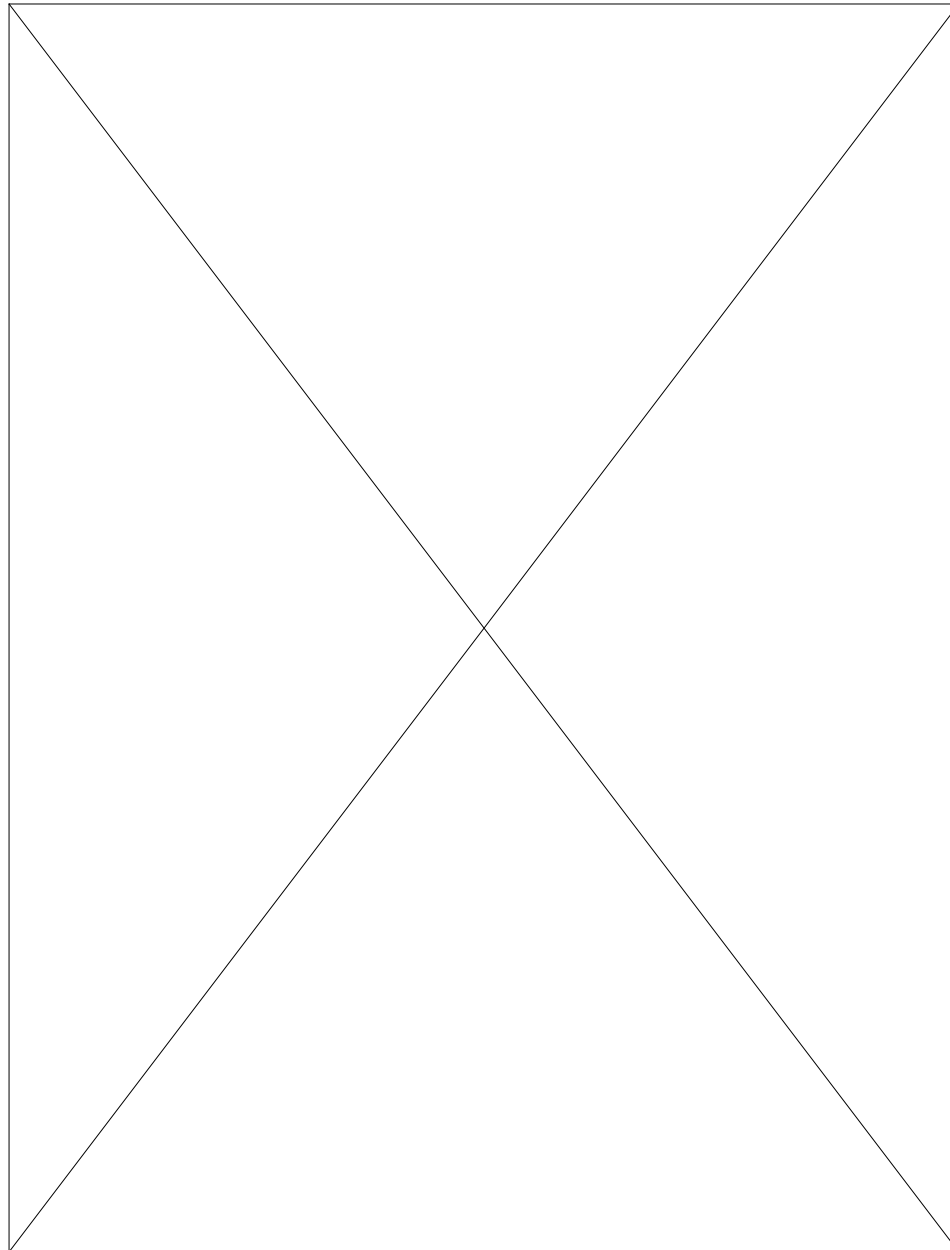
HDS 890

GRUPPE: 2.0 PUMPENSATZ
GROUP: 2.0 PUMP SET
GRUPPE: 2.0 JEU (ENSEMBLE) DE POMPE

GRUPPE: 2.0 PUMPENSATZ
GROUP: 2.0 PUMP SET
GRUPPE: 2.0 JEU (ENSEMBLE) DE POMPE

B2

HDS 890



Symbolbeschreibung siehe M16 / symbol description see M16 / désignation de système voir M16 /

GRUPPE: 2.0 PUMPENSATZ
 GROUP: 2.0 PUMP SET
 GROUPE: 2.0 JEU (ENSEMBLE) DE POMPE

C2

HDS 890

POS. ITM. POS.	BENNENNUNG DESCRIPTION DESIGNATION	TEILE-NR. PART-NO. NO.PIECE	STCK QTY. NBR.	POS. ITM. POS.	BENNENNUNG DESCRIPTION DESIGNATION	TEILE-NR. PART-NO. NO.PIECE	STCK QTY. NBR.
1	KOLBEN KPL. / PISTON / PISTON	4.553-075.0	3	35	ZYL.SCHR. M10X100 / CHEESE HEAD SCREW / VIS A TETE CYLINDR.	7.306-066.0	4
2	O-RING KPL./1ST.-R. / GASKET / BAQUE D'ETANCHEITE	6.362-365.0	3	36	SPRENGRING A 6 / SPRING RING / CIRCLIP	6.343-143.0	1
3	KERAMIKHUELSE / CERAMIC POD / DOUILLE CERAMIQUE	5.110-220.0	3	37	HUELSE / SLEEVE / DOUILLE	5.110-367.0	1
4	DICHTRING / JOINT RING / BAGUE D'ETANCHEITE	5.363-162.0	3	38	SCHRAUBENFEDER / HELICAL SPRING / RESSORT CYLINDRIQUE	5.332-110.0	1
5	FORMSCHRAUBE / SCREW / VIS	5.305-111.0	3	39	O-RING KPL./1ST.-R. / GASKET / BAQUE D'ETANCHEITE	6.362-477.0	1
6	SPRENGRING 20 / SPRING RING / CIRCLIP	6.472-331.0	3	40	O-RING KPL./1ST.-R. / GASKET / BAQUE D'ETANCHEITE	6.362-602.0	1
7	DRUCKSPEICHER / PULSATION DAMPER / ANTI-BELIER	6.505-028.0	1	41	O-RING 10 X 1,5 / GASKET / BAQUE D'ETANCHEITE	6.362-482.0	2
8	DICHTRING 16 X20 / JOINT RING / BAGUE D'ETANCHEITE	7.362-007.0	1	42	SPINDEL / SPINDLE / PIVOT	5.291-040.0	1
9	SCHEIBE / WASHER / RONDELLE	5.115-289.0	3	43	LINSENSCHR. M 4X 6 / OVAL HEAD SCREW / VIS A TETE BOMBEE	7.306-323.0	1
10	SCHRAUBENFEDER / HELICAL SPRING / RESSORT CYLINDRIQUE	5.332-150.0	3	44	O-RING 11,0 X 1,3 / GASKET / BAQUE D'ETANCHEITE	6.362-402.0	1
11	O-RING 100,0 X 1,78 / GASKET / BAQUE D'ETANCHEITE	6.362-448.0	1	45	GRIFF / HANDLE / POIGNEE	5.321-263.0	1
12	GEHAEUSE / HOUSING / BOITIER	5.060-182.0	1	46	HUELSE / SLEEVE / DOUILLE	5.110-368.0	1
13	ZYL.SCHR. M 8X 20 / CHEESE HEAD SCREW / VIS A TETE CYLINDR.	7.306-041.0	3	47	SCHLAUCHSTUECK / HOSE / BOUT DE TUYAU	5.442-503.0	1
14	O-RING 34,65X 1,78 / GASKET / BAQUE D'ETANCHEITE	6.362-484.0	3	48	O-RING 17,0 X 2,5 / GASKET / BAQUE D'ETANCHEITE	6.362-483.0	3
15	NUTRING 20X28X6/8 / GROOVED RING / JOINT A LEVRES	6.365-052.0	3	49	VENTILSCHRAUBE / VALVE SCREW / VIS POINTEAU (SOUP.)	5.583-060.0	2
16	SCHEIBE / WASHER / RONDELLE	5.115-255.0	3	50	O-RING 4,0 X 1,0 / GASKET / BAQUE D'ETANCHEITE	6.362-452.0	1
17	KOMPAKTDI. 20X30X6 / SEAL / JOINT	6.365-053.0	3	52	VENTILSITZ / VALVE SEAT / SIEGE DE SOUPAPE	5.581-093.0	1
18	BUCHSE / BUSH / DOUILLE	5.112-181.0	3	53	SICHERHEITSVENTIL / SAFETY VALVE / SOUPAPE (TROP-PLEIN)	6.412-604.0	1
19	SCHEIBE / WASHER / RONDELLE	5.115-224.0	3	55	VENTILSCHRAUBE / VALVE SCREW / VIS POINTEAU (SOUP.)	5.583-062.0	1
21	ZYLINDERKOPF KPL. / CYLINDER HEAD / CULASSE	4.550-146.0	1	56	DICHTRING 10 X13,5 / JOINT RING / BAGUE D'ETANCHEITE	7.362-003.0	2
22	HD-SCHLAUCH DN 8 / HIGH PRESSURE HOSE / TUYAU FLEXIBLE HAUTE PRE.	6.388-859.0	1	57	HD-SCHLAUCH DN 5 / HIGH PRESSURE HOSE / TUYAU FLEXIBLE HAUTE PRE.	6.388-843.0	1
23	O-RING 15,0 X 2,0 / GASKET / BAQUE D'ETANCHEITE	6.362-427.0	1	58	HOHLSCHRAUBE 6-3 / HOLLOW SCREW / BOULON CREUX	7.386-363.0	1
24	VENTIL / VALVE / SOUPAPE	4.580-114.0	1	59	PUMPENSET / PUMP SET / GROUPE DE POMPES	2.880-283.0	1
25	SCHLAUCHSCHELLE / HOSE BAND CLIP / COLLIER DE SERRAGE	6.388-515.0	1				
26	SCHLAUCH DN 7 / HOSE / TUYAU FLEXIBLE	6.388-194.0	1				
	ALS METERWARE BESTELLEN/TO ORDER AS CUT GOODS/COMMANDE COMME MARCHANDISE AU METRE						
27	SCHRAUBE M 6X 30 / SCREW / VIS	7.306-105.0	4				
28	ZYL.SCHR. M 8X 30 / CHEESE HEAD SCREW / VIS A TETE CYLINDR.	7.306-043.0	2				
29	VENTILGEHAEUSE / VALVE HOUSING / CORPS DE SOUPAPE	5.587-107.0	1				
30	O-RING 12,42X 1,78 / GASKET / BAQUE D'ETANCHEITE	6.362-480.0	1				
31	O-RING 15,3 X 2,4 / GASKET / BAQUE D'ETANCHEITE	6.362-153.0	2				
32	HUELSE / SLEEVE / DOUILLE	5.110-210.0	2				
33	O-RING 14,0 X 2,0 / GASKET / BAQUE D'ETANCHEITE	6.362-481.0	6				
34	VENTIL KPL. / VALVE / SOUPAPE	4.580-117.0	6				

"=> xxxxxx" = bis Werknummer / up to serial No. / jusqu' au No. de fabr. / "xxxxxx =>" = ab Werknummer / from serial No. / a partir du No. de fabr. /

GRUPPE: 3.0 MOTOR
GROUP: 3.0 MOTOR
GRUPPE: 3.0 MOTEUR

A3

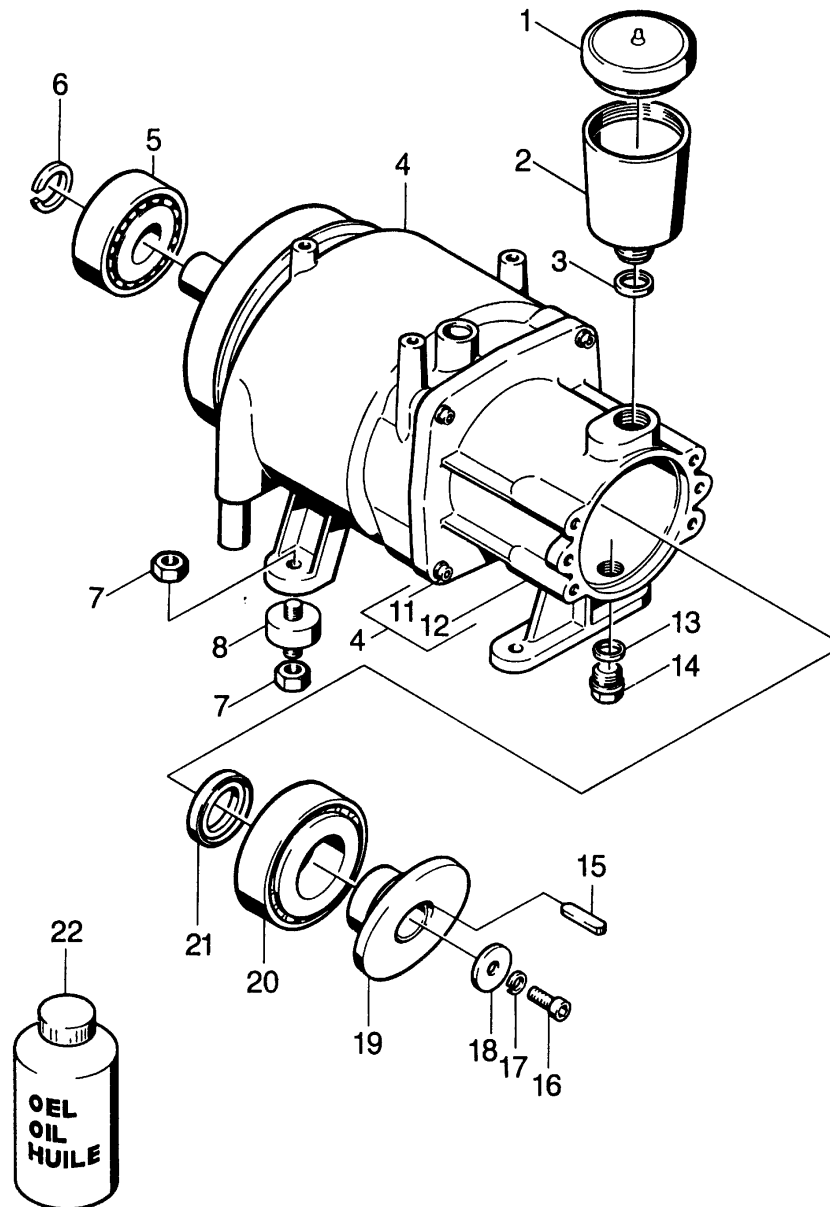
HDS 890

GRUPPE: 3.0 MOTOR
GROUP: 3.0 MOTOR
GRUPPE: 3.0 MOTEUR

GRUPPE: 3.0 MOTOR
GROUP: 3.0 MOTOR
GRUPPE: 3.0 MOTEUR

B3

HDS 890



Symbolbeschreibung siehe M16 / symbol description see M16 / désignation de système voir M16 /

GRUPPE: 3.0 MOTOR
GROUP: 3.0 MOTOR
GROUPE: 3.0 MOTEUR

C3

HDS 890

POS. ITM. POS.	BENNENUNG DESCRIPTION DESIGNATION	TEILE-NR. PART-NO. NO.PIECE	STCK QTY. NBR.
1	DECKEL / COVER / COUVERCLE	5.063-189.0	1
2	BEHAELTER / TANK / BAC	5.070-048.0	1
3	DICHTRING / JOINT RING / BAGUE D'ETANCHEITE	5.363-100.0	1
4	E-MOTOR / ELECTRIC MOTOR / MOTEUR ELECTRIQUE	6.611-236.0	1
5	KUGELLAGER 6305-2Z / BALL BEARING / ROULEMENT A BILLE	6.401-253.0	1
6	S-RING 25X1,2 / SPRING CLIP / CIRCLIP	7.343-008.0	1
7	6KT-MUTTER M 8 / HEXAGON NUT / ECROU HEXAGONAL	7.311-510.0	8
8	GUMMIPUFFER M8 / RUBBER BUFFER / BUTOIR CAOUTCHOUC	6.339-060.0	4
11	SCHRAUBE M 6X 30 / SCREW / VIS	7.306-105.0	3
12	GEHAEUSE / HOUSING / BOITIER	5.060-181.0	1
13	DICHTRING 18 X22 / JOINT RING / BAGUE D'ETANCHEITE	7.362-009.0	1
14	VS-SCHRAUBE M18X1,5 / CLOSING SCREW / VIS DE FERMETURE	7.382-235.0	1
15	PASSFEDER 5X 3X 12 / SPRING / RESSORT D'ADJUSTAGE	7.318-012.0	1
16	ZYL.SCHR. M 8X 20 / CHEESE HEAD SCREW / VIS A TETE CYLINDR.	7.306-041.0	1
17	FEDERRING 8 / SPRING WASHER / RONDELLE GROWER	7.313-051.0	1
18	SCHEIBE 8 / WASHER / RONDELLE	7.312-261.0	1
19	TAUMELSCHEIBE / SWASH PLATE / DISQUE EN NUTATION	5.120-125.0	1
21	RWDR A35 X 52 X 7 / ROTARY SHAFT SEAL / JOINT (ARBRE)	7.367-009.0	1
22	GETRIEBEOEL 1L / GEAR LUBRICANT OIL / HUILE A ENGRENAGES	6.288-016.0	11

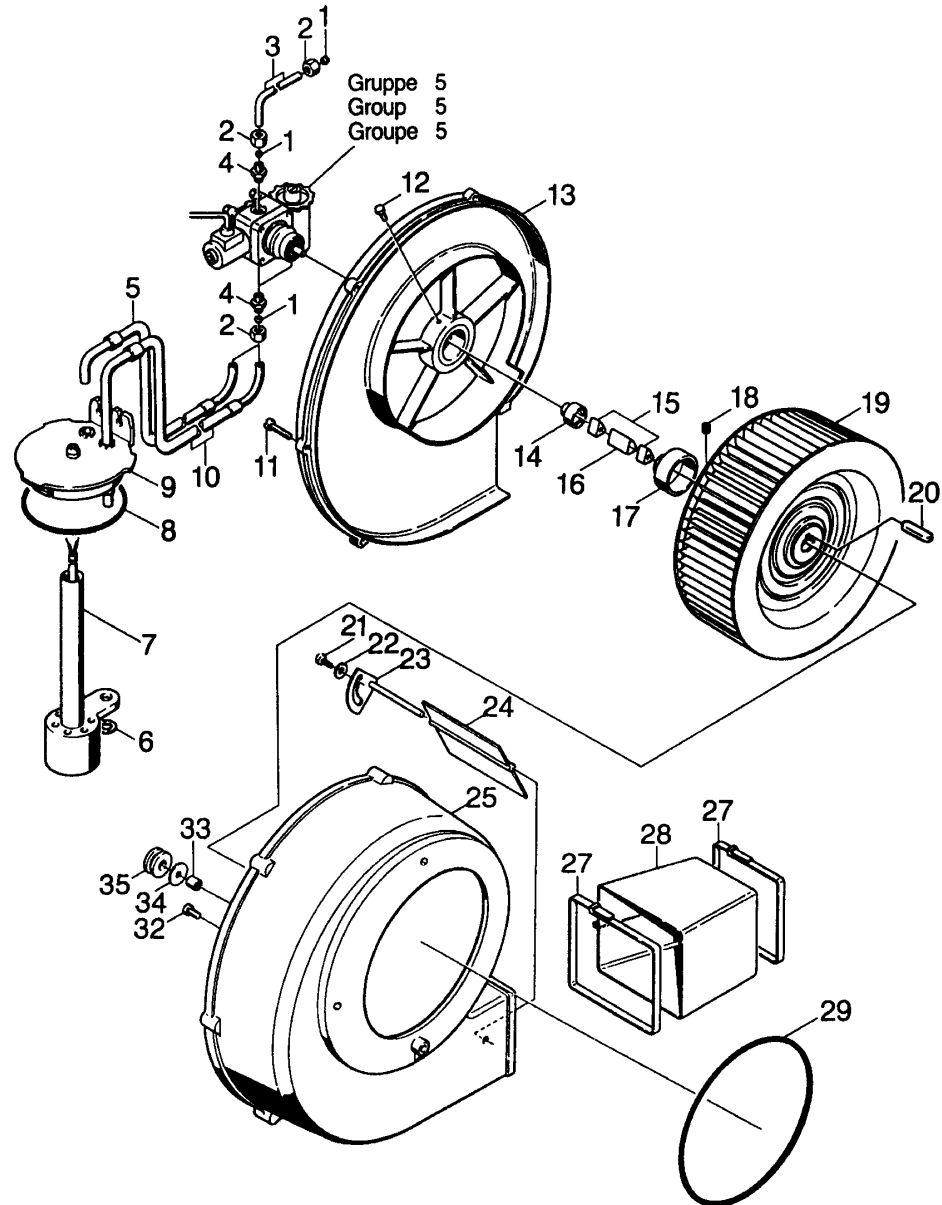
"=> xxxxxx" = bis Werknummer / up to serial No. / jusqu' au No. de fabr. / "xxxxxx =>" = ab Werknummer / from serial No. / a partir du No. de fabr. /

GRUPPE: 4.0 GEBLAESE / GRUPPE: 4
GROUP: 4.0 BLOWER / GROUP: 4
GRUPPE: 4.0 VENTILATEUR / GROUPE: 4

A4

HDS 890

GRUPPE: 4.0 GEBLAESE
GROUP: 4.0 BLOWER
GRUPPE: 4.0 VENTILATEUR



Symbolbeschreibung siehe M16 / symbol description see M16 / désignation de système voir M16 /

GRUPPE: 4.0 GEBLAESE / GRUPE: 4
GROUP: 4.0 BLOWER / GROUP: 4
GRUPPE: 4.0 VENTILATEUR / GROUPE: 4

C4

HDS 890

POS. ITM. POS.	BENNENNUNG DESCRIPTION DESIGNATION	TEILE-NR. PART-NO. NO.PIECE	STCK QTY. NBR.
1	SCHNEIDRING D 6-L/S / CUTTING RING / BAGUE COUPANTE	6.386-160.0	4
2	UE-MUTTER A 6-L / UNION NUT / ECROU RACOURD	6.386-346.0	4
3	LEITUNGSROHR / PIPE / TUBE CONDUCTEUR	5.423-013.0	1
4	STUTZEN 6-L1/8NPT / CONNECTION PIECE / TUBULURE	6.386-181.0	3
5	SCHLAUCHLEITUNG / HOSE ASSEMBLY / CONDUITE	6.388-333.0	1
6	SICHERUNGSSCHEIBE / LOCK WASHER / RONDELLE D'ARRET	6.343-119.0	1
7	NIVEAUFUEHLER / LEVEL PROBE / DETECTEUR DE NIVEAU	6.631-439.0	1
8	O-RING 68,0 X 4,0 / GASKET / BAQUE D'ETANCHEITE	6.362-474.0	1
9	FORMTEIL / MOULDED PART / PREFORME	5.030-434.0	1
10	SCHLAUCHLEITUNG / HOSE ASSEMBLY / CONDUITE	6.388-334.0	1
11	BL.SCHR. ST4,8X25-C / SHEET METAL SCREW / VIS A TOLE	7.309-022.0	7
12	SCHRAUBE M 6X 16 / SCREW / VIS	7.306-090.0	1
13	DECKEL / COVER / COUVERCLE	5.063-206.0	1
14	KUPPLUNGSTEIL / COUPLING ELEMENT / PIECE D'ACCOUPL.	6.463-008.0	1
15	KUPPLUNGSTEIL / COUPLING ELEMENT / PIECE D'ACCOUPL.	6.463-020.0	2
16	KUPPLUNGSTEIL / COUPLING ELEMENT / PIECE D'ACCOUPL.	5.471-050.0	1
17	KUPPLUNGSTEIL / COUPLING ELEMENT / PIECE D'ACCOUPL.	5.471-049.0	1
18	GEW.STIFT M 8X 6 / THREADED PIN / VIS SANS TETE	7.307-407.0	1
19	GEBLAESERAD ALU / BLOWER WHEEL / ROUE DE VENTILATEUR	6.484-048.0	1
20	PASSFEDER 5X 5X 16 / SPRING / RESSORT D'ADJUSTAGE	7.318-002.0	1
21	BL.SCHR. ST4,8X16 / SHEET METAL SCREW / VIS A TOLE	7.303-077.0	1
22	SCHEIBE 5 / WASHER / RONDELLE	7.312-278.0	1
23	KLAPPENWELLE / FLAP SHAFT / ESSIEU	5.603-012.0	1
24	LUFTKLAPPE / AIR FLAP / VOLET D'ADMIS.D'AIR	5.606-001.0	1
25	GEHAEUSE / HOUSING / BOITIER	5.605-073.0	1
27	SPANNBAND / BANNER / BANDEROLE	6.388-608.0	2
28	TUCHMANSCHETTE / CLOTH COLLAR / MANCHETTE	5.178-016.0	1
29	O-RING 143,0 X 2,0 / GASKET / BAQUE D'ETANCHEITE	6.362-456.0	1
32	6KT-SCHR. M 6X 25 / HEXAGONAL HEAD SCREW / VIS HEXAGONAL	7.304-386.0	4
33	HUELSE / SLEEVE / DOUILLE	5.110-222.0	4
34	SCHEIBE / WASHER / RONDELLE	5.115-233.0	4
35	GUMMIRING / RUBBER RING / RONDELLE CAOUTCHOUC	5.379-008.0	4

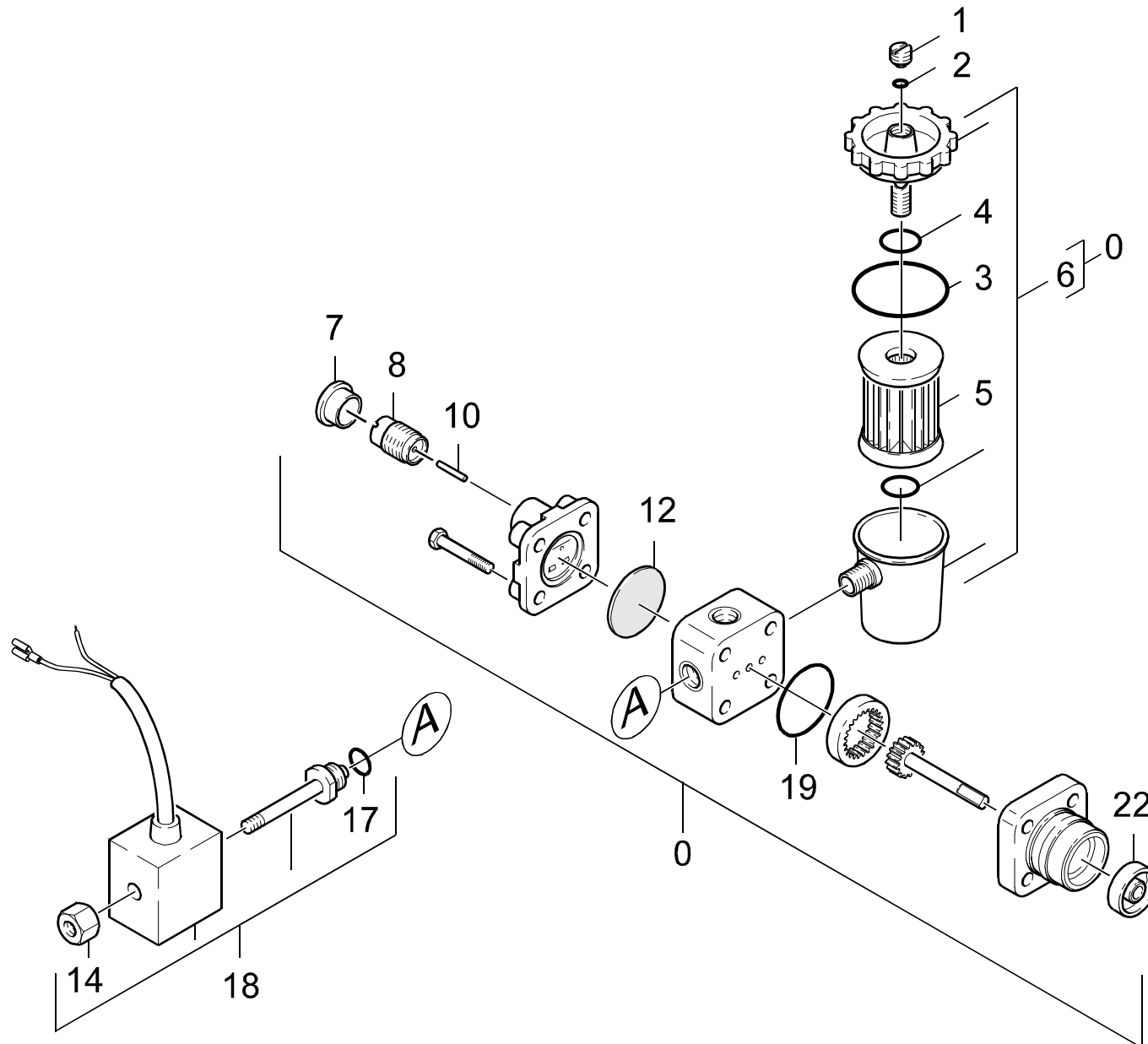
"=> xxxxxx" = bis Werknummer / up to serial No. / jusqu' au No. de fabr. / "xxxxxx =>" = ab Werknummer / from serial No. / a partir du No. de fabr. /

GRUPPE: 5.0 BRENNSTOFFPUMPE
GROUP: 5.0 FUEL PUMP
GRUPPE: 5.0 POMPE DE COMBUSTIBLE

A5

HDS 890

GRUPPE: 5.0 BRENNSTOFFPUMPE
GROUP: 5.0 FUEL PUMP
GRUPPE: 5.0 POMPE DE COMBUSTIBLE



Symbolbeschreibung siehe M16 / symbol description see M16 / désignation de système voir M16 /

GRUPPE: 5.0 BRENNSTOFFPUMPE
GROUP: 5.0 FUEL PUMP
GROUPE: 5.0 POMPE DE COMBUSTIBLE

C5

HDS 890

POS. ITM. POS.	BENNENUNG DESCRIPTION DESIGNATION	TEILE-NR. PART-NO. NO.PIECE	STCK QTY. NBR.
0	BRENNSTOFFPUMPE / FUEL PUMP / POMPE DE COMBUSTIBLE	6.472-925.0	1
1	ENTLUEFTUNGSSCHR. / VENT SCREW / VIS D'AIR	6.472-107.0	1
2	O-RING 5,0 X 1,8 / GASKET / BAQUE D'ETANCHEITE	6.472-106.0	1
3	O-RING 32,0 X 1,6 / GASKET / BAQUE D'ETANCHEITE	6.472-111.0	1
4	O-RING 10,0 X 2,4 / GASKET / BAQUE D'ETANCHEITE	6.472-112.0	1
5	FILTEREINSATZ / FILTER CARTRIDGE / CARTOUCHE FILTRANTE	6.472-113.0	1
6	FILTERGEHAEUSE KPL. / FILTER CASE / BATI DE FILTRE	6.472-123.0	1
7	SCHUTZKAPPE / PROTECTING CAP / CAPOT PROTECTION	6.472-122.0	1
8	FEDERGEHAEUSE / SPRING HOUSING / BARILLET	6.472-109.0	1
10	STIFT / PIN / CHEVILLE	6.472-108.0	1
12	MEMBRANE / DIAPHRAGM / MEMBRANE	6.472-128.0	1
14	RAENDELMUTTER / KNURLED NUT / ECROU MOLETE	6.472-340.0	1
17	O-RING 12,0 X 1,5 / GASKET / BAQUE D'ETANCHEITE	6.472-125.0	1
18	MAGNETVENTIL KOMPL. / SOLENOID VALVE / ELECTROVANNE	6.472-389.0	1
19	O-RING 28,5 X 1,6 / GASKET / BAQUE D'ETANCHEITE	6.472-120.0	1
22	ACHSENDICHTUNG / SHAFT SEAL / ETOUPAGE D'ESSIEU	6.472-105.0	1

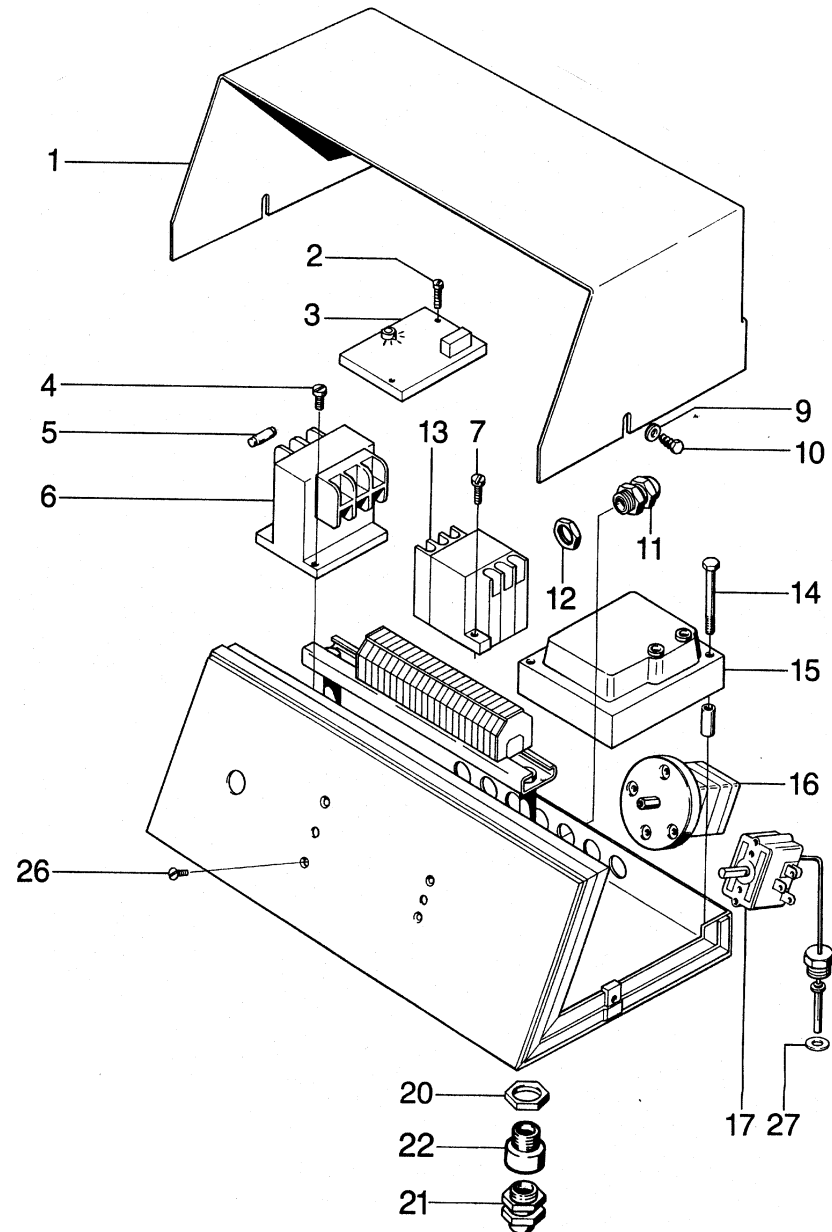
"=> xxxxxx" = bis Werknummer / up to serial No. / jusqu' au No. de fabr. / "xxxxxx =>" = ab Werknummer / from serial No. / a partir du No. de fabr. /

GRUPPE: 6.0 E-GERAETESCHRANK
GROUP: 6.0 ELECTRIC CONTROL BOX
GRUPPE: 6.0 COFFRET ELECTRIQUE

A6

HDS 890

GRUPPE: 6.0 E-GERAETESCHRANK
GROUP: 6.0 ELECTRIC CONTROL BOX
GRUPPE: 6.0 COFFRET ELECTRIQUE



Symbolbeschreibung siehe M16 / symbol description see M16 / désignation de système voir M16 /

GRUPPE: 6.0 E-GERAETESCHRANK
GROUP: 6.0 ELECTRIC CONTROL BOX
GROUPE: 6.0 COFFRET ELECTRIQUE

C6

HDS 890

POS. ITM. POS.	BENNENNUNG DESCRIPTION DESIGNATION	TEILE-NR. PART-NO. NO.PIECE	STCK QTY. NBR.
1	HAUBE / COVER / CAPOT	5.066-122.0	1
2	SCHNEIDSCHR. M3X 16 / SELF-TAPPING SCREW / VIS AUTOTARAUEUSE	6.303-014.0	2
3	IMPULSGEBER / PULSE GENERATOR / CONTACTEUR	6.633-090.0	1
4	SCHNEIDSCHR. M4X 8 / SELF-TAPPING SCREW / VIS AUTOTARAUEUSE	6.303-017.0	2
5	G-SCHMELZEINSATZ / CARTRIDGE / BOUCHON FUSIBLE	6.644-103.0	1
6	STEUERTRAFO / TRANSFORMER / TRANSFORMATEUR	6.622-069.0	1
7	SCHRAUBE M 4X 16 / SCREW / VIS	7.303-033.0	2
8	SCHEIBE 4 / WASHER / RONDELLE	7.312-001.0	2
9	SCHEIBE 5 / WASHER / RONDELLE	7.312-278.0	2
10	BL.SCHR. ST4,8X16,0 / SHEET METAL SCREW / VIS A TOLE	7.303-121.0	2
11	KABELVERSCHR. PG 9 / CABLE CONNECTOR / RACCORD DE CABLES	6.641-355.0	8
12	GEGENMUTTER PG 9 / COUNTERNUT / CONTRE-ECROU	6.641-366.0	8
13	SCHUETZ 24V 60HZ / CONTACTOR / CONTACTEUR	6.632-123.0	1
14	SCHRAUBE M 5X 8 / SCREW / VIS	7.303-036.0	2
15	ZUENDTRAFO 460-480V / TRANSFORMER / TRANSFORMATEUR	6.622-133.0	1
16	GERAETESCHALTER / SWITCH / INTERRUPTEUR	6.631-197.0	1
17	TEMPERATURREGLER / THERMOSTAT / THERMOSTAT	6.685-375.0	1
20	GEGENMUTTER PG13,5 / COUNTERNUT / CONTRE-ECROU	6.641-369.0	2
21	KABELVERSCHR. PG16 / CABLE CONNECTOR / RACCORD DE CABLES	6.641-356.0	2
22	ERWEITERUNGSSTUECK / ADAPTOR / PIECE DE EXTENSION	6.641-394.0	2
26	SENKSCHR. M 4X 8 / FLAT HEADED SCREW / VIS A TETE CONIQUE	7.305-021.0	4
27	SCHEIBE / WASHER / RONDELLE	5.115-375.0	1

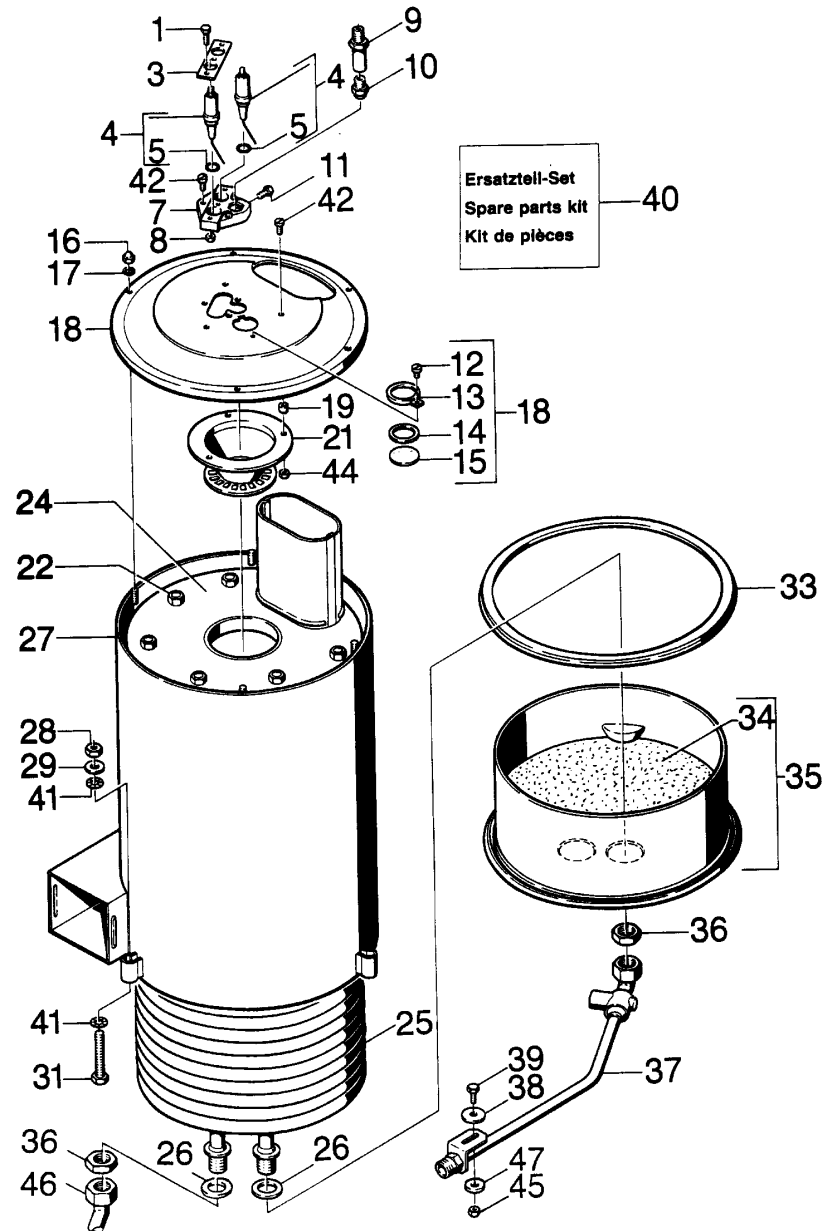
"=> xxxxxx" = bis Werknummer / up to serial No. / jusqu' au No. de fabr. / "xxxxxx =>" = ab Werknummer / from serial No. / a partir du No. de fabr. /

GRUPPE: 7.0 DURCHLAUFERHITZER / GRUPE: 7
GROUP: 7.0 FLOW HEATER / GROUP: 7
GRUPPE: 7.0 CHAUFFE-EAU RAPIDE / GROUPE: 7

A7

HDS 890

GRUPPE: 7.0 DURCHLAUFERHITZER
GROUP: 7.0 FLOW HEATER
GRUPPE: 7.0 CHAUFFE-EAU RAPIDE



Symbolbeschreibung siehe M16 / symbol description see M16 / désignation de système voir M16 /

GRUPPE: 7.0 DURCHLAUFERHITZER / GRUPPE: 7
 GROUP: 7.0 FLOW HEATER / GROUP: 7
 GROUPE: 7.0 CHAUFFE-EAU RAPIDE / GROUPE: 7

C7

HDS 890

POS. ITM. POS.	BENNENNUNG DESCRIPTION DESIGNATION	TEILE-NR. PART-NO. NO.PIECE	STCK QTY. NBR.	POS. ITM. POS.	BENNENNUNG DESCRIPTION DESIGNATION	TEILE-NR. PART-NO. NO.PIECE	STCK QTY. NBR.
1	6KT-SCHR. M 5X 16 / HEXAGONAL HEAD SCREW / VIS HEXAGONAL	7.304-372.0	3	42	ZYL.SCHR. M 5X 12 / CHEESE HEAD SCREW / VIS A TETE CYLINDR.	7.306-443.0	6
3	LASCHE / RETAINER CLIP / ECLISSE	5.004-228.0	1	44	6KT-MUTTER M 5 / HEXAGON NUT / ECROU HEXAGONAL	7.311-002.0	3
4	ERSATZTEILSET / SPARE PARTS KIT / KIT DE PIECES	2.880-177.0	1	45	6KT-MUTTER M 6 / HEXAGON NUT / ECROU HEXAGONAL	7.311-003.0	1
5	DICHTRING 12 X15,5 / JOINT RING / BAGUE D'ETANCHEITE	7.362-004.0	2	46	ROHRLEITUNG / PIPELINES / CONDUITE	4.420-912.0	1
7	KERZENHALTER / SPARK HOLDER / SUPPORT BOUGIE	5.668-001.0	1	47	SCHEIBE 6 / WASHER / RONDELLE	7.312-276.0	1
8	6KT-MUTTER M 5 / HEXAGON NUT / ECROU HEXAGONAL	7.311-037.0	3				
9	DUESENHALTER / NOZZLE HOLDER / PORTE - BUSE	5.667-021.0	1				
10	DUESE 1,5 60G A / NOZZLE / BUSE	6.415-040.0	1				
11	SCHRAUBE M 5X 12 / SCREW / VIS	7.306-076.0	7				
12	BL.SCHR. ST3,5X 6,5 / SHEET METAL SCREW / VIS A TOLE	7.303-012.0	1				
13	BLECH / PLATE / TOLE	5.000-590.0	1				
14	FLACHDICHTUNG / SEAL / GARNITURE PLATE	5.364-100.0	1				
15	GLASSCHEIBE / GLASS PANE / VITRE	6.278-014.0	1				
16	HUTMUTTER M 6 / CAP NUT / ECROU BORGNE	7.311-380.0	3				
17	ZAHNSCHEIBE A 6,4 / LOCK WASHER / ROUE PLATE	7.312-167.0	2				
18	DECKEL D.K / COVER / COUVERCLE	4.654-089.0	1				
19	HUELSE / SLEEVE / DOUILLE	5.110-315.0	3				
21	BRENNEREINSATZ / BURNER CAGE / BRULEUR CAGE	4.663-060.0	1				
22	6KT-MUTTER M 6 / HEXAGON NUT / ECROU HEXAGONAL	7.311-039.0	4				
24	BRENNEREINSATZ / BURNER CAGE / BRULEUR CAGE	4.663-057.0	1				
25	HEIZSCHLANGE / HEATING COIL / SERPENTIN	4.680-063.0	1				
26	PROFILDICHTUNG / SEAL / ETOUPE PROFILE	5.365-068.0	2				
27	AUSSENMANTEL / OUTER JACKET / ENVELOPPE	4.652-055.0	1				
28	6KT-MUTTER M10 / HEXAGON NUT / ECROU HEXAGONAL	7.311-511.0	3				
29	SCHEIBE 10 / WASHER / RONDELLE	7.312-005.0	3				
31	6KT-SCHR. M10X 65 / HEXAGONAL HEAD SCREW / VIS HEXAGONAL	7.304-422.0	3				
32	ZARGE / FRAME / HUISSIERE	5.012-202.0	1				
33	DICHTSCHNUR / SEAL STRING / CORDE DE BOURRAGE	6.366-009.0	1				
34	STAMPFMASSE 8KG / REFRACTORY MATERIAL / PISE REFRACT. DAME	2.889-061.0	1				
35	BODEN D.K. / BOTTOM / FOND	4.655-036.0	1				
36	6KT-MUTTER M22X1,5 / HEXAGON NUT / ECROU HEXAGONAL	7.311-155.0	2				
37	ROHRLEITUNG / PIPELINES / CONDUITE	4.420-910.0	1				
38	UNTERLAGE / SPACER / COUSSINET	5.378-058.0	1				
39	SCHRAUBE M 6X 16 / SCREW / VIS	7.306-090.0	2				
40	ERSATZTEILSET / SPARE PARTS KIT / KIT DE PIECES	2.880-266.0	1				
41	ZAHNSCHEIBE A 10,5 / LOCK WASHER / ROUE PLATE	7.312-160.0	2				

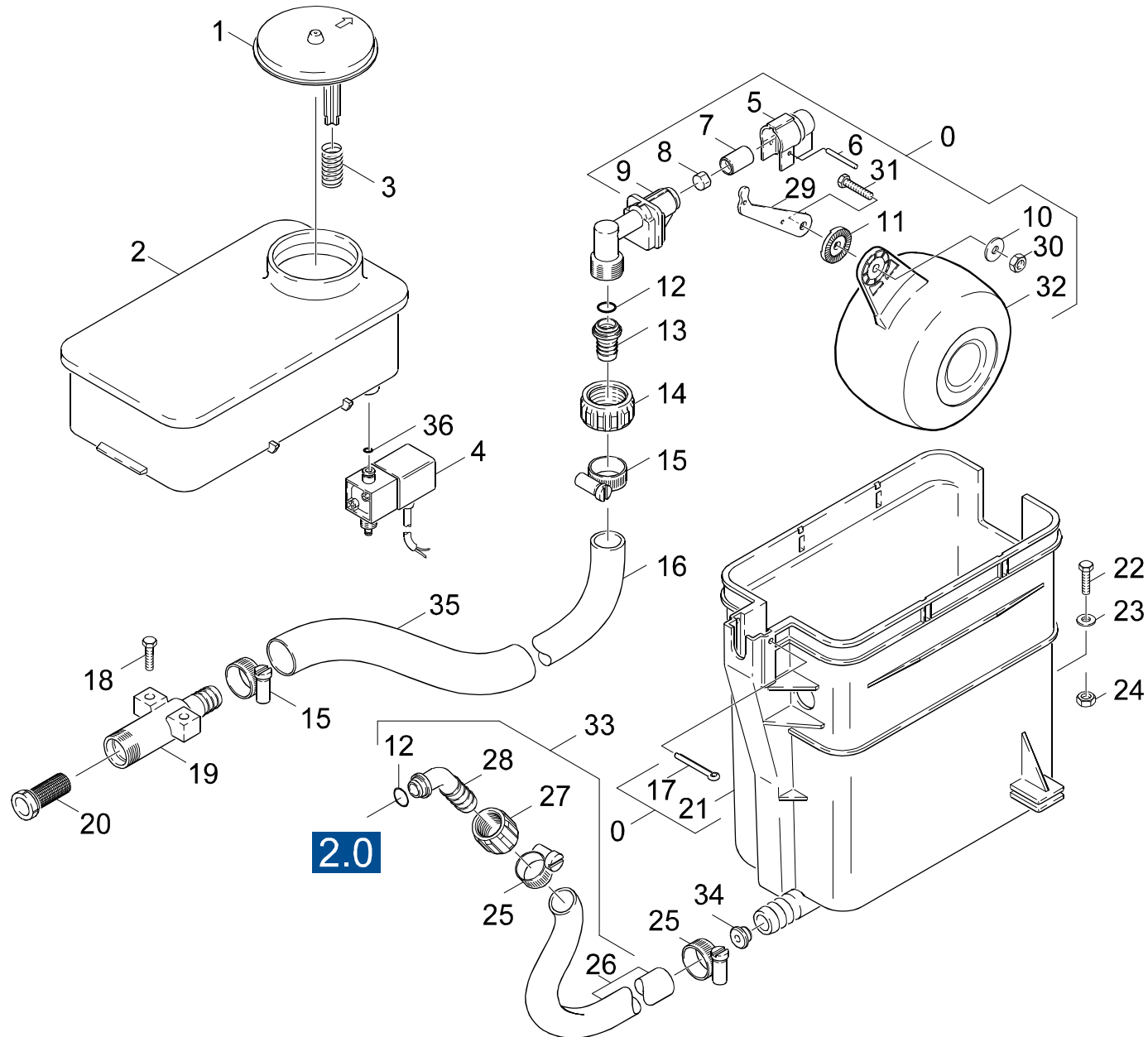
"=> xxxxxx" = bis Werknummer / up to serial No. / jusqu' au No. de fabr. / "xxxxxx =>" = ab Werknummer / from serial No. / a partir du No. de fabr. /

GRUPPE: 8.0 SCHWIMMERKASTEN
GROUP: 8.0 FLOAT CHEST
GRUPPE: 8.0 BOITE DU FLOTTEUR

A8

HDS 890

GRUPPE: 8.0 SCHWIMMERKASTEN
GROUP: 8.0 FLOAT CHEST
GRUPPE: 8.0 BOITE DU FLOTTEUR



Symbolbeschreibung siehe M16 / symbol description see M16 / désignation de système voir M16 /

GRUPPE: 8.0 SCHWIMMERKASTEN
GROUP: 8.0 FLOAT CHEST
GROUPE: 8.0 BOITE DU FLOTTEUR

C8

HDS 890

POS. ITM. POS.	BENNENUNG DESCRIPTION DESIGNATION	TEILE-NR. PART-NO. NO.PIECE	STCK QTY. NBR.
0	SCHWIMMERVENTIL / FLOAT VALVE / SOUPAPE A FLOTTEUR	3.593-054.0	1
1	DECKEL / COVER / COUVERCLE	5.063-226.0	1
2	BEHAELTER / TANK / BAC	4.070-094.0	1
3	SCHRAUBENFEDER / HELICAL SPRING / RESSORT CYLINDRIQUE	5.332-001.0	1
4	MAGNETVENTIL / SOLENOID VALVE / ELECTROVANNE	6.685-210.0	1
5	SCHUTZTEIL / PROTECTION PART / PARTIE PROTECTEUR	5.394-066.0	1
6	BOLZEN 3,0X 25 / BOLT / BOULON	7.316-004.0	1
7	VENTILBOLZEN / VALVE PIN / BOULON DE SOUPAPE	5.584-026.0	1
8	FLACHDICHTUNG / SEAL / GARNITURE PLATE	5.364-095.0	1
9	VENTILGEHAEUSE / VALVE HOUSING / CORPS DE SOUPAPE	5.587-103.0	1
10	SCHEIBE 6 / WASHER / RONDELLE	7.312-279.0	1
11	SCHEIBE / WASHER / RONDELLE	5.115-158.0	1
12	O-RING 13,3 X 2,4 / GASKET / BAQUE D'ETANCHEITE	6.362-078.0	2
13	SCHLAUCHNIPPEL / HOSE STEM / RACCORD DE FLEXIBLE	5.443-224.0	1
14	MUTTER R 3/4Z / NUT / ECROU	5.310-061.0	1
15	SCHLAUCHSCHELLE / HOSE BAND CLIP / COLLIER DE SERRAGE	6.388-547.0	2
16	SCHLAUCH DN16 / HOSE / TUYAU FLEXIBLE	6.388-719.0	1
17	SPLINT 4,0X 50 / COTTER / GOUPILLE FENDUE	7.316-432.0	1
18	SCHRAUBE M 6X 16 / SCREW / VIS	7.306-090.0	1
19	KNOTENSTUECK / MANIFOLD / FERRURE NODALE	5.427-087.0	1
20	SIEB / STRAINER / CREPINE	6.414-141.0	1
21	BEHAELTER / TANK / BAC	5.070-064.0	1
22	BL.SCHR. ST4,8X25,0 / SHEET METAL SCREW / VIS A TOLE	7.303-364.0	2
23	SCHEIBE 5 / WASHER / RONDELLE	7.312-278.0	2
24	SCHNAPPMUTTER 4,8 / SNAP NUT / ECROU A ENCLANCH.	6.310-028.0	2
25	KABELBAND 8-210 / CABLE TIE / PROTECT. DE CABLE	6.641-474.0	2
26	SCHLAUCH 19X4 / HOSE / TUYAU FLEXIBLE	6.388-721.0	1
27	MUTTER / NUT / ECROU	5.310-062.0	1
28	SCHLAUCHNIPPEL / HOSE STEM / RACCORD DE FLEXIBLE	5.443-211.0	1
29	HEBEL / LEVER / LEVIER	5.481-029.0	1
30	6KT-MUTTER M 6 / HEXAGON NUT / ECROU HEXAGONAL	7.311-422.0	1
31	SCHRAUBE M 6X 20 / SCREW / VIS	7.306-194.0	1
32	SCHWIMMER / FLOAT / FLOTTEUR	5.585-004.0	1
33	SCHLAUCH / HOSE / TUYAU FLEXIBLE	4.440-267.0	1
34	BUCHSE / BUSH / DOUILLE	5.112-189.0	1
35	SCHLAUCHSTUECK / HOSE / BOUT DE TUYAU	5.442-507.0	1
36	O-RING 6,07X 1,78 / GASKET / BAQUE D'ETANCHEITE	6.362-176.0	1

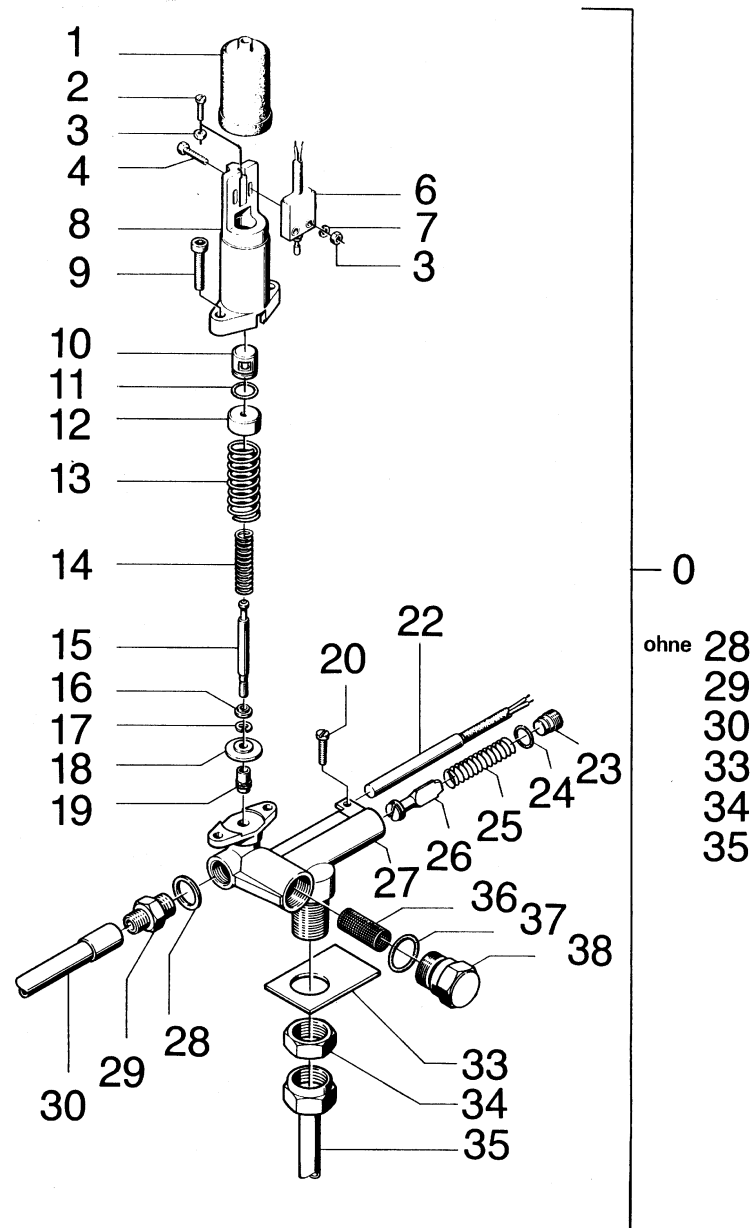
"=> xxxxxx" = bis Werknummer / up to serial No. / jusqu' au No. de fabr. / "xxxxxx =>" = ab Werknummer / from serial No. / a partir du No. de fabr. /

GRUPPE: 9.0 SICHERHEITSBLOCK
GROUP: 9.0 SAFETY SYSTEM
GRUPPE: 9.0 BLOC DE SECURITE

A9

HDS 890

GRUPPE: 9.0 SICHERHEITSBLOCK
GROUP: 9.0 SAFETY SYSTEM
GRUPPE: 9.0 BLOC DE SECURITE



Symbolbeschreibung siehe M16 / symbol description see M16 / désignation de système voir M16 /

GRUPPE: 9.0 SICHERHEITSBLOCK
 GROUP: 9.0 SAFETY SYSTEM
 GROUPE: 9.0 BLOC DE SECURITE

C9

HDS 890

POS. ITM. POS.	BENNENNUNG DESCRIPTION DESIGNATION	TEILE-NR. PART-NO. NO.PIECE	STCK QTY. NBR.	POS. ITM. POS.	BENNENNUNG DESCRIPTION DESIGNATION	TEILE-NR. PART-NO. NO.PIECE	STCK QTY. NBR.
0	SICHERHEITSBLOCK / SAFETY SYSTEM / BLOC DE SECURITE	4.749-085.0	1	38	VERSCHLUSSCHRAUBE / CLOSING SCREW / VIS DE FERMETURE	5.411-059.0	1
1	SCHUTZTEIL / PROTECTION PART / PARTIE PROTECTEUR	5.394-060.0	1				
2	SCHRAUBE M 3X 16 / SCREW / VIS	7.306-054.0	1				
3	6KT-MUTTER M 3 / HEXAGON NUT / ECROU HEXAGONAL	7.311-000.0	3				
4	6KT-SCHR. M 3X 20 / HEXAGONAL HEAD SCREW / VIS HEXAGONAL	7.304-352.0	2				
6	MIKROSCHALTER / MICRO SWITCH / MICRORUPTEUR	6.631-125.0	1				
7	FEDERRING B 3 / SPRING WASHER / RONDELLE GROWER	7.313-000.0	2				
8	GEHAEUSE / HOUSING / BOITIER	5.060-099.0	1				
9	SCHRAUBE M 6X 30 / SCREW / VIS	7.306-105.0	2				
10	KOLBEN / PISTON / PISTON	5.553-046.0	1				
11	O-RING 12,0 X 2,0 / GASKET / BAQUE D'ETANCHEITE	6.362-169.0	1				
12	BUCHSE / BUSH / DOUILLE	5.112-347.0	1				
13	SCHRAUBENFEDER / HELICAL SPRING / RESSORT CYLINDRIQUE	5.332-069.0	1				
14	SCHRAUBENFEDER / HELICAL SPRING / RESSORT CYLINDRIQUE	5.332-070.0	1				
15	STANGE / BAR / TIGE	5.107-023.0	1				
16	BUCHSE / BUSH / DOUILLE	5.112-094.0	1				
17	S-SCHEIBE 4 / LOCK WASHER / RONDELLE D'ARRET	7.343-203.0	1				
18	SCHEIBE / WASHER / RONDELLE	5.115-147.0	1				
19	KOLBEN / PISTON / PISTON	4.553-025.0	1				
20	SCHRAUBE M 6X 16 / SCREW / VIS	7.306-090.0	1				
22	ERSATZREEDSCHALTER / SPARE REED SWITCH / INTERRUPT.REED DE RESERVE	2.880-194.0	1				
23	FORMSCHRAUBE / SCREW / VIS	5.305-162.0	1				
24	O-RING 10 X 1,5 / GASKET / BAQUE D'ETANCHEITE	6.362-482.0	1				
25	SCHRAUBENFEDER / HELICAL SPRING / RESSORT CYLINDRIQUE	5.332-057.0	1				
26	KOLBEN / PISTON / PISTON	4.553-022.0	1				
27	GEHAEUSE / HOUSING / BOITIER	5.605-131.0	1				
28	DICHTRING 18 X22 / JOINT RING / BAGUE D'ETANCHEITE	7.362-009.0	1				
29	STUTZEN A12 M18X1,5 / CONNECTION PIECE / TUBULURE	7.386-476.0	1				
30	HD-SCHLAUCH DN 8 / HIGH PRESSURE HOSE / TUYAU FLEXIBLE HAUTE PRE.	6.388-859.0	1				
33	HALTER / BRACKET / FIXATION	5.042-261.0	1				
34	6KT-MUTTER M22X1,5 / HEXAGON NUT / ECROU HEXAGONAL	7.311-155.0	1				
35	ROHRLEITUNG / PIPELINES / CONDUITE	4.420-912.0	1				
36	SIEB / STRAINER / CREPINE	6.414-111.0	1				
37	O-RING 17,3 X 2,4 / GASKET / BAQUE D'ETANCHEITE	6.362-160.0	1				

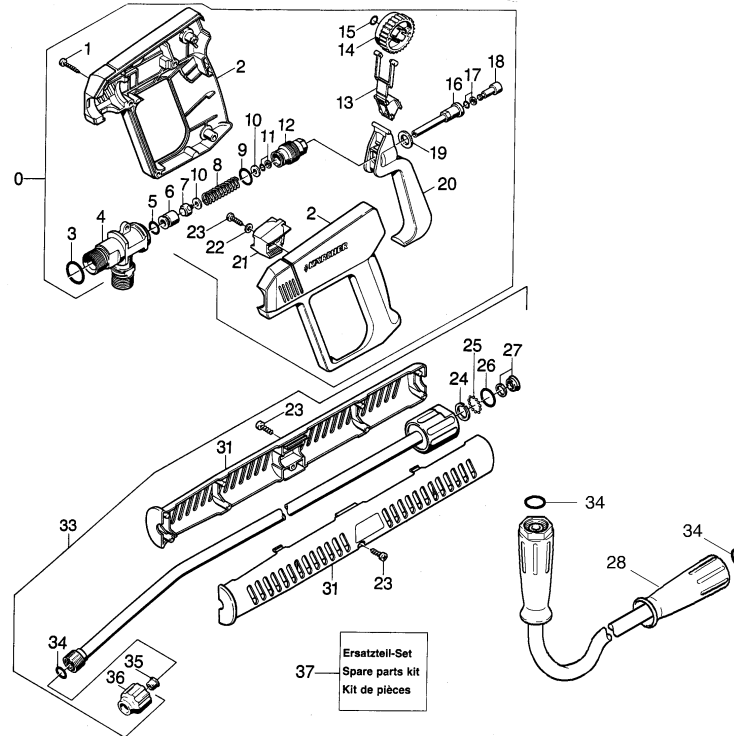
"=> xxxxxx" = bis Werknummer / up to serial No. / jusqu' au No. de fabr. / "xxxxxx =>" = ab Werknummer / from serial No. / a partir du No. de fabr. /

GRUPPE: 10.0ZUBEHOER
GROUP: 10.0ACCESSORIES
GRUPPE: 10.0ACCESSOIRES

A10

HDS 890

GRUPPE: 10.0ZUBEHOER
GROUP: 10.0ACCESSORIES
GRUPPE: 10.0ACCESSOIRES



GRUPPE: 10.0ZUBEHOER
GROUP: 10.0ACCESSORIES
GROUPE: 10.0ACCESSOIRES

C10

HDS 890

POS. ITM. POS.	BENNENNUNG DESCRIPTION DESIGNATION	TEILE-NR. PART-NO. NO.PIECE	STCK QTY. NBR.
0	HANDSPRITZPISTOLE / TRIGGER GUN / POIGNEE PISTOLET	4.775-026.0	1
1	LINSENSCHR. 4,2X22 / OVAL HEAD SCREW / VIS A TETE BOMBEE	6.303-024.0	8
2	GRIFFPAAR / HANDLES / BRANCHES POIGNEE	5.321-174.0	1
3	O-RING 17,12X 2,62 / GASKET / BAQUE D'ETANCHEITE	6.362-496.0	1
4	KNOTENSTUECK / MANIFOLD / FERRURE NODALE	5.427-079.0	1
5	O-RING 7,59X 2,62 / GASKET / BAQUE D'ETANCHEITE	6.362-479.0	1
6	HUELSE / SLEEVE / DOUILLE	5.110-348.0	1
7	VENTILSITZ / VALVE SEAT / SIEGE DE SOUPAPE	4.581-049.0	1
8	SCHRAUBENFEDER / HELICAL SPRING / RESSORT CYLINDRIQUE	5.332-140.0	1
9	O-RING 12,42X 1,78 / GASKET / BAQUE D'ETANCHEITE	6.362-478.0	1
10	SCHEIBE / WASHER / RONDELLE	5.115-260.0	2
11	O-RING KPL./1ST.-R. / GASKET / BAQUE D'ETANCHEITE	6.362-468.0	1
12	FORMSCHRAUBE / SCREW / VIS	5.305-110.0	1
13	FORMTEIL / MOULDED PART / PREFORME	5.030-283.0	1
14	HANDRAD / HAND WHEEL / VOLANT	5.322-006.0	1
15	O-RING 6,07X 1,78 / GASKET / BAQUE D'ETANCHEITE	6.362-176.0	1
16	STANGE / BAR / TIGE	5.107-062.0	1
17	O-RING KPL./1ST.-R. / GASKET / BAQUE D'ETANCHEITE	6.362-477.0	1
18	KOLBEN / PISTON / PISTON	5.553-118.0	1
19	SCHEIBE / WASHER / RONDELLE	5.115-227.0	1
20	HEBEL / LEVER / LEVIER	5.481-039.0	1
21	FORMTEIL / MOULDED PART / PREFORME	5.030-459.0	1
22	SCHEIBE 4 / WASHER / RONDELLE	7.312-001.0	1
23	LINSENSCHR. 4,2X16 / OVAL HEAD SCREW / VIS A TETE BOMBEE	6.303-025.0	7
24	DICHTRING 12X1,5 / JOINT RING / BAGUE D'ETANCHEITE	6.362-529.0	2
25	KUGEL 4,0 / BALL / BOULE	7.401-921.0	24
26	O-RING 17,0 X 1,5 / GASKET / BAQUE D'ETANCHEITE	6.362-524.0	2
27	NUTRING KPL.1ST.R. / GROOVED RING / JOINT A LEVRES	6.362-532.0	2
28	HD-SCHLAUCH DN 8 / HIGH PRESSURE HOSE / TUYAU FLEXIBLE HAUTE PRE.	6.389-709.0	1
31	GRIFF / HANDLE / POIGNEE	5.321-150.0	2
33	STRAHLROHR / JET PIPE / LANCE D'INCENDIE	4.760-355.0	1
34	ERSATZTEILSET / SPARE PARTS KIT / KIT DE PIECES	2.880-296.0	1
35	DUES.MUNDST. / NOZZLE MOUTHPIECE / NEZ DE BUSE	6.415-501.0	1
36	VERSCHRAUBUNGSTEIL / SCREW UNION PART / PIECE (RACCORD A VIS)	5.401-129.0	1
37	PISTOLENSET / PISTOL SET / JEU DE PISTOLET	2.883-014.0	1

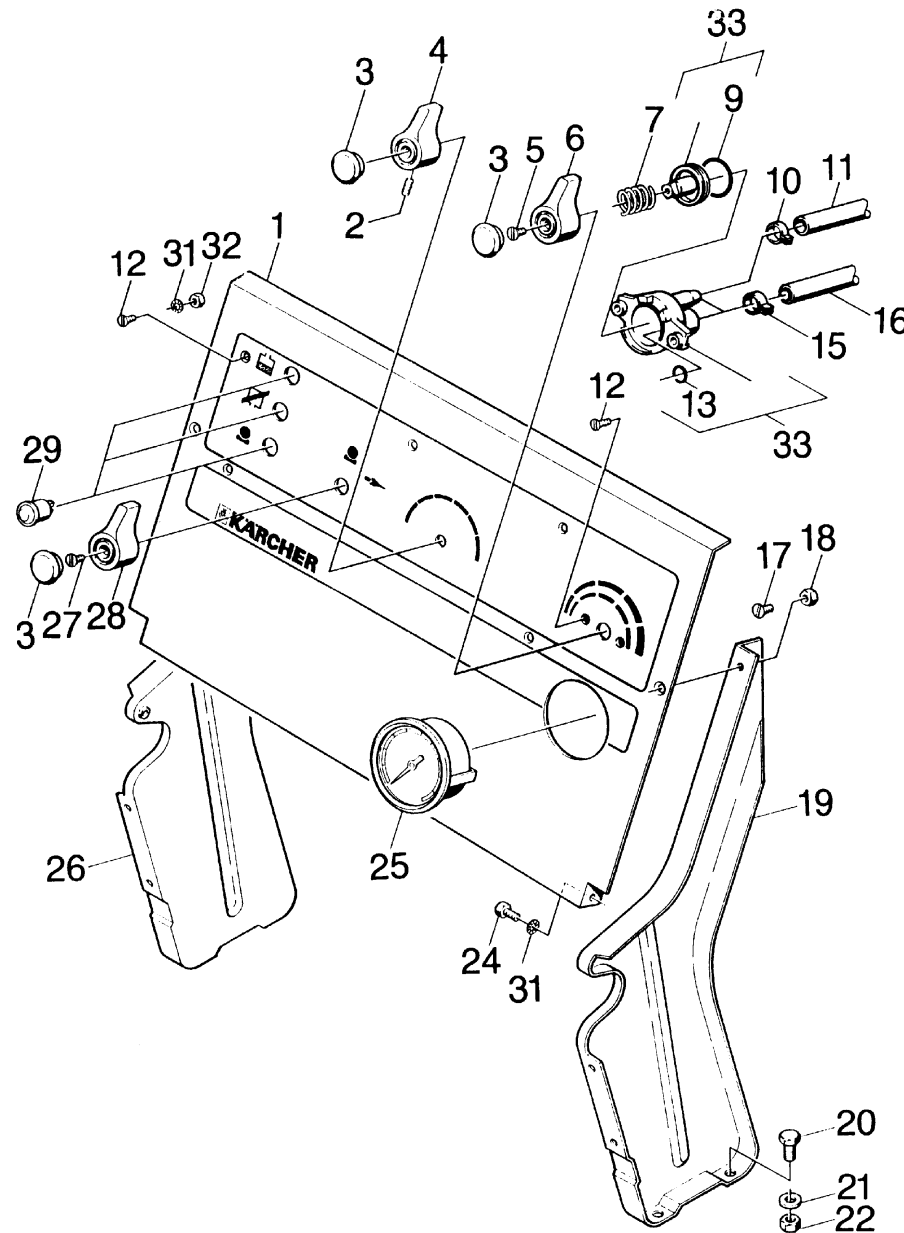
"=> xxxxxx" = bis Werknummer / up to serial No. / jusqu' au No. de fabr. / "xxxxxx =>" = ab Werknummer / from serial No. / a partir du No. de fabr. /

GRUPPE: 11.0INSTRUMENTENTAFEL
GROUP: 11.0CONTROL PANEL
GRUPPE: 11.0TABLEAU DE BORD

A11

HDS 890

GRUPPE: 11.0INSTRUMENTENTAFEL
GROUP: 11.0CONTROL PANEL
GRUPPE: 11.0TABLEAU DE BORD



Symbolbeschreibung siehe M16 / symbol description see M16 / désignation de système voir M16 /

GRUPPE: 11.0INSTRUMENTENTAFEL
 GROUP: 11.0CONTROL PANEL
 GROUPE: 11.0TABLEAU DE BORD

C11

HDS 890

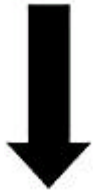
POS. ITM. POS.	BENNENNUNG DESCRIPTION DESIGNATION	TEILE-NR. PART-NO. NO.PIECE	STCK QTY. NBR.	POS. ITM. POS.	BENNENNUNG DESCRIPTION DESIGNATION	TEILE-NR. PART-NO. NO.PIECE	STCK QTY. NBR.
1	INSTRUMENTENTAFEL / CONTROL PANEL / TABLEAU DE BORD	5.841-198.0	1	33	VENTIL - ERSATZ / VALVE / SOUPAPE	4.580-188.0	1
2	GEW.STIFT M 5X 10 / THREADED PIN / VIS SANS TETE	7.307-181.0	1				
3	STOPFEN / PLUG / BOUCHON	5.132-010.0	3				
4	GRIFF / HANDLE / POIGNEE	5.321-026.0	1				
5	SENKSCHR. M 4X 16 / FLAT HEADED SCREW / VIS A TETE CONIQUE	7.305-023.0	1				
6	GRIFF / HANDLE / POIGNEE	5.321-023.0	1				
7	SCHRAUBENFEDER / HELICAL SPRING / RESSORT CYLINDRIQUE	5.332-028.0	1				
9	O-RING 26,0 X 2,5 / GASKET / BAQUE D'ETANCHEITE	6.362-385.0	1				
10	SCHLAUCHSCHELLE / HOSE BAND CLIP / COLLIER DE SERRAGE	6.388-550.0	1				
11	SCHLAUCH DN 7 / HOSE / TUYAU FLEXIBLE	6.388-194.0	1				
	ALS METERWARE BESTELLEN/TO ORDER AS CUT GOODS/COMMANDE COMME MARCHANDISE AU METRE						
12	SENKSCHR. M 4X 10 / FLAT HEADED SCREW / VIS A TETE CONIQUE	6.305-001.0	7				
13	O-RING 5 X 1,5 / GASKET / BAQUE D'ETANCHEITE	6.362-386.0	1				
15	SCHLAUCHSCHELLE / HOSE BAND CLIP / COLLIER DE SERRAGE	6.388-559.0	2				
16	SCHLAUCH DN 7 / HOSE / TUYAU FLEXIBLE	6.388-225.0	2				
	ALS METERWARE BESTELLEN/TO ORDER AS CUT GOODS/COMMANDE COMME MARCHANDISE AU METRE						
17	SENKSCHR. M 5X 10 / FLAT HEADED SCREW / VIS A TETE CONIQUE	7.305-599.0	2				
18	6KT-MUTTER M 5 / HEXAGON NUT / ECROU HEXAGONAL	7.311-421.0	4				
19	STAENDER RECHTS / STAND / MONTANTS	5.052-013.0	1				
20	6KT-SCHR. M 8X 16 / HEXAGONAL HEAD SCREW / VIS HEXAGONAL	7.304-395.0	8				
21	SCHEIBE 8 / WASHER / RONDELLE	7.312-004.0	8				
22	6KT-MUTTER M 8 / HEXAGON NUT / ECROU HEXAGONAL	7.311-004.0	8				
24	SCHRAUBE M 5X 10 / SCREW / VIS	7.306-071.0	2				
25	MANOMETER O-250 BAR / PRESSURE GAUGE / MANOMETRE	6.421-075.0	1				
26	STAENDER LINKS / STAND / MONTANTS	5.052-012.0	1				
27	ZYL.SCHR. M 3,5X 12 / CHEESE HEAD SCREW / VIS A TETE CYLINDR.	7.306-415.0	1				
28	GRIFF / HANDLE / POIGNEE	5.321-021.0	1				
29	ANZEIGELEUCHTE / PILOT LAMP / LAMPE TEMOIN	6.651-058.0	3				
31	ZAHNSCHEIBE A 6,4 / LOCK WASHER / ROUE PLATE	7.312-165.0	12				
32	6KT-MUTTER M 4 / HEXAGON NUT / ECROU HEXAGONAL	7.311-424.0	5				

"=> xxxxxx" = bis Werknummer / up to serial No. / jusqu' au No. de fabr. / "xxxxxx =>" = ab Werknummer / from serial No. / a partir du No. de fabr. /

Bestellhinweis

Bei Ihrer Bestellung sind unbedingt anzugeben :

1.	2.	3.	4.	5.
Gerätetyp Machine model Type d'appareils	Herstell-Nr. Serial-No. No. de série	Benennung Description Désignation	Teile-Nr. Part No. Référence	Stückzahl Piece No. Quantité



**siehe Typenschild
see name-plate
voir plaque signalétique**



**siehe Ersatzteilliste
see spare parts list
voir liste des pièces de rechange**

- Die Ersatzteile, welche als Meterware geliefert werden, sind auf Einbaulänge selbst zu kürzen. Ebenso sind die Stückzahlen in den jeweiligen Gruppen als Mindestbestellmengen = 1m angegeben und können je nach Bedarf auf weitere volle Meterzahlen erhöht und bestellt werden.
- Spare Parts which are delivered as cut goods have to be shortened to installation length. The quotation of quantity in each group refers to the minimum order quantity = 1m and may be ordered and raised to further full metre-values according to demand
- Les pièces de rechange qui sont livrées comme marchandise au mètre sont à raccourcir selon la longueur d'installation. Les indications de quantité dans chaque group se réfèrent à des valeurs de mètre de plus.
- Diese Ersatzteilliste erscheint in gedruckter Form sowie als Mikrofiche. Bei Querverweisen bezieht sich die Angabe "Seitenzahl" auf die gedruckte Ersatzteilliste und die Angabe "Bildtafel" auf die Mikrofichenausgabe.
- This spare parts list is published both in printed form and as a microfiche. In the cross-references, "page number" refers to the printed spare parts list and "display table" to the microfilm edition.
- Cette liste de pièces de rechange est aussi bien imprimée que publiée sous forme de microfiche. Les indications transversales renvoient au "numéro de page" sur la liste imprimée des pièces de rechange et à la "planche" sur la microfiche.

Bitte beachten Sie, daß der Teileumfang dieser Ersatzteilliste nicht unbedingt dem Lieferumfang Ihres Gerätes entspricht.

For your information: It could be that certain parts quoted in this spare parts list were not included with the machine delivery.

Pour votre information: il se peut que certaines pièces détachées mentionnées sur la liste ne vous aient pas été livrées avec l'appareil.

Die in dieser Ersatzteilliste nicht aufgeführten Einzelteile, bestellen Sie bitte direkt beim Vertragskundendienst des jeweiligen Herstellers.

Please order the individual parts not included in this assembly directly with the contract aftersales service of the manufacturer in question.

Veillez s'il vous plaît, commander les pièces détachées qui ne sont indiquées dans notre liste des pièces détachées, directement auprès du service après-vente des fabricants en question.

Bei Bestellung von lackierten Teilen, welche in der Ersatzteilliste nicht in verschiedenen Farben ausgewiesen sind, ist zusätzlich die Farbnummer oder Farbe mit anzugeben. Diese finden Sie auf dem Typenschild oder Farbschild Ihres Gerätes.

Upon ordering of varnished parts which are not mentioned in the spare parts list as parts with different colors, kindly additionally mention the number of the color. It can be seen on the type plate of the color plate of your machine.

Commandant des parts vernissés qui ne sont pas mentionnés comme parts avec une couleur différente dans la liste des pièces détachées, veuillez mentionner de plus le numéro de la couleur. Il se trouve sur la plaque signalétique ou la plaque de couleur de votre machine.

Auflistungen von Einzelteilen bei Ersatzteil - u. Pumpensets sind in der Reihe "16" einzusehen, bzw. direkt unter dem entsprechenden Set aufgelistet.

Listings of single parts upon spare parts kits and pump kits can be seen in row "16" or directly listed below the corresponding kit.
Des établissements des pièces détachées en ce qui concerne les kits des pièces de rechange et les kits de pompes, peuvent être vus à la ligne "16" ou ils sont répertoriés directement au-dessous du jeu correspondant.

Technische Änderungen im Rahmen der Weiterentwicklung sowie das Recht der ausschließlichen Auswertung unseres geistigen Eigentums behalten wir uns vor. Vervielfältigung und Nachdruck nur mit Genehmigung und Urheberhinweis möglich.

We reserve the right to make technical changes in the course of development work and the right to make exclusive use of our intellectual property. This spare parts list may be duplicated or reprinted only with our approval and with acknowledgement of our copyright.

Nous nous réservons le droit de toutes modifications techniques dans le cadre du perfectionnement des mises au point ainsi que le droit de la mise en valeur exclusive de notre propriété intellectuelle. Polycopie et reproduction exclusivement après accord et avec mention de l'auteur.

GRUPPE: 1.0 EINZELTEILE A1-C1
 GROUP: 1.0 PIECE PARTS
 GROUPE: 1.0 PIECES CONSTITUANTES

GRUPPE: 2.0 PUMPENSATZ A2-C2
 GROUP: 2.0 PUMP SET
 GROUPE: 2.0 JEU (ENSEMBLE) DE POMPE

GRUPPE: 3.0 MOTOR A3-C3
 GROUP: 3.0 MOTOR
 GROUPE: 3.0 MOTEUR

GRUPPE: 4.0 GEBLAESE A4-C4
 GROUP: 4.0 BLOWER
 GROUPE: 4.0 VENTILATEUR

GRUPPE: 5.0 BRENNSTOFFPUMPE A5-C5
 GROUP: 5.0 FUEL PUMP
 GROUPE: 5.0 POMPE DE COMBUSTIBLE

GRUPPE: 6.0 E-GERAETESCHRANK A6-C6
 GROUP: 6.0 ELECTRIC CONTROL BOX
 GROUPE: 6.0 COFFRET ELECTRIQUE

GRUPPE: 7.0 DURCHLAUFERHITZER A7-C7
 GROUP: 7.0 FLOW HEATER
 GROUPE: 7.0 CHAUFFE-EAU RAPIDE

GRUPPE: 8.0 SCHWIMMERKASTEN A8-C8
 GROUP: 8.0 FLOAT CHEST
 GROUPE: 8.0 BOITE DU FLOTTEUR

GRUPPE: 9.0 SICHERHEITSBLOCK A9-C9
 GROUP: 9.0 SAFETY SYSTEM
 GROUPE: 9.0 BLOC DE SECURITE

GRUPPE: 10.0 ZUBEHOER A10-C10
 GROUP: 10.0 ACCESSORIES
 GROUPE: 10.0 ACCESSOIRES

GRUPPE: 11.0 INSTRUMENTENTAFEL A11-C11
 GROUP: 11.0 CONTROL PANEL
 GROUPE: 11.0 TABLEAU DE BORD



BEISPIEL: VERSION 1
 EXAMPLE: VERSION 1
 EXEMPLE: VERSION 1



BEISPIEL: SIEHE IN GRUPPE 3
 EXAMPLE: SEE IN GROUP 3
 EXEMPLE: VOIR EN GROUPE 3



WICHTIGER HINWEIS
 IMPORTANT REMARK
 REMARQUAGE IMPORTANT

BESTELLHINWEIS SIEHE M15
 EXAMPLE ORDER SEE M15
 EXEMPLE DE COMMANDE VOIR M15

VARIANTENÜBERSICHT SIEHE L16
 VARIANTS SURVEY SEE L16
 VUE D'ENSEMBLE DE VARIANTS VOIR L16