



KÄRCHER

Ersatzteilliste

Spare Parts List

Liste des pièces de rechange

HD 1050 B

1.810-122 Honda

1.810-152 Honda

Index

M 16

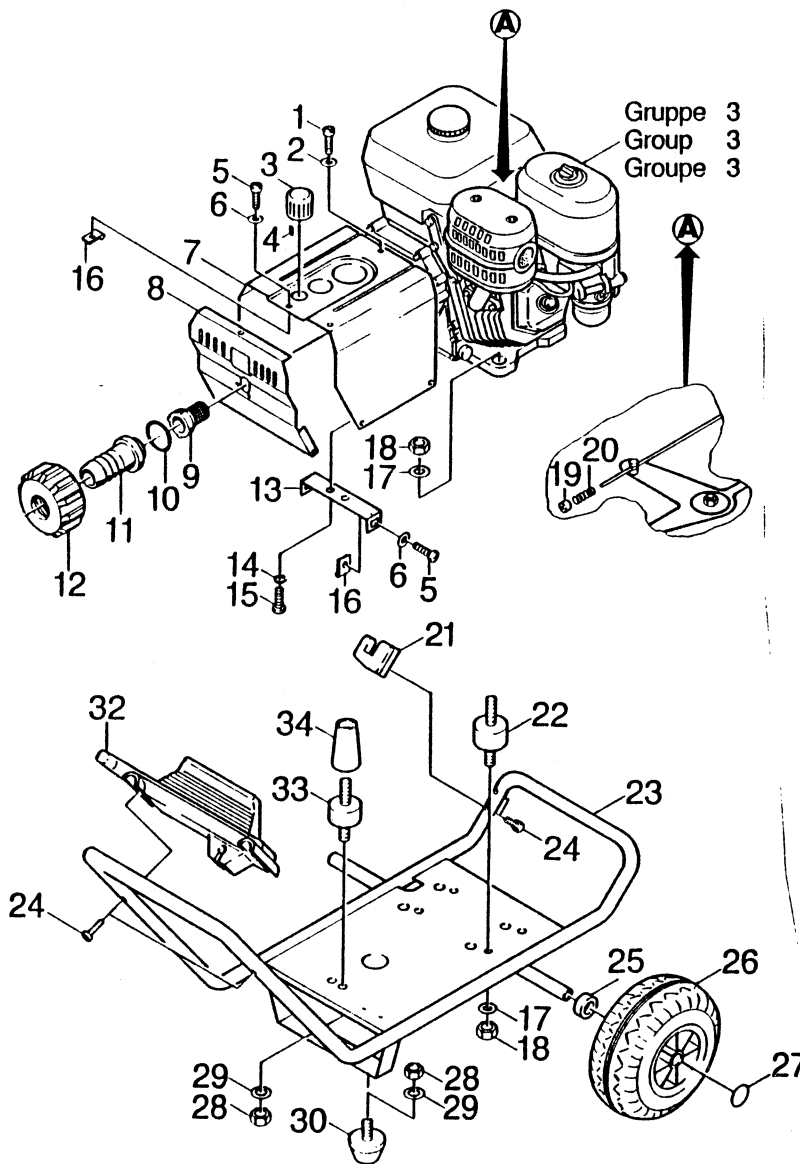
GRUPPE 1: EINZELTEILE	A 1 - C 1
GRUPPE 2: PUMPENSATZ	A 2 - D 2
GRUPPE 3: MOTOR	A 3 - C 3
GRUPPE 4: ZUBEHÖR	A 4 - C 4
GROUP 1: COMPONENT PARTS	A 1 - C 1
GROUP 2: PUMP UNIT	A 2 - D 2
GROUP 3: MOTOR	A 3 - C 3
GROUP 4: ACCESSORIES	A 4 - C 4
GROUPE 1: PIÈCES DÉTACHÉES	A 1 - C 1
GROUPE 2: MOTO-POMPE	A 2 - D 2
GROUPE 3: MOTEUR	A 3 - C 3
GROUPE 4: ACCESSOIRES	A 4 - C 4

Gruppe 1: Einzelteile
Group 1: Component Parts
Groupe 1: Pièces détachées

Gruppe 1: Einzelteile
 Group 1: Component Parts
 Groupe 1: Pièces détachées

B 1

HD 1050 B



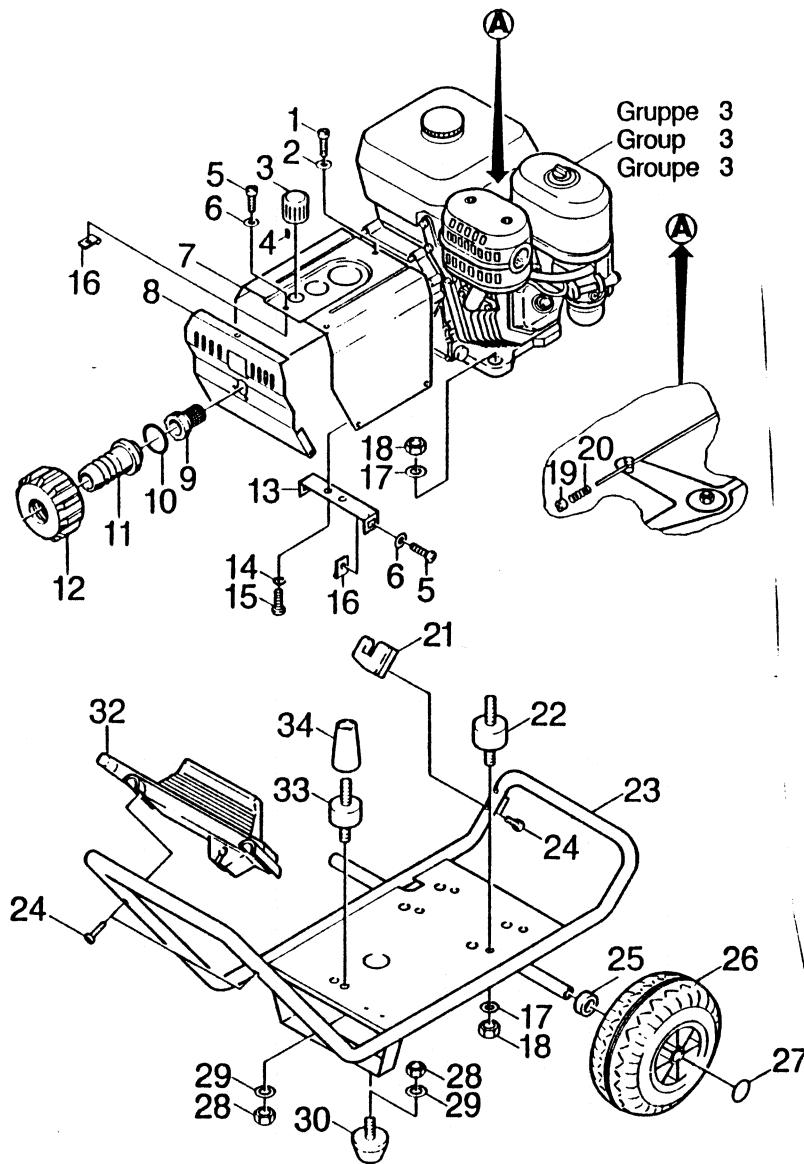
Pos. Item Pos.	Benennung Description Designation	Teile-Nr. Part-No. No.piece	Stück Qty. Nbr.
1	Linsenschr.M 6x 16/ Oval Head Screw/ Vis A Tete Bombee	7.306-306.0	1
2	Scheibe b 6,4/ Disk/ Disque	7.312-003.0	1
3	Griff/ Handle/ Poignee	5.321-198.0	1
4	Sicherungsfeder/ Retaining Spring/ Ressort D'arret	6.313-003.0	1
5	Linsenschr.M5x16/ Oval Head Screw/ Vis A Tete Bombee	7.306-308.0	5
6	Scheibe b 5,3/ Disk/ Disque	7.312-002.0	5
7	Haube/ Cap/ Capot	5.066-288.0	1
8	Instrumententafel/ Instrument Board/ Tableau de Bord	5.841-219.0	1
9	Sieb/ Strainer/ Passoir	6.414-282.0	1
10	O-Ring 14-1,78/ O-Ring/ Joint Torique	6.362-395.0	1
11	Schlauchnippel/ Hose Stem/ Raccord Pour Tuyau	5.443-282.0	1
12	Mutter/ Nut/ Ecrou	5.311-071.0	1
13	Halter/ Support/ Appui	5.042-472.0	1
14	Federring b 6/ Spring Washer/ Rondelle Grower	7.313-003.0	2
15	Zyl-Schr.is. M 6x16/ Cheese Head Screw/ Vis A Tete Cylindr.	7.306-020.0	2
16	Mehrb.steckmutter.-M5/ Sheet Metal Nut/ Ecrou En Tole	6.310-051.0	5
17	Scheibe b 10,5/ Disk/ Disque	7.312-005.0	8
18	6kt-Mutter M 10/ Hexagon Nut/ Ecrou Hex.	7.311-423.0	8
19	Klemmnippel/ Nipple/ Nipple	6.431-053.0	1
20	Schraubenfeder/ Coil Spring/ Ressort A Boudin	5.332-234.0	1
21	Halter/ Support/ Appui	5.042-456.0	1

1.810-01.02.007

Gruppe 1: Einzelteile
 Group 1: Component Parts
 Groupe 1: Pièces détachées

C 1

HD 1050 B



Pos. Item Pos.	Benennung Description Designation	Teile-Nr. Part-No. No. piece	Stück Qty. Nbr.
22	Gummipuffer D50x30/ Rubber Buffer/ Butoir En Caout.	6.339-075.0	4
23	Rahmen/ Frame/ Cadre	4.050-180.0	1
24	Blechschaube St4,8x38/ Sheet metal screw/Vis a tole	7.303-384.0	4
25	Huelse/ Pod/ Douille	5.110-378.0	2
26	Rad D300/ Wheel/ Roue	6.435-129.0	2
27	Schnellbefest. D 25/ Quick-Fastener/ Attache Rapide	6.343-137.0	2
28	6kt-Mutter M 8/ Hexagon Nut/ Ecrou Hexagonal	7.311-510.0	3
29	Scheibe b 8,4/ Disk/ Disque	7.312-004.0	3
30	Gummipuffer/ Rubber Buffer/ Butoir En Caoutch.	6.339-100.0	2
32	Griff/ Handle/ Poignee	5.321-273.0	1
33	Gummipuffer M8/ Rubber Buffer/ Butoir En Caout.	6.339-060.0	1
34	Zapfen/ Trunnion/ Tourillon	5.108-112.0	1

1.810-01.03.001

 **KÄRCHER**

A 2

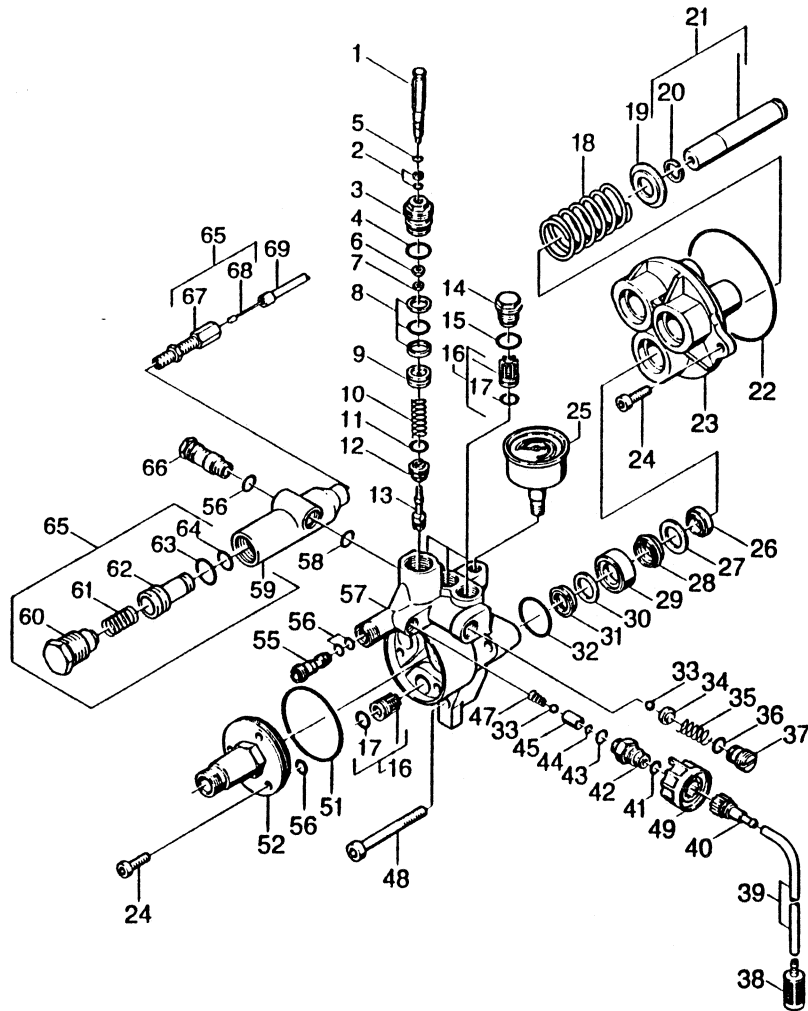
HD 1050 B

Gruppe 2: Pumpensatz
Group 2: Pump Unit
Groupe 2: Moto-pompe

Gruppe 2: Pumpensatz
 Group 2: Pump Unit
 Groupe 2: Moto-pompe

B 2

HD 1050 B



Pos. Item Pos.	Benennung Description Designation	Teile-Nr. Part-No. No.piece	Stück Qty. Nbr.
1	6kt.-Schraube/ Hex.head Cap Screw/ Boulon A Six Pans	5.304-056.0	1
2	O-Ring Kpl./Ist.-R./ O-Ring Compl./ Joint Torique Compl	6.362-468.0	1
3	Verschlusschraube/ Screw Plug/ Vis de Fermeture	5.411-057.0	1
4	O-Ring 22x1,5/ O-Ring/ Joint Torique	6.362-412.0	1
5	O-Ring 5,28x1,78/ O-Ring/ Joint Torique	6.362-175.0	1
6	6kt-Mutter M6-Links/ Hex. Nut/ Erou Hex.	7.311-218.0	1
7	6kt-Mutter M 6/ Hexagon Nut/ Erou Hex.	7.311-039.0	1
8	O-Ring Kpl.1o/2st./ O-Ring/ Joint Torique	6.362-610.0	1
9	Kolben/ Piston/ Piston	5.553-226.0	1
10	Schraubenfeder/ Coil Spring/ Ressort A Boudin	5.332-229.0	1
11	O-Ring 12,42x1,78/ O-Ring/ Joint Torique	6.362-480.0	1
12	Ventilsitz/ Valve Seat/ Siege de Soupape	5.581-129.0	1
13	Ventilbolzen/ Valve Pin/ Axe de Soupape	5.584-067.0	1
14	Ventilschraube/ Valve Screw/ Vis de Soupape	5.583-090.0	3
15	O-Ring 15,3x2,4/ O-Ring/ Joint Torique	6.362-153.0	3
16	Ventil Kpl./ Set of Valves/ Esemble de Soupape	4.580-175.0	6
17	O-Ring 14,0x2,0/ O-Ring/ Joint Torique	6.362-481.0	6
18	Schraubenfeder/ Coil Spring/ Ressort A Boudin	5.332-150.0	3
19	Scheibe/ Disk/ Disque	5.115-289.0	3
20	Sprengring 20/ Sealing Ring/ Circlip	6.472-331.0	3
21	Kolben/ Piston/ Piston	4.553-105.0	3

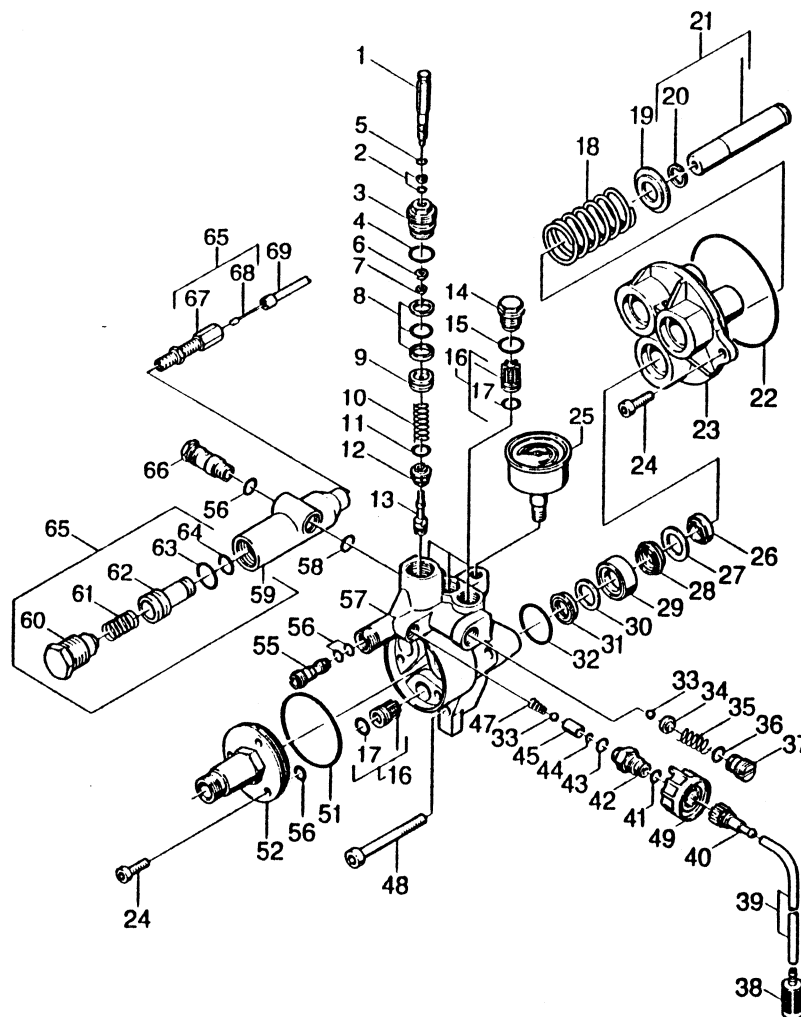


1.810-02.02.001

Gruppe 2: Pumpensatz
 Group 2: Pump Unit
 Groupe 2: Moto-pompe

C 2

HD 1050 B



Pos. Benennung Item Description Pos. Designation	Teile-Nr. Part-No. No. piece	Stück Qty. Nbr.
22 O-Ring 100x1,78/ O-Ring/ Joint Torique	6.362-448.0	1
23 Gehaeuse/ Housing/ Boitier	5.060-261.0	1
24 Zyl-Schr.is. M 8x25/ Cheese Head Screw/ Vis A Tete Cylindr.	7.306-042.0	5
25 Manometer 0-250bar/ Manometer/ Manometre	6.421-132.0	1
26 Nutring 20x28x6/8/ Grooved Ring/ Joint En U A Levres	6.365-052.0	3
27 Scheibe/ Disk/ Disque	5.115-255.0	3
28 Nutring 20x30x6/ Grooved Ring/ Joint En U A Levres	6.365-053.0	3
29 Buchse/ Bush/ Boite	5.112-181.0	3
30 Scheibe/ Disk/ Disque	5.115-224.0	3
31 Nutring/ Grooved Ring/ Joint En U A Levres	6.365-061.0	3
32 O-Ring 34,65x1,78/ O-Ring/ Joint Torique	6.362-484.0	3
33 Kugel 07/ Ball/ Boule	7.401-908.0	2
34 Ventilteller/ Valve Head/ Tete de Soupape	5.582-075.0	1
35 Schraubenfeder/ Coil Spring/ Ressort A Boudin	5.332-203.0	1
36 O-Ring 12,0x2,0/ O-Ring/ Joint Torique	6.362-169.0	1
37 Ventilschraube/ Valve Screw/ Vis de Soupape	5.583-089.0	1
38 Filter/ Filter/ Filtre	6.414-277.0	1
39 Schlauch Nw 5/ Flexible Tube/ Tuyau Flexible	6.388-216.0	1m
40 Schlauchnippel/ Hose Stem/ Raccord Pour Tuyau	5.443-281.0	1
41 O-Ring 10,0x2,0/ O-Ring/ Joint Torique	6.362-151.0	1
42 Schraubstutzen/ Screw Socket/ Manchon Filete	5.402-362.0	1
43 O-Ring 14x1,5/ O-Ring/ Joint Torique	6.362-533.0	1

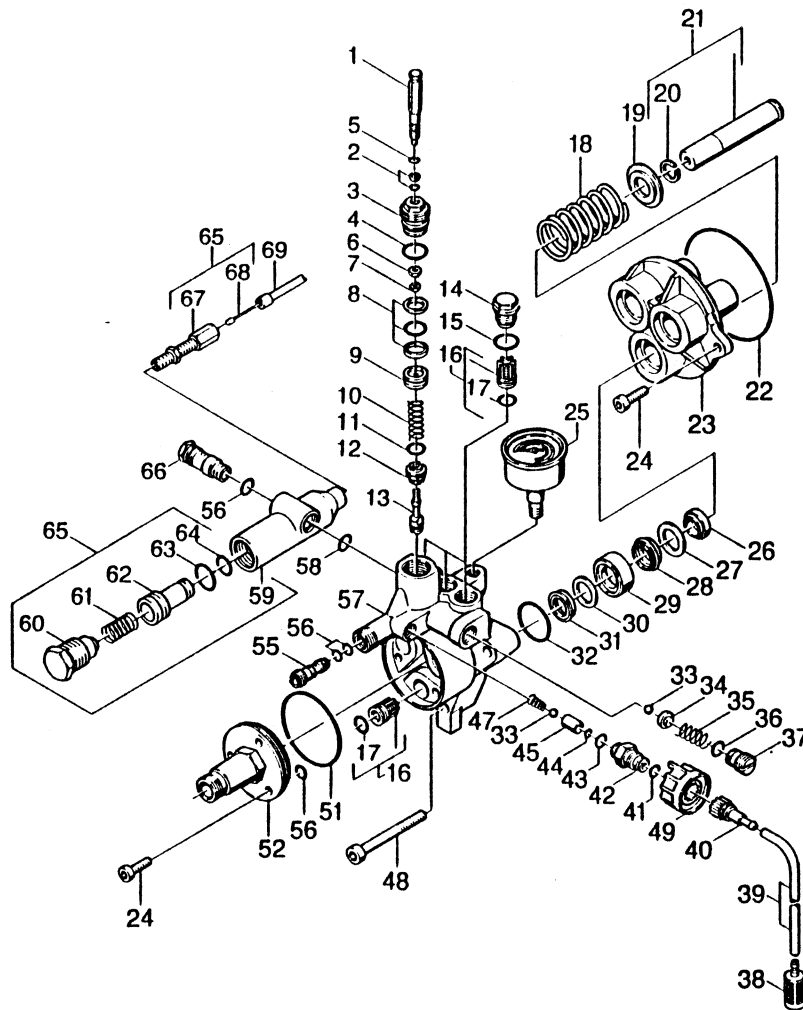


1.810-02.03.001

Gruppe 2: Pumpensatz
 Group 2: Pump Unit
 Groupe 2: Moto-pompe

D 2

HD 1050B



Pos. Item Pos.	Benennung Description Designation	Teile-Nr. Part-No. No.piece	Stück Qty. Nbr.
44	O-Ring 6x2/ O-Ring/ Joint Torique	6.362-383.0	1
45	Rohr/ Tube/ Tube	5.026-764.0	1
47	Schraubenfeder/ Coil Spring/ Ressort A Boudin	5.332-124.0	1
48	Zyl.-Schr. M12x80/ Cheese-Head Screw/ Vis A Tete Cylindr.	7.306-122.0	3
49	Griff/ Handle/ Poignee	5.321-199.0	1
51	O-Ring 68x2/ O-Ring/ Joint Torique	6.362-501.0	1
52	Gehausedeckel/ Cover/ Couvercle	5.063-297.0	1
55	Dueseneinsatz/ Nozzle Insert/ Insert de Tuyere	5.769-079.0	1
56	O-Ring 9x1,5/ O-Ring/ Joint Torique	6.362-384.0	6
57	Zylinderkopf Kompl./ Cyl. Head Compl./ Cul. de Cyl. Compl.	4.550-098.0	1
58	O-Ring 12x1,5/ O-Ring/ Joint Torique	6.362-527.0	1
59	Gehaeuse/ Housing/ Boitier	5.060-335.0	1
60	Verschluss-Schraube/ Screw Plug/ Vis de Fermeture	5.411-081.0	1
61	Schraubenfeder/ Coil Spring/ Ressort A Boudin	5.332-232.0	1
62	Kolben/ Piston/ Piston	5.553-222.0	1
63	O-Ring Kompl/ O-Ring/ Joint Torique	6.362-611.0	1
64	O-Ring Kpl./ O-Ring/ Joint Torique	6.362-575.0	1
65	Drehzahlsteuerung/ Speed Control/ Commande de Nombre	4.741-012.0	1
66	Hohlschraube/ Banjo Bolt/ Boulon Creux	5.404-063.0	1
67	Stellschraube/ Screw/ Vis	6.431-054.0	1
68	Litze/ Strand/ Toron	6.431-056.0	1
69	Drahthülle/ Cover/ Gaine	6.431-055.0	1

↓
 1.810-02.04.001

 **KÄRCHER**

A 3

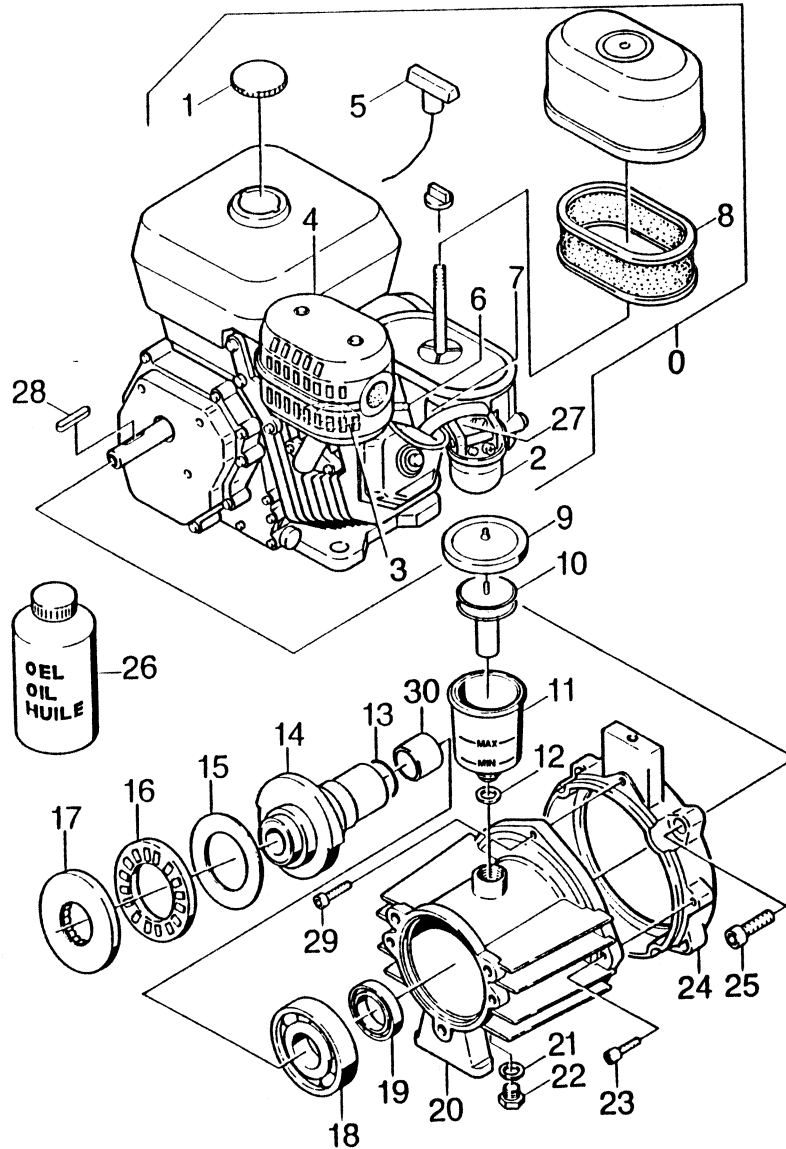
HD 1050 B

Gruppe 3: Motor
Group 3: Motor
Groupe 3: Moteur

Gruppe 3: Motor
 Group 3: Motor
 Groupe 3: Moteur

B 3

HD 1050B



Pos. Benennung
 Item Description
 Pos. Designation

Teile-Nr.
 Part-No.
 No. piece

Stück
 Qty.
 Nbr.

0	Benzinmotor 1lps/ Benzinemotor/ Benzenemoteur	6.491-211.0	1
1	Tankdeckel Kompl./ Tank Cover/ Bouchon Reservoir	6.491-173.0	1
2	Vergaser Kompl./ Carburettor Assemb./ Carburateur Compl.	6.491-169.0	1
3	Dichtung/ Seal/ Joint	6.491-172.0	1
4	Auspufftopf Kompl./ Exhaust Box/ Pot D'echappement	6.491-171.0	1
5	Anlasserseil Kpl./ Starterpart / Demarreurcompris	6.491-168.0	1
6	Zuendkerze/ Ignition Plug / Bougie D'allumage	6.618-079.0	1
7	Zuendspule Kompl./ Ignition coil assembly/ Bobine d' allumage complete	6.491-175.0	1
8	Luftfiltereinsatz/ Air Filter Element/ Cartouche de Filt.	6.491-170.0	1
9	Deckel/ Cover/ Couvercle	5.063-249.0	1
10	Formteil/ Preform/ Preforme	5.030-389.0	1
11	Behaelter/ Receptacle/ Recipient	5.070-048.0	1
12	Dichtring/ Joint Ring/ Anneau D'etancheite	5.363-100.0	1
13	O-Ring 24,77x 5,33/ O-Ring/ Joint Torique	6.362-612.0	1
14	Taumelscheibe/ Swash Plate/ Disque En Nutation	4.120-130.0	1
15	Laufscheibe/ Rotor Disk/ Disque de Butee	6.401-122.0	1
16	Axial-Rollenkaefig/ Roller Thrust Cage/ Butee A Rouleaux	6.401-123.0	1
17	Druckscheibe M.kaef/ Pressure Disk/ Disque de Pression	6.401-124.0	1
18	Kegelrollenlager 4l/ Taper Roller Bearin/ Palier Con.a Roul.	6.401-113.0	1

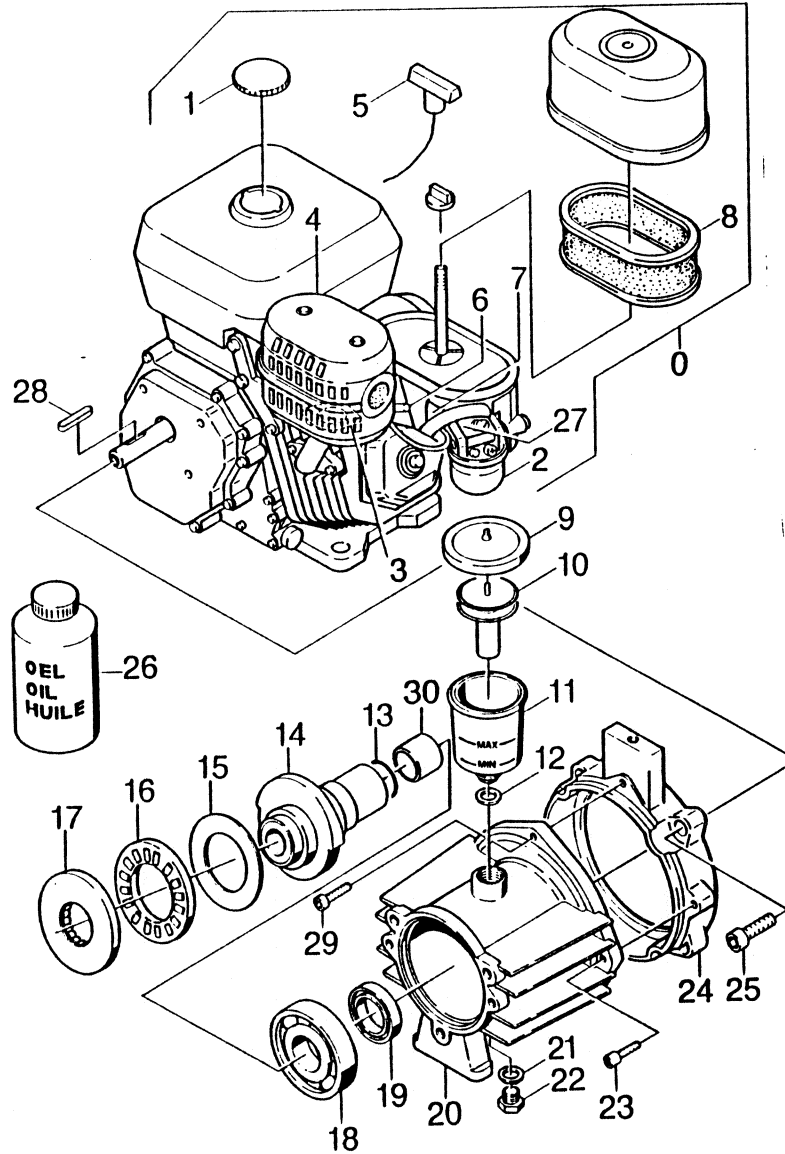


1.810-03.02.007

Gruppe 3: Motor
 Group 3: Motor
 Groupe 3: Moteur

C 3

HD 1050B



Pos. Benennung
 Item Description
 Pos. Designation

Teile-Nr.
 Part-No.
 No.piece

Stück
 Qty.
 Nbr.

19	W-Dichtring A40x52/ Joint Ring/ Bague A Levres	7.367-011.0	1
20	Gehäuse/ Housing/ Boitier	5.060-292.0	1
21	Dichtring A 14x18/ Joint Ring/ Anneau D'etancheite	7.362-005.0	1
22	Vs.schraube M14x1,5/ Screw Plug/ Vis de Fermeture	7.382-233.0	1
23	Zyl-Schr.is. M 8x30/ Cheese-Head Screw/ Vis A Tete Cylindr.	7.306-043.0	3
24	Flansch/ Flange/ Bride	5.122-133.0	1
25	Zylinderschraube/ Cheese Head Screw/ Vis A Tete Cylindr.	6.304-035.0	4
26	Motorenoel 1L/ Engine Oil/ Huile A Moteurs	6.288-050.0	* 2
27	Impulsgeber/Impulsetransmitter/ Contacteur regime pulsionnel	6.491-174.0	1
28	Passfeder/ Feather Key/ Ressort D'Ajustage	6.491-224.0	1
29	Zyl-Schr.is. M 6x25/ Cheese Head Screw/ Vis A Tete Cylindr.	7.306-023.0	1
30	Hülse/ Pod/ Douille	5.110-387.0	1

* Pumpe/ Pump/ Pompe 0,55 l
 Motor/ Motor/ Moteur 1,1 l

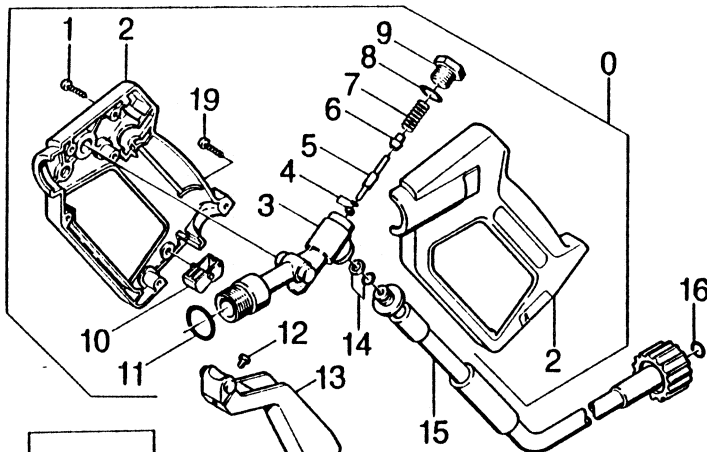


Gruppe 4: Zubehör
Group 4: Accessories
Groupe 4: Accessoires

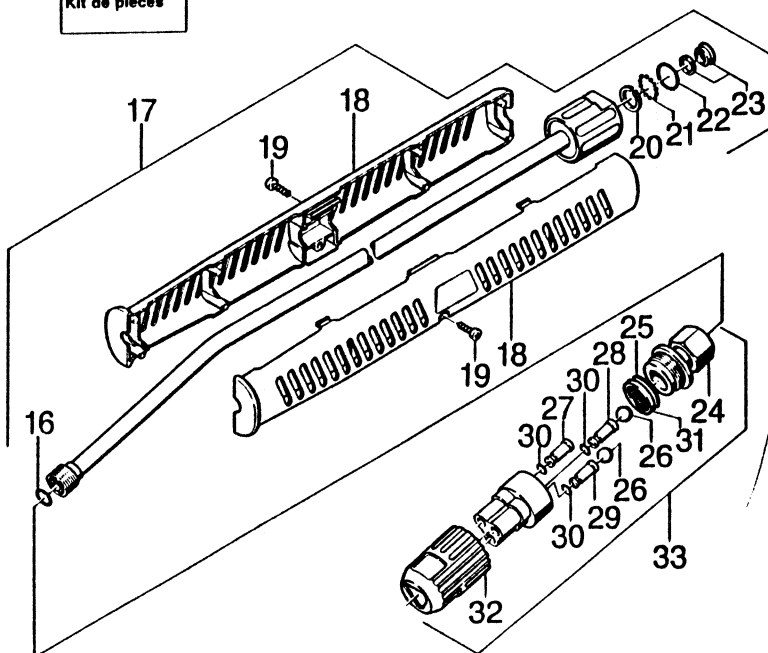
Gruppe 4: Zubehör
 Group 4: Accessories
 Groupe 4: Accessoires

B 4

HD 1050 B



Ersetztell-Set
 Spare parts kit
 Kit de pièces



Pos. Benennung
 Item Description
 Pos. Designation

Teile-Nr.
 Part-No.
 No. piece

Stück
 Qty.
 Nbr.

bis Werk-Nr.78 895/up to serial No.78 895/jusqu'au N° de fabrication 78 895

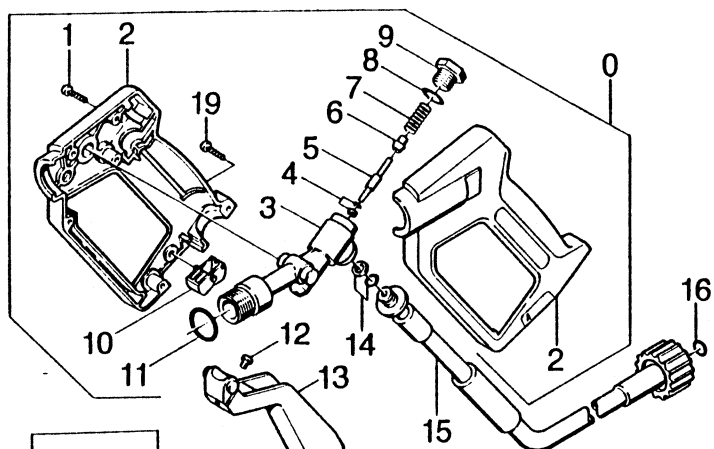
0	Handspritzpistole/ Trigger Gun/ Poignee-Pistolet	4.775-079.0	1
1	Schraube 4,2x22/ Screw/ Vis	6.303-024.0	5
2	Griffpaar/ Grip Pair/ Paire de Poignees	5.321-206.0	1
3	Knotenstueck/ Strut Attach.fitt./ Ferrure Nodale	5.427-115.0	1
4	O-Ring Kompl./ O-Ring Complete/ Joint Torique Comp.	6.362-571.0	1
5	Stange/ Rod/ Perche	5.107-094.0	1
6	Ventilteller/ Valve Head/ Tete de Soupape	5.582-058.0	1
7	Schraubenfeder/ Coil Spring/ Ressort A Boudin	5.332-157.0	1
8	O-Ring 12,42x1,78/ O-Ring/ Joint Torique	6.362-480.0	1
9	Verschluss-Schraube/ Screw Plug/ Vis de Fermeture	5.411-067.0	1
10	Hebel/ Lever/ Levier	5.481-052.0	1
11	O-Ring 17,12x262/ O-Ring/ Joint Torique	6.362-496.0	1
12	Zapfen/ Trunnion/ Tourillon	5.108-097.0	1
13	Hebel/ Lever/ Levier	5.481-066.0	1
14	O-Ring Kpl./1st.-R./ O-Ring/ Joint Torique	6.362-422.0	1
15	Hd-Schlauch NW 8,10 m/ Hp-Hose/ Tuyau Souple A Hp	6.389-176.0	1
15	Hd-Schlauch NW 8,50 feet/ Hp-Hose/ Tuyau Souple A Hp	6.389-160.0	1
16	O-Ring-Set (5 Stück)/ O-Ring Set (5 Pieces)/ Jeu de 5 Joints Toriques	2.880-296.0	1
17	Strahlrohr 1040lg/ Spray Lance/ Lance D'incendie	4.760-101.0	1
18	Griff/ Handle/ Poignee	5.321-150.0	2
19	Schraube 4,2x16/ Screw/ Vis	6.303-025.0	3
20	Dichtring 12x1,5/ Sealing Ring/ Bague D'Etancheite	6.362-529.0	1

4.775-04.02.320

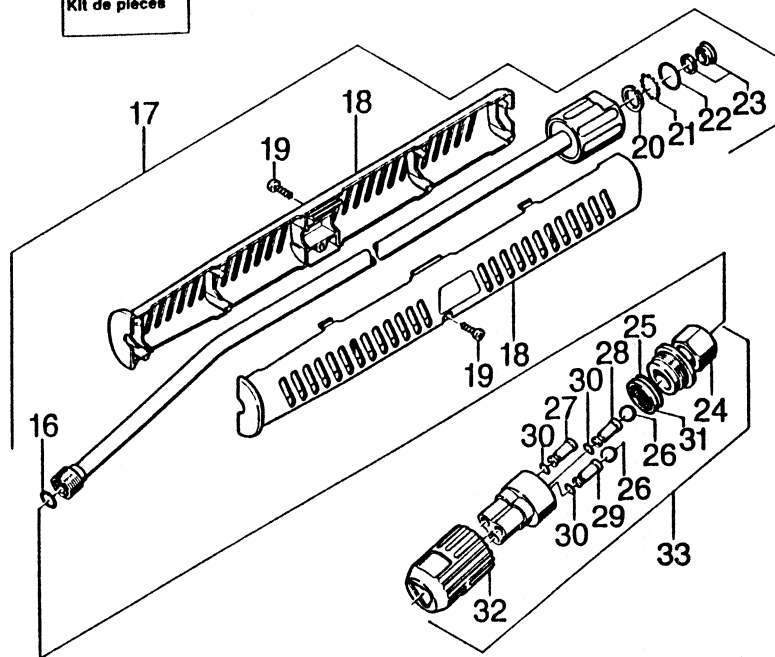
Gruppe 4: Zubehör
 Group 4: Accessories
 Groupe 4: Accessoires

C 4

HD 1050B



Ersatzteil-Set
 Spare parts kit
 Kit de pièces



Pos. Benennung
 Item Description
 Pos. Designation

Teile-Nr.
 Part-No.
 No. piece

Stück
 Qty.
 Nbr.

bis Werk-Nr.78 895/up to serial No.78 895/jusqu'au N° de fabrication 78 895

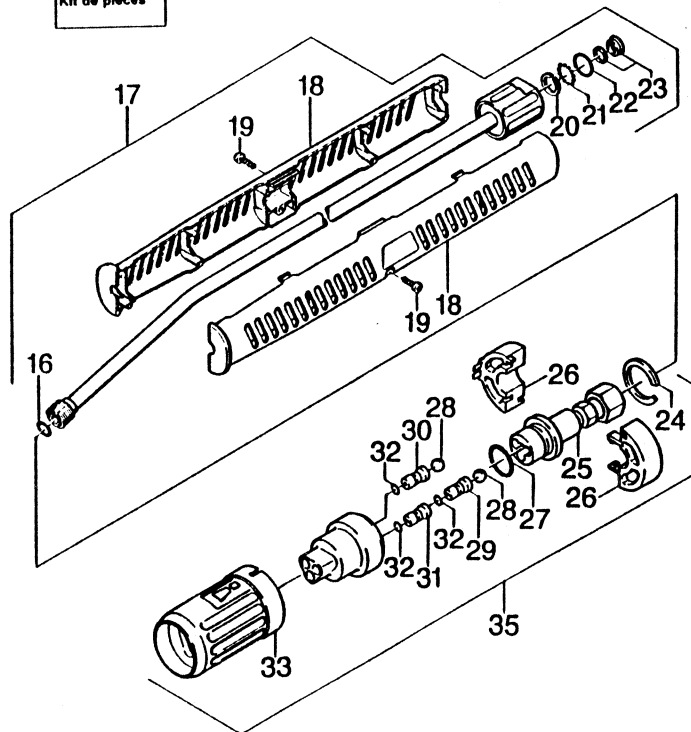
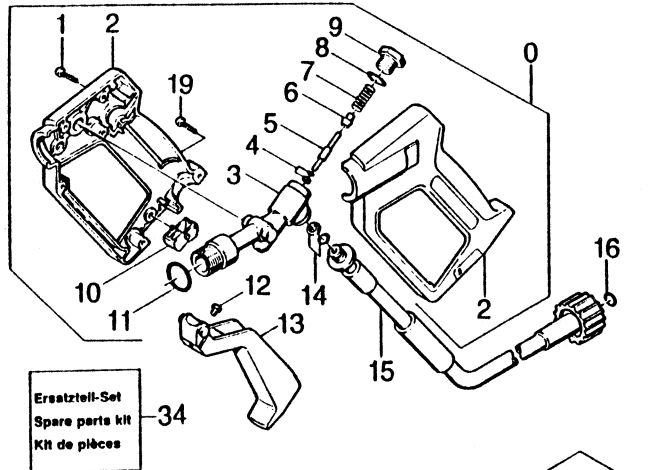
21	Kugel 4 D/ Ball/ Boule	7.401-921.0	12
22	O-Ring 17x1,5/ O-Ring/ Joint Torique	6.362-524.0	1
23	Nut-Ring Kpl.Ist.r./ Grooved Ring/ Joint En U A Levres	6.362-532.0	1
24	Schraubstutzen/ Screw Socket/ Manchon Filete	4.402-041.0	1
25	O-Ring 21,95x1,78/ O-Ring/ Joint Torique	6.362-469.0	1
26	Stahlkugel 3/8 z/ Steel Ball/ Ball D'acier	7.401-910.0	2
27	Vollstrduese 00 055/ Nozz. Mouthp./ Nez de Buse	6.415-468.0	1
28	Flachstrdue. 25055/ Nozzle Mouthp./ Nez de Buse	5.765-021.0	1
29	Flachstrahldue.4025/ Nozzle Mouthp./ Nez de Buse	6.415-467.0	1
30	O-Ring 6x1/ O-Ring/ Joint Torique	6.362-578.0	3
31	Sieb/ Strainer/ Passoir	5.734-068.0	1
32	Schutzteil/ Protection Part/ Piece de Protection	5.394-213.0	1
33	Duesentraeger 055/ Nozzle Support/ Support de Tuyere	4.764-066.0	1
34	Ersatzteil-Set siehe Seite 14 (Bildtafel D16)/ Spare parts kit see page 14 (Board D16)/ Kit de pieces voir page 14 (Tableau D16)	2.880-497.0	1



Gruppe 4: Zubehör
 Group 4: Accessories
 Groupe 4: Accessoires

D 4

HD 1050 B



Pos. Benennung
 Item Description
 Pos. Designation

Teile-Nr.
 Part-No.
 No. piece

Stück
 Qty.
 Nbr.

ab Werk-Nr.78 896/from serial No.78 896/a partir du N° de fabrication 78 896

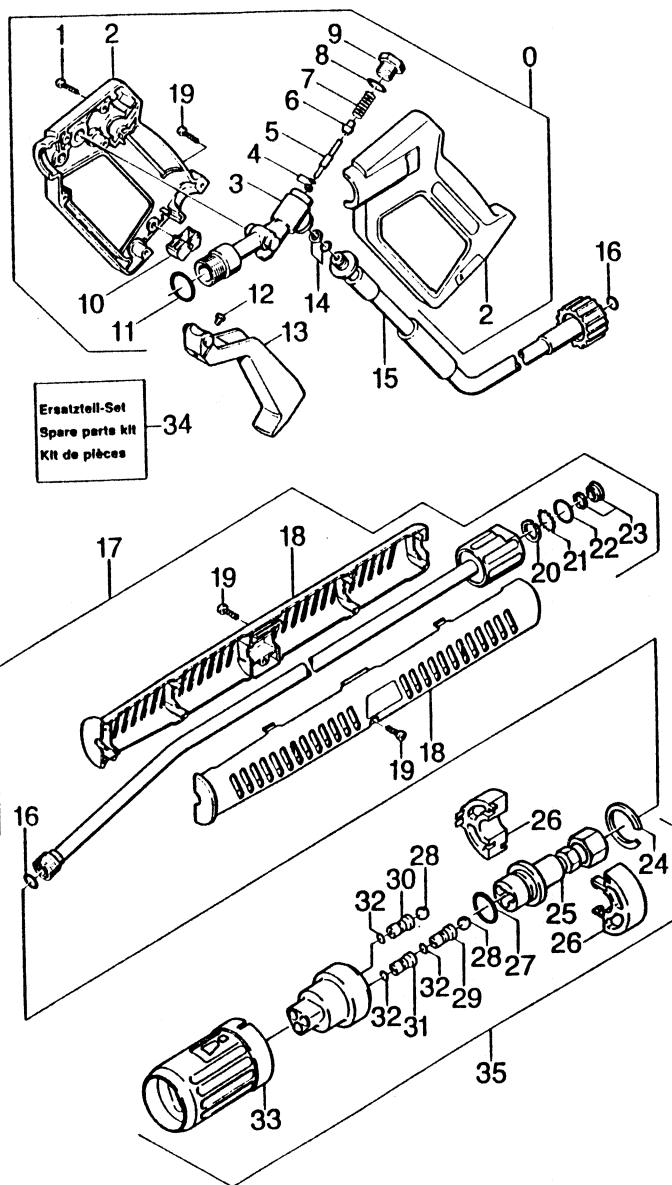
0	Handspritzpistole/ Trigger Gun/ Poignee-Pistolet	4.775-079.0	1
1	Schraube 4,2x22/ Screw/ Vis	6.303-024.0	5
2	Griffpaar/ Grip Pair/ Paire de Poignees	5.321-206.0	1
3	Knotenstueck/ Strut Attach.fitt./ Ferrure Nodale	5.427-115.0	1
4	O-Ring Kompl./ O-Ring Complete/ Joint Torique Comp.	6.362-571.0	1
5	Stange/ Rod/ Perche	5.107-094.0	1
6	Ventilteller/ Valve Head/ Tete de Soupape	5.582-058.0	1
7	Schraubenfeder/ Coil Spring/ Ressort A Boudin	5.332-157.0	1
8	O-Ring 12,42x1,78/ O-Ring/ Joint Torique	6.362-480.0	1
9	Verschluss-Schraube/ Screw Plug/ Vis de Fermeture	5.411-067.0	1
10	Hebel/ Lever/ Levier	5.481-052.0	1
11	O-Ring 17,12x262/ O-Ring/ Joint Torique	6.362-496.0	1
12	Zapfen/ Trunnion/ Tourillon	5.108-097.0	1
13	Hebel/ Lever/ Levier	5.481-066.0	1
14	O-Ring Kpl./Ist.-R./ O-Ring/ Joint Torique	6.362-422.0	1
15	Hd-Schlauch NW 8,10 m/ Hp-Hose/ Tuyau Souple A Hp	6.389-176.0	1
15	Hd-Schlauch NW 8,50 feet/ Hp-Hose/ Tuyau Souple A Hp	6.389-160.0	1
16	O-Ring-Set (5 Stück)/ O-Ring Set (5 Pieces)/ Jeu de 5 Joints Toriques	2.880-296.0	1
17	Strahlrohr 1040lg/ Spray Lance/ Lance D'incendie	4.760-101.0	1
18	Griff/ Handle/ Poignee	5.321-150.0	2
19	Schraube 4,2x16/ Screw/ Vis	6.303-025.0	3
20	Dichtring 12x1,5/ Sealing Ring/ Bague D'Etancheite	6.362-529.0	1

4.775-04.04.320

Gruppe 4: Zubehör
 Group 4: Accessories
 Groupe 4: Accessoires

E 4

HD 1050 B



Pos. Benennung
 Item Description
 Pos. Designation

Teile-Nr.
 Part-No.
 No. piece

Stück
 Qty.
 Nbr.

ab Werk-Nr.78 896/from serial No.78 896/a partir du N° de fabrication 78 896

21	Kugel 4 D/ Ball/ Boule	7.401-921.0	12
22	O-Ring 17x1,5/ O-Ring/ Joint Torique	6.362-524.0	1
23	Nut-Ring Kpl.Ist.r./ Grooved Ring/ Joint En U A Levres	6.362-532.0	1
24	S-Ring 28x1,2/ Sealing Ring/ Circlip	7.343-151.0	1
25	Verschraubungsteil/ Screw Fitting/ Raccord Visse	4.401-049.0	1
26	ET-Set Formteile/ Spare Parts Kit Preform/ Kit de Pieces Preformes	2.883-102.0	1
27	O-Ring 17,0 X 2,0/ O-Ring/ Joint Torique	6.362-580.0	1
28	Kugel D 6,35/ Ball/ Boule	7.401-929.0	2
29	Flachstr.duese 4025/ Nozzle Mouthpiece/ Nez de Buse	6.415-535.0	1
30	Vollstr.duese 00055/ Nozzle Mouthpiece/ Nez de Buse	6.415-536.0	1
31	Flachstr.duese25055/ Nozzle Mouthpiece/ Nez de Buse	6.415-534.0	1
32	O-Ring 5,0 X 1,0/ O-Ring/ Joint Torique	6.362-661.0	3
33	Schutzteil/ Protection Part/ Piece de Protection	5.394-259.0	1
34	Ersatzteilset siehe Seite 9 (Bildtafel E16)/ Spare Parts Kit see Page 9 (Board E16)/ Kit de Pieces voir Page 9 (Tableau E16)	2.883-105.0	1
35	Dreifachduese 055/ Tripple Nozzle/	4.763-124.0	1



D 16

HD 1050 B

Teile sind im Ersatzteil-Set 2.880-497 enthalten
Parts included in spare parts kit 2.880-497
Compris dans le kit de pieces 2.880-497

bis Werk-Nr.78 895
up to serial No.78 895
jusqu'au N° de fabricaton 78 895

Seite Page Page	Bildtafel Board Tableau	Pos Item Pos.	Benennung Designation Designation	Teile-Nr. Part No. No.pieces	Stck. Qty. Nbr.	
13	B 4	4	O-Ring kompl./ O-ring complete/ Joint torique complet	6.362-571	1	
		8	O-Ring/ O-ring/ Joint torique/ 12,42x1,78	6.362-480	1	
		11	O-Ring/ O-ring/ Joint torique/ 17,12x2,62	6.362-496	1	
		16	O-Ring/ O-ring/ Joint torique/ 10,0x2,0	7.362-501	5	
		20	Dichtring/ Sealing ring/ Bague d'etancheite/ 12x1,5	6.362-529	1	
		C 4	21	Kugel/ Ball/ Boule/ 4d	7.401-921	12
			22	O-Ring/ O-ring/ Joint torique/17x1,5	6.362-524	1
			23	Nutring kpl. Ist.-R/ Grooved ring/ Joint en U a levres	6.362-532	1
			25	O-Ring/ O-ring/ Joint torique/ 21,95x1,78	6.362-469	1
		30	O-Ring/ O-ring/ Joint torique/ 6x1	6.362-578	3	
	31	Sieb/ Strainer/ Passoir	5.734-068	1		



E 16

HD 1050 B

Telle sind im Ersatzteil-Set 2.883-105 enthalten
Parts included in spare parts kit 2.883-105
Compris dans le kit de pieces 2.883-105

ab Werk-Nr.78 896
from serial No.78 896
a partir du N° de fabrication 78 896

Seite Page Page	Bildtafel Board Tableau	Pos Item Pos.	Benennung Designation Designation	Teile-Nr. Part No. No.pieces	Stck. Qty. Nbr.
15	D 4	4	O-Ring kompl./ O-ring complete/ Joint torique complet	6.362-571	1
		8	O-Ring/ O-ring/ Joint torique/ 12,4x1,78	6.362-480	1
		11	O-Ring/ O-ring/ Joint torique/ 17,12x2,62	6.362-496	1
		16	O-Ring/ O-ring/ Joint torique/ 10,0x2,0	7.362-501	5
		20	Dichtring/ Sealing ring/ Bague d'etancheite/ 12x1,5	6.362-529	1
	E 4	21	Kugel/ Ball/ Boule/ 4d	7.401-921	12
		22	O-Ring/ O-ring/ Joint torique/17x1,5	6.362-524	1
		23	Nutring kpl. Ist.-R/ Grooved ring/ Joint en U a levres	6.362-532	1
		27	O-Ring/ O-ring/ Joint torique/ 17x2	6.362-580	1
		32	O-Ring/ O-ring/ Joint torique/ 5x1	6.362-661	3



2.880-76.05.547