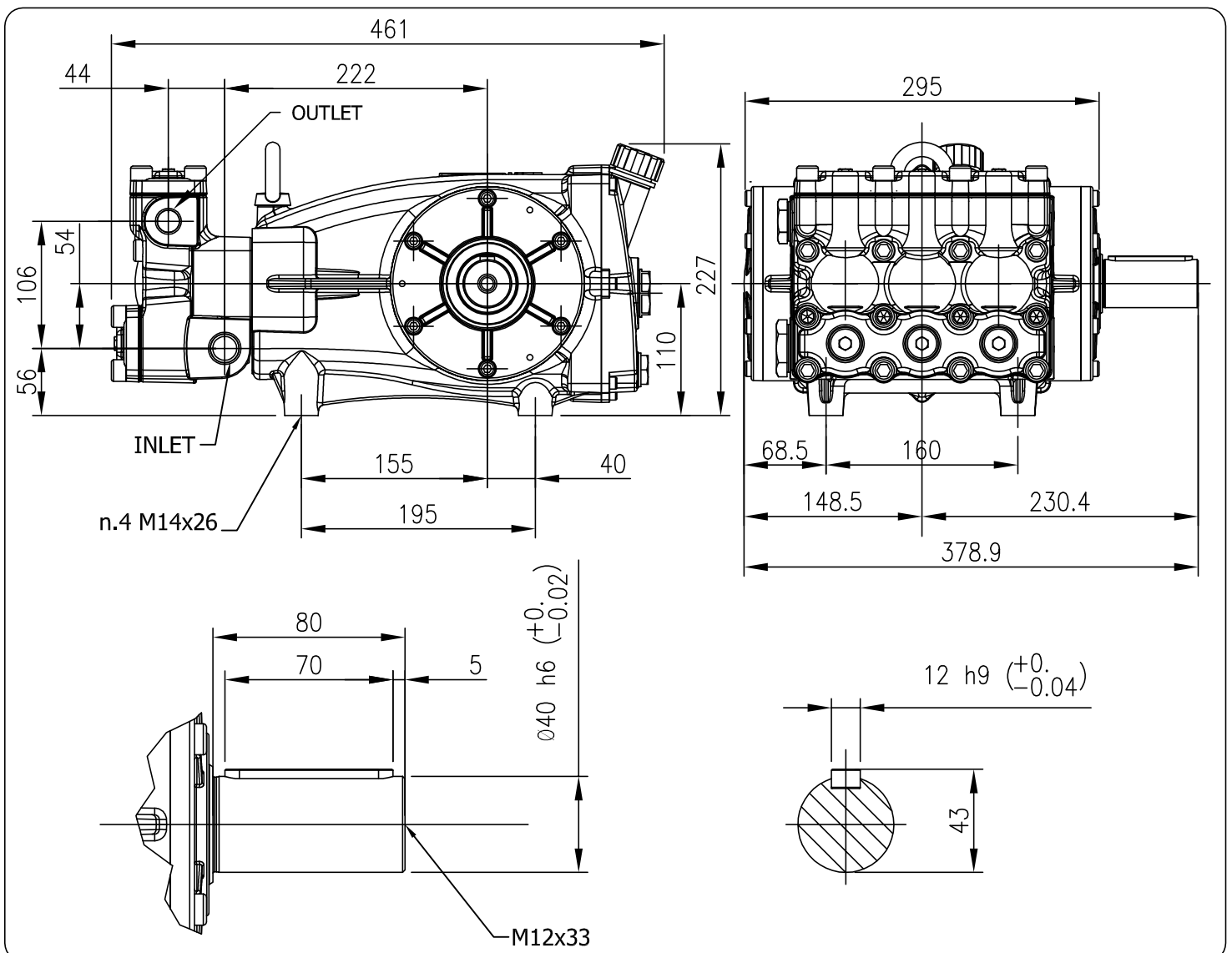


Pump Pompe Pumpen Pompa	Pressure Pression Druck Pressione		Volume Débit Leistung Portata		RPM tours/min u.p.m. giri/min	Required Puissance Leistung Potenza		Inlet port Entrée Eingang Aspirazione	Outlet Sortie Ausgang Mandata	Weight Kg Poids Kg Gewicht Kg Peso Kg
	bar	PSI	l/min	GPM		HP	kW			
HFR40S	280	4100	40	10.6	1000	28.6	21.1	G 1	G 3/4	48
HFR60S	280	4100	60	15.9	1000	43.0	31.6	G 1	G 3/4	48
HFR40F	280	4100	40	10.6	1450	28.7	21.1	G 1	G 3/4	48
HFR60F	280	4100	60	15.9	1450	43.0	31.6	G 1	G 3/4	48
HFR80F	280	4100	80	21.1	1450	57.5	42.1	G 1	G 3/4	48
HFR80S	150	2200	80	21.1	1000	30.5	22.4	G 1 1/4	G 3/4	48
HFR105S	150	2200	105	27.7	1000	40.3	30.0	G 1 1/4	G 3/4	48
HFR120S	150	2200	120	31.7	1000	46.1	33.8	G 1 1/4	G 3/4	48

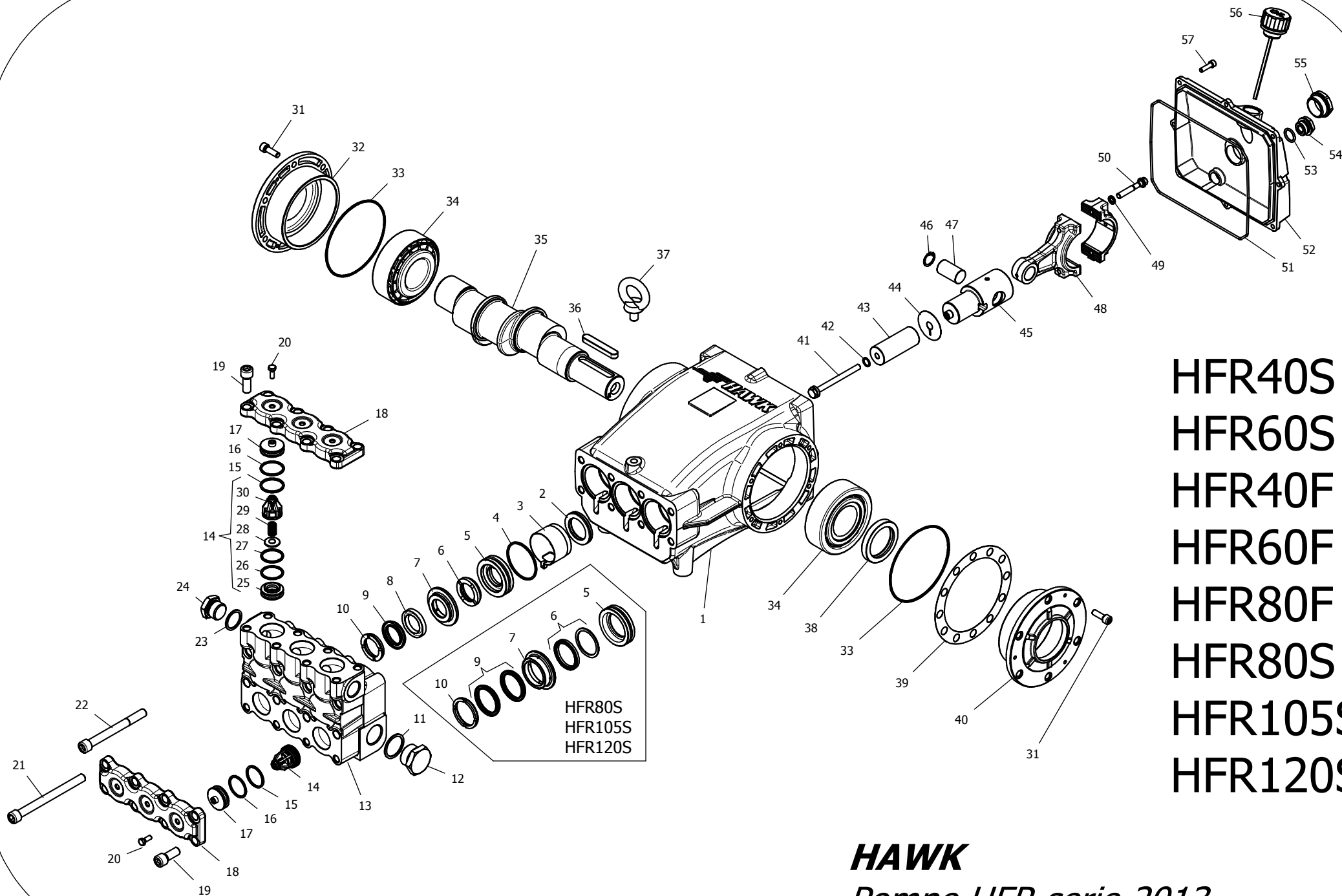
Dimensioni d'ingombro

Overall dimensions



Lubrificazione: Olio SAE 10W40
Capacità 3,5 Litri

Lubrication: SAE 10W40 Oil
Capacity 3,5 Litres



HFR40S
HFR60S
HFR40F
HFR60F
HFR80F
HFR80S
HFR105S
HFR120S

HAWK

Pompe HFR serie 2013

HFR pumps 2013 series

HFR pumps 2013 series

SPARE PARTS KIT

KIT RICAMBI

Posizioni Item	Part Number & Description	Codice e Descrizione	Q.tà per ogni Pompa Q.ty for each Pump	HFR40S	HFR60S	HFR40F	HFR60F	HFR80F	HFR80S	HFR105S	HFR120S
3x (4- 6- 8- 9- 10)	2600.60 Plunger Seals 30 mm	2600.60 Guarnizioni pistone Ø30	1	◆	◆	◆	◆	◆			
3x (4- 6- 9- 10)	2600.95 Plunger Seals 40 mm	2600.95 Guarnizioni pistone Ø40	1						◆	◆	◆
4- 5- 6- 7- 8- 9- 10	2600.61 Complete Seals Packing 30 mm	2600.61 Pacco completo guarnizioni pistone Ø30	3	◆	◆	◆	◆	◆			
4- 5- 6- 7- 9- 10	2600.94 Complete Seals Packing 40 mm	2600.94 Pacco completo guarnizioni pistone Ø40	3						◆	◆	◆
41- 42- 43- 44	2600.62 Plunger 30 mm	2600.62 Pistone Ø30	3	◆	◆	◆	◆	◆			
	2600.91 Plunger 40 mm	2600.91 Pistone Ø40	3						◆	◆	◆
14- 15- 16	2600.63 Complete valve	2600.63 Valvola completa	6	◆	◆	◆	◆	◆			
	2600.93 Complete valve	2600.93 Valvola completa	6						◆	◆	◆
3x (2- 3)	2600.64 Plunger Oil Seals	2600.64 Anelli tenuta olio asta	1	◆	◆	◆	◆	◆	◆	◆	◆
4- 5- 6- 7- 8- 9- 10 11- 12- 13- 14- 15	2600.65 Complete Manifold	2600.65 Testata completa	1	◆	◆	◆	◆	◆			
16- 17- 18- 19- 20 23- 24	2600.92 Complete Manifold	2600.92 Testata completa	1						◆	◆	◆

PARTS LIST

LISTA PARTI

Pos. Item	Codice Part Number	Description	Descrizione	Q.tà per ogni Pompa Q.ty for each Pump	HFR40S	HFR60S	HFR40F	HFR60F	HFR80F	HFR80S	HFR105S	HFR120S
1	0202.94	Carter	Carter	1								
*2	0001.15	Plunger oil seal	Anello radiale	3	◆	◆	◆	◆	◆	◆	◆	◆
*3	0101.24	Plastic bushing	Boccola corteco aste	3								
*4	0601.16	"O" Ring Ø2.62x56,82	"O" Ring Ø2,62x56,82	3								
*5	1201.51	Pressure ring Ø30 mm	Pressore Ø30 mm	3	◆	◆	◆	◆	◆			
	1201.55	Pressure ring Ø40 mm	Pressore Ø40 mm	3						◆	◆	◆
*6	0002.11	"VB" seal, Ø30x45 mm	Anello tenuta VB Ø30x45 mm	3	◆	◆	◆	◆	◆			
	0002.74	"VB" seal, Ø40 LP	Anello tenuta VB Ø40 LP	3						◆	◆	◆
*7	0300.69	Intermed.ring Ø30 mm	Diffusore Interm. Ø30 mm	3	◆	◆	◆	◆	◆			
	0300.72	Intermed.ring Ø40 mm	Diffusore Interm. Ø40 mm	3						◆	◆	◆
*8	0009.35	Back ring Ø30 mm	Anello antiestrusione Ø30 mm	3	◆	◆	◆	◆	◆			

HFR pumps 2013 series

PARTS LIST

LISTA PARTI

Pos. Item	Codice Part Number	Description	Descrizione	Q.tà per ogni Pompa Q.ty for each Pump	HFR40S	HFR60S	HFR40F	HFR60F	HFR80F	HFR80S	HFR105S	HFR120S
*9	0002.12	"V" seal, Ø30x45 mm	Anello tenuta "V" Ø30x45 mm	3	◆	◆	◆	◆	◆			
	0002.75	"V" seal, Ø40x50x5,5 mm	Anello tenuta "V" Ø40x50x5,5 mm	6						◆	◆	◆
*10	0300.18	Support ring Ø30 mm	Diffusore "V" Ø30 mm	3	◆	◆	◆	◆	◆			
	0300.73	Support ring Ø40 mm	Diffusore "V" Ø40 mm	3						◆	◆	◆
*11	0603.12	Copper washer	Guarnizione rame G1	1	◆	◆	◆	◆	◆			
	1408.14	Bonded seal 1" 1/4 NBR	Bonded seal 1" 1/4 NBR	1						◆	◆	◆
*12	1601.57	Brass plug G1	Tappo G1 ottone	1	◆	◆	◆	◆	◆			
	1601.65	Brass plug G1" 1/4	Tappo G1" 1/4 ottone	1						◆	◆	◆
*13	1602.32	Manifold housing	Testata	1	◆	◆	◆	◆	◆			
	1602.38	Manifold housing	Testata	1						◆	◆	◆
*14	3604.01	Valve assembly	Valvola premontata	6	◆	◆	◆	◆	◆			
	3604.04	Valve assembly	Valvola premontata	6						◆	◆	◆
*15	0601.13	"O" Ring Ø2.62x31.42	"O" Ring Ø2,62x31,42	6								
*16	0009.37	Back ring	Anello antiestrusione	6								
*17	1601.56	Valve plug	Tappo valvola	6								
*18	0203.54	Valves cover	Coperchio VAM	2								
*19	1801.07	Valves cover screw	Vite TCEI M12x30 UNI 5931	12								
*20	1802.01	Valve plug screw	Vite TE M6x16 UNI 5739	6	◆	◆	◆	◆	◆	◆	◆	◆
*21	1801.09	Manifold stud bolt	Vite TCEI M12x140 UNI 5931	4								
22	1801.10	Manifold stud bolt	Vite TCEI M12x120 UNI 5931	4								
*23	0603.11	Copper washer	Guarnizione rame G3/4 Ø26,7/32,5x1,5	1								
*24	1601.58	Inox Plug G3/4	Tappo G3/4 inox	1								
25	1503.29	Valve seat	Sede valvola	6	◆	◆	◆	◆	◆			
	1503.34	Valve seat	Sede valvola	6						◆	◆	◆
26	0009.36	Back ring	Anello antiestrusione	6								
27	0601.58	"O" Ring Ø2.62x28.25-3112	"O" Ring Ø2,62x28,25-3112	6								
28	1202.13	Valve plate	Piattello valvola	6								
29	0900.39	Valve spring	Molla valvola	6								
30	0604.14	Valve cage	Gabbia valvola	6	◆	◆	◆	◆	◆	◆	◆	◆
31	1801.06	Bearing housing screw	Vite TCEI M8x25 UNI 5931	12								
32	0500.98	Closed bearing housing	Flangia chiusa	1								
33	0601.12	"O" Ring Ø2.62x120.32	"O" Ring Ø2,62x120,32 NBR	2								
34	0200.12	Roller bearing	Cuscinetto 32310 rulli conici	2								
35	0006.20	Single - endend crankshaft	Albero singola P.d.F.	1	◆							
	0006.21	" " "	" " "	1		◆						
	0006.22	" " "	" " "	1			◆					
	0006.23	" " "	" " "	1				◆		◆		
	0006.24	" " "	" " "	1					◆		◆	
	0006.25	" " "	" " "	1							◆	

HFR pumps 2013 series

PARTS LIST

LISTA PARTI

Pos. Item	Codice Part Number	Description	Descrizione	Q.tà per ogni Pompa Q.ty for each Pump	HFR40S	HFR60S	HFR40F	HFR60F	HFR80F	HFR80S	HFR105S	HFR120S
					◆	◆	◆	◆	◆	◆	◆	◆
36	0206.07	Crankshaft key	Chiavetta	1	◆	◆	◆	◆	◆	◆	◆	◆
37	1800.12	Eyebolt	Golfare M12	1								
38	0001.14	Crankshaft seal	Anello radiale	1								
39	0301.12	Shim	Distanziale	1								
40	0500.97	Bearing housing	Flangia aperta	1	◆	◆	◆	◆	◆	◆	◆	◆
*41	1800.11	Plunger bolt	Vite pistone	3								
*42	0601.15	"O" Ring Ø1.78x11.11	"O" Ring Ø1,78x11,11	3								
*43	1200.26	Plunger 30 mm	Pistone Ø30	3	◆	◆	◆	◆	◆			
	1200.28	Plunger 40 mm	Pistone Ø40	3						◆	◆	◆
*44	1400.55	Copper spacer	Rosetta rame pistone	3								
45	0003.22	Plunger rod	Asta pattino	3								
46	1501.05	Snap ring	Anello Ø22	6								
47	1502.05	Connecting rod pin	Spinotto	3								
48	0100.09	Connecting rod	Biella	3								
49	1403.05	Spring washer	Rosetta elastica Ø8	6								
50	1800.13	Connecting rod screw	Vite biella	6								
51	0601.11	"O" ring Ø 2.62x209.23	"O" ring Ø 2,62x209,23	1	◆	◆	◆	◆	◆	◆	◆	◆
52	0203.55	Crankcase cover	Coperchio carter	1								
53	0601.19	"O" Ring Ø2.62x17.13	"O" Ring Ø2,62x17,13	1								
54	1601.20	Brass plug G1/2	Tappo G1/2 ottone	1								
55	0700.06	Sight glass G1	Spia livello olio G1	1								
56	1600.13	Oil dip stick G3/4	Tappo sfiato olio G3/4	1								
57	1801.26	Cover screw	Vite TCEI M6x22 UNI 5931	8								

  Part available
in kit only

**Particol. disponibile
solo in kit**

  Part available
in kit also

**Particol. disponibile
anche in kit**