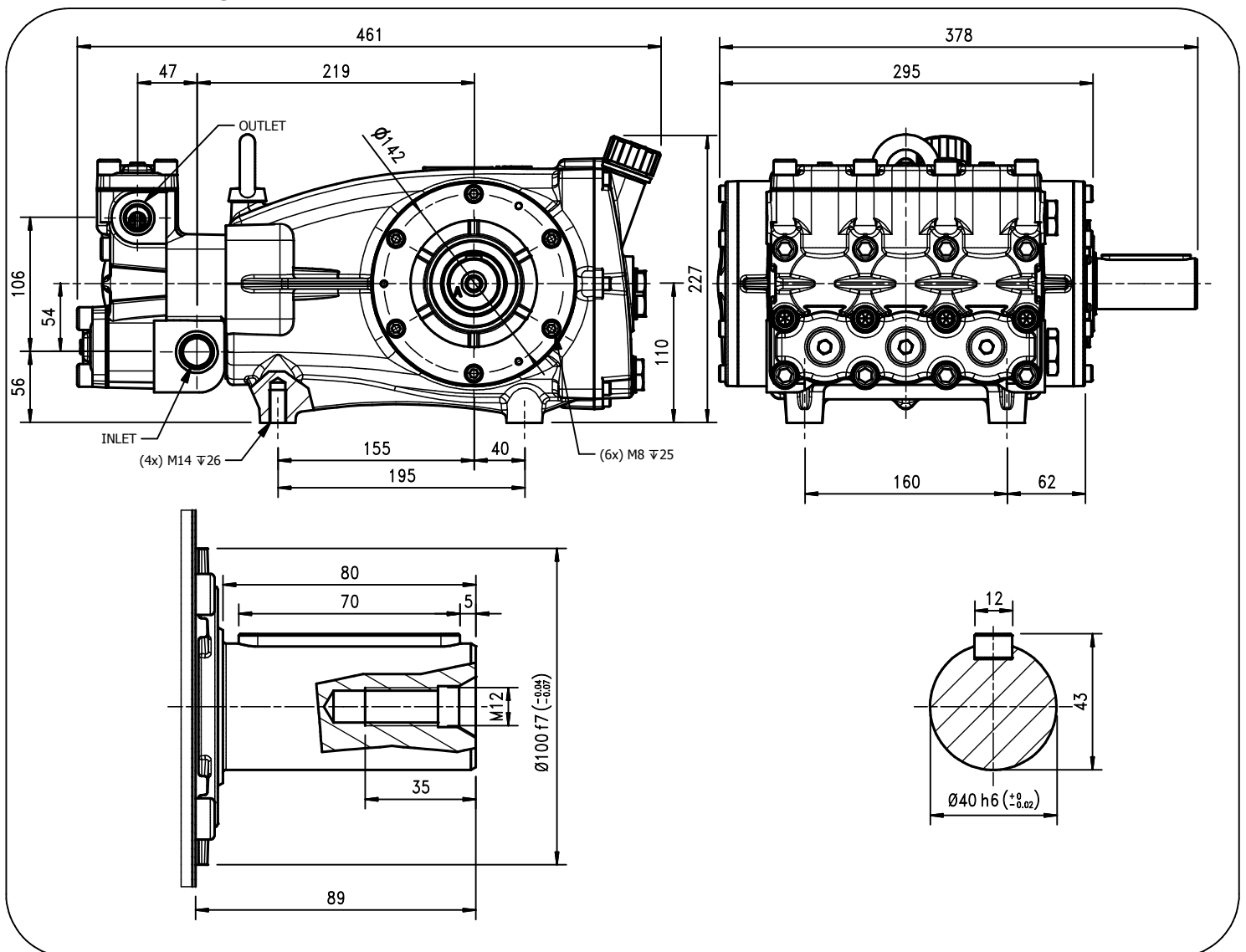


Pump Pompe Pumpen Pompa	Pressure Pression Druck Pressione		Volume Débit Wassermenge Portata		RPM tours/min u.p.m. giri/min	Power Puissance Leistung Potenza		Inlet port Entrée Eingang Aspirazione	Outlet Sortie Ausgang Mandata	Weight Kg Poids Kg Gewicht Kg Peso Kg
	bar	PSI	l/min	GPM		HP	kW			
HHP25S	500	7250	25	6.6	1000	32.6	24.0	G 3/4	G 1/2	51
HHP30S	500	7250	30	7.9	1000	37.0	27.2	G 3/4	G 1/2	51
HHP38F	350	5000	38	10.0	1450	34.1	25.1	G 3/4	G 1/2	51

Dimensioni d'ingombro

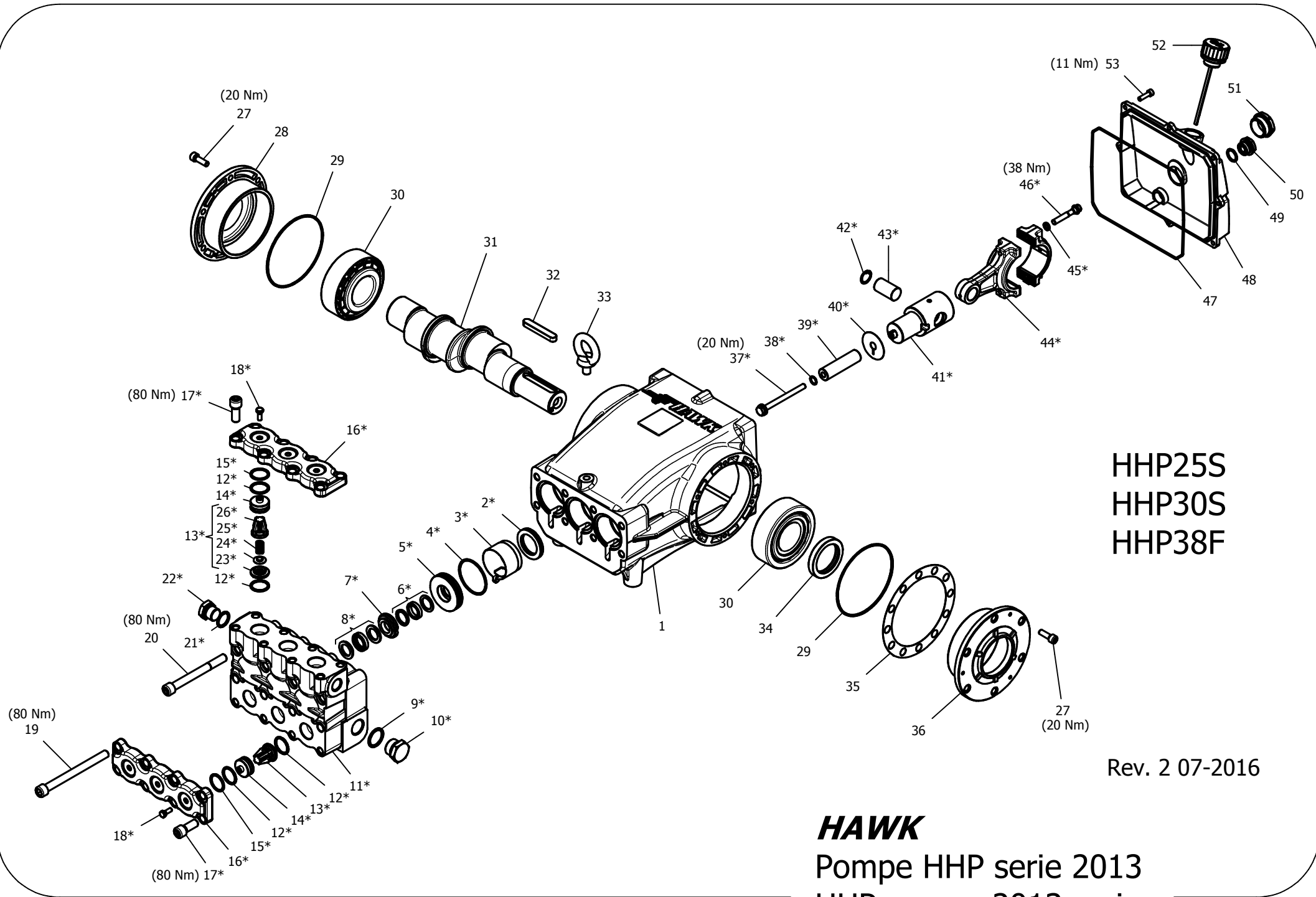
Overall dimensions



Lubrificazione: Olio SAE 10W40
 Capacità: 3.5 Litri
 Peso pompa: 48 Kg

Rev. 2 07-2016

Lubrication: SAE 10W40 Oil
 Capacity: 3.5 Litres
 Weight: 48 Kg



HAWK
 Pompe HHP serie 2013
 HHP pumps 2013 series

HHP pumps 2013 series

SPARE PARTS KIT

KIT RICAMBI

Posizioni Items	Part Number & Description	Codice e Descrizione	Q.tà per ogni Pompa Q.ty fpr each Pump	HHP25SR/L	HHP30SR/L	HHP38FR/L
3x (4- 6- 8)	2600.70 Plunger Seals 20 mm	2600.70 Guarnizioni pistone Ø20	1			
4- 5- 6- 7- 8	2600.71 Complete Seals Packing 20 mm	2600.71 Pacco completo guarnizioni pistone Ø20	3	◆	◆	◆
37- 38- 39- 40	2600.72 Plunger 20 mm	2600.72 Pistone Ø20	3			
12- 13- 15	2600.73 Complete valve	2600.73 Valvola completa	6			◆
12- 13- 15	2600.86 Complete valve	2600.86 Valvola completa	6	◆	◆	
3x (2- 3)	2600.64 Plunger Oil Seals	2600.64 Anelli tenuta olio asta	1	◆	◆	◆
4- 5- 6- 7- 8- 9 10- 11- 12- 13 14- 15- 16- 17 18- 21- 22	2600.74 Complete Manifold	2600.74 Testata completa	1			◆
4- 5- 6- 7- 8- 9 10- 11- 12- 13 14- 15- 16- 17 18- 21- 22	2600.87 Complete Manifold	2600.87 Testata completa	1	◆	◆	

PARTS LIST

LISTA PARTI

Pos. Item	Codice Part Number	Description	Descrizione	Q.tà per ogni Pompa Q.ty fpr each Pump	HHP25SR/L	HHP30SR/L	HHP38FR/L
1	0202.94	Carter	Carter	1			
*2	0001.15	Plunger oil seal	Anello radiale	3			
*3	0101.24	Plastic Bushing	Boccola paraolio aste	3			
*4	0601.16	"O" Ring Ø2,62x56,82	"O" Ring Ø2,62x56,82	3			
*5	1201.52	Pressure ring Ø20 mm	Pressore Ø20 mm	3			
*6	0002.52	"U" seal, Ø20x28 mm	Anello tenuta "U" Ø20x28 mm	3	◆	◆	◆
*7	0300.70	Intermed.ring Ø20 mm	Diffusore Intern. Ø20 mm	3			
*8	0002.66	"U" seal, Ø20x30 mm 350-500 BAR	Anello tenuta "U" Ø20x30 mm 350-500 BAR	3			
*9	0603.11	Copper washer	Guarnizione rame G3/4 Ø26,7/32,5x1,5	1			
*10	1601.58	Inox plug G3/4	Tappo G 3/4 Inox	1			
*11	1602.33	Manifold housing	Testata	1	◆	◆	
	1602.36	Manifold housing	Testata	1			◆
*12	0601.66	"O" Ring Ø2,62x25,07-3100	"O" Ring Ø2,62x25,07-3100	12			◆
	0601.97	"O" Ring Ø2,62x22,22	"O" Ring Ø2,62x22,22	12	◆	◆	
*13	3604.02	Valve assembly	Valvola premontata	6			◆
	3604.03	Valve assembly	Valvola premontata	6	◆	◆	
*14	1601.63	Valve plug	Tappo valvola	6			◆
	1601.64	Valve plug	Tappo valvola	6	◆	◆	

HHP pumps 2013 series

PARTS LIST

LISTA PARTI

Pos. Item	Codice Part Number	Description	Descrizione	Q.tà per ogni Pompa Q.ty for each Pump	HHP25SR/L	HHP30SR/L	HHP38FR/L
*15	0009.41	Back ring	Anello antiestrusione	6			◆
	0009.42	Back ring	Anello antiestrusione	6	◆	◆	
*16	0203.54	Valves cover	Coperchio VAM	2			
*17	1801.07	Valves cover screw	Vite TCEI M12x30 UNI 5931	12			
*18	1802.01	Valve plug screw	Vite TE M6x16 UNI 5739	6			
19	1801.09	Manifold stud bolt	Vite TCEI M12x140 UNI 5931	4	◆	◆	◆
20	1801.10	Manifold stud bolt	Vite TCEI M12x120 UNI 5931	4			
*21	0603.07	Copper washer	Guarnizione rame G1/2 Ø	1			
*22	1601.54	Inox plug G1/2	Tappo G1/2 inox	1			
*23	1503.32	Valve seat	Sede valvola	6			◆
	1503.33	Valve seat	Sede valvola	6	◆	◆	
*24	1202.15	Valve plate	Piattello valvola	6			
*25	0900.32	Valve spring	Molla valvola	6			
*26	0604.13	Valve cage	Gabbia valvola	6			
27	1801.06	Bearing housing screw	Vite TCEI M8x25 UNI 5931	12	◆	◆	◆
28	0500.98	Closed bearing housing	Flangia chiusa	1			
29	0601.12	"O" Ring Ø2,62x120,32	"O" Ring Ø2,62x120,32 NBR	2			
30	0200.12	Roller bearing	Cuscinetto 32310 rulli conici	2			
31	0006.21	Single - endend crankshaft	Albero singola P.d.F.	1			◆
	0006.24	Single - endend crankshaft	Albero singola P.d.F.		◆		
	0006.25	Single - endend crankshaft	Albero singola P.d.F.	1		◆	
32	0206.07	Crankshaft key	Chiavetta	1			
33	1800.12	Eyebolt	Golfare M12	1			
34	0001.14	Crankshaft seal	Anello radiale	1			
35	0301.12	Shim	Distanziale	1			
36	0500.97	Bearing housing	Flangia aperta	1			
*37	1800.11	Plunger bolt	Vite pistone	3			
*38	0601.15	"O" Ring Ø1,78x11,11	"O" Ring Ø1,78x11,11	3			
*39	1200.27	Plunger 20 mm	Pistone Ø20	3			
*40	1400.55	Copper spacer	Rosetta rame pistone	3			
41	0003.22	Plunger rod	Asta pattino	3			
42	1501.05	Snap ring	Anello Ø22	6	◆	◆	◆
43	1502.05	Connecting rod pin	Spinotto	3			
44	0100.09	Connecting rod	Biella	3			
45	1403.05	Spring washer	Rosetta elastica Ø8	6			
46	1800.13	Connecting rod screw	Vite biella	6			
47	0601.11	"O" ring Ø 2,62x209,23	"O" ring Ø 2,62x209,23	1			
48	0203.55	Cranckcase cover	Coperchio carter	1			
49	0601.19	"O" Ring Ø2,62x17,13	"O" Ring Ø2,62x17,13	1			
50	1601.20	Brass plug G1/2	Tappo G1/2 ottone	1			
51	0700.06	Sight glass G1	Spia livello olio G1	1			
52	1600.13	Oil dip stick G3/4	Tappo sfiato olio G3/4	1			
53	1801.26	Cover screw	Vite TCEI M6x22 UNI 5931	8			

* Part available
in kit only

**Particol. disponibile
solo in kit**

* Part available
in kit also

**Particol. disponibile
anche in kit**