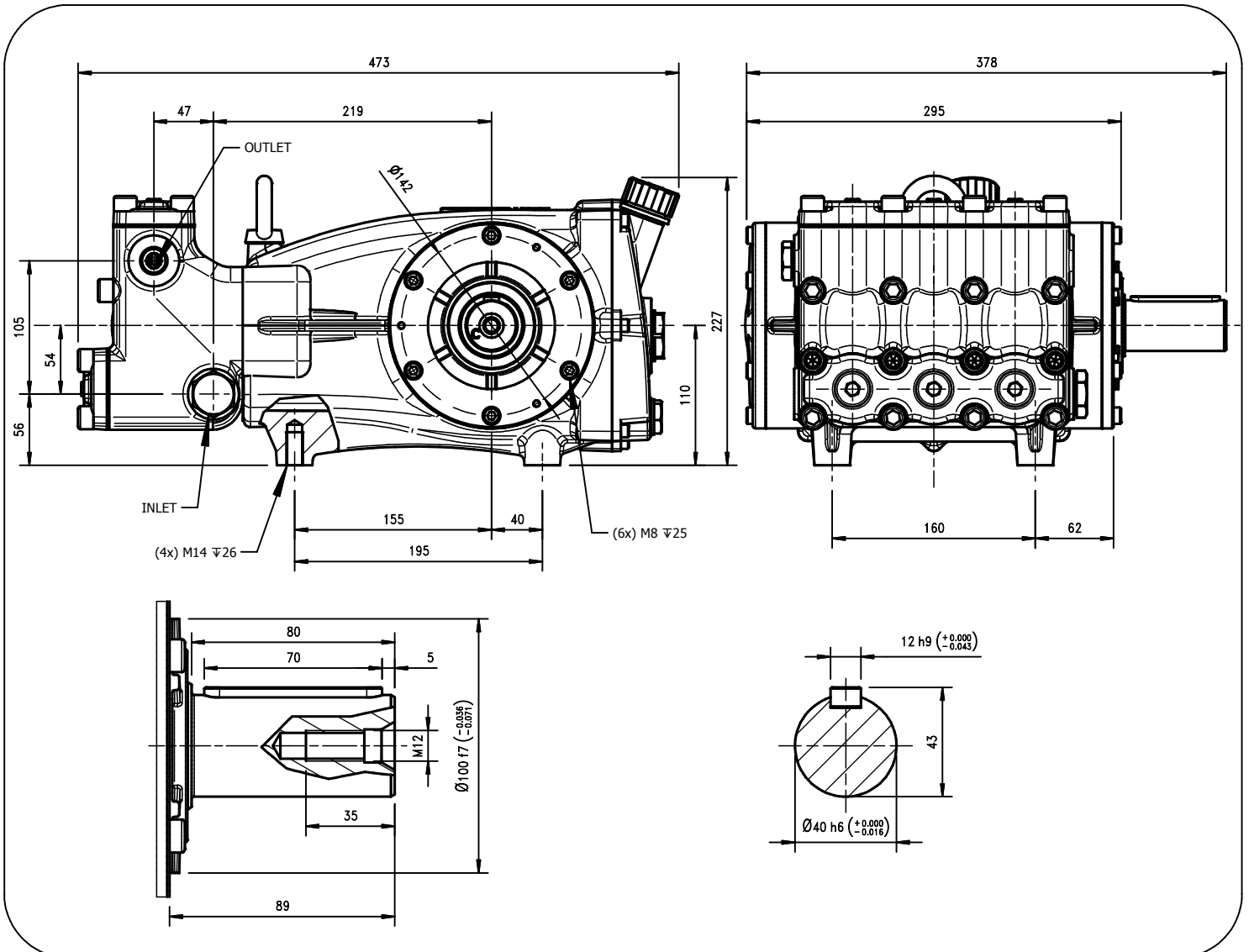
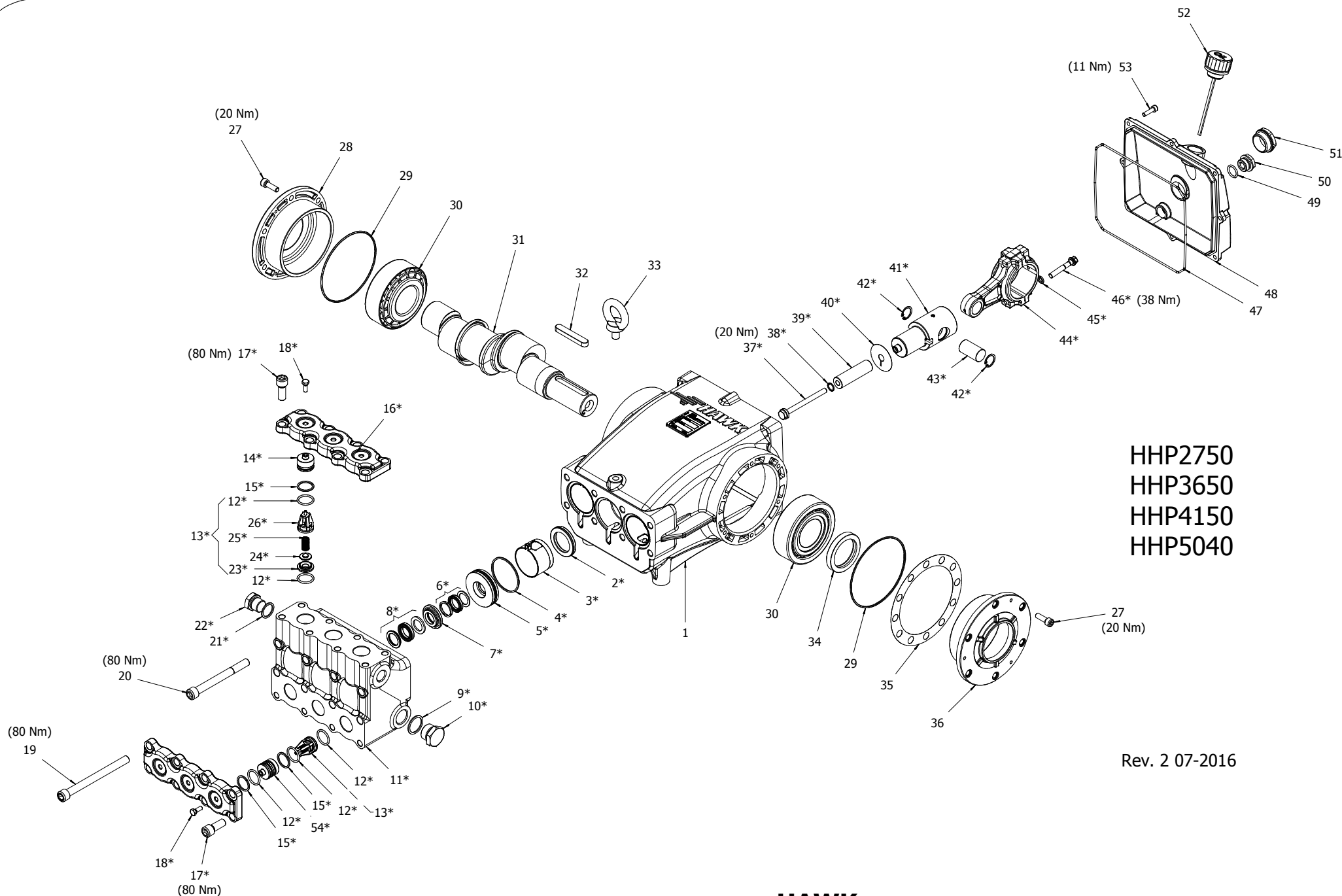


Pump Pompe Pumpen Pompa	Pressure Pression Druck Pressione		Volume Débit Wassermenge Portata		RPM tours/min u.p.m. giri/min	Power Puissance Leistung Potenza		Inlet port Entrée Eingang Aspirazione	Outlet Sortie Ausgang Mandata	Weight Kg Poids Kg Gewicht Kg Peso Kg
	bar	PSI	l/min	GPM		HP	kW			
HHP2750	500	7250	27	7.1	1450	35.5	26.1	G 3/4	G 1/2	51
HHP3650	500	7250	36	9.5	1450	46.9	34.5	G 3/4	G 1/2	51
HHP4150	500	7250	41	10.8	1450	53.7	39.5	G 3/4	G 1/2	51
HHP5040	400	5800	50	13.3	1740	51.5	37.9	G 3/4	G 1/2	51

Dimensioni d'ingombro

Overall dimensions





HHP2750
HHP3650
HHP4150
HHP5040

Rev. 2 07-2016

HAWK
Pompe HHP 1450 rpm serie 2011
HHP pumps 1450 rpm 2011 series

Pompe HHP1450 rpm 2013

SPARE PARTS KIT

KIT RICAMBI

Posizioni Items	Part Number & Description	Codice e Descrizione	Q.tà per ogni Pompa Q.ty for each Pump	HHP2750 R/L	HHP3650 R/L	HHP4150 R/L	HHP5040 R/L
3x (4- 6- 8)	2600.70 Plunger Seals 20 mm	2600.70 Guarnizioni pistone Ø20	1				
4- 5- 6- 7- 8	2600.82 Complete Seals Packing 20 mm	2600.82 Pacco completo guarnizioni pistone Ø20	3				
37- 38- 39- 40	2600.97 Plunger 20 mm	2600.97 Pistone Ø20	3				
12- 13- 15	2600.98 Complete valve	2600.98 Valvola completa	6	◆	◆	◆	◆
3x (2- 3)	2600.64 Plunger Oil Seals	2600.64 Anelli tenuta olio asta	1				
4- 5- 6- 7- 8- 9 10- 11- 12- 13 14- 15- 16- 17 18- 21- 22	2600.99 Complete Manifold	2600.99 Testata completa	1				

PARTS LIST

LISTA PARTI

Pos. Item	Codice Part Number	Description	Descrizione	Q.tà per ogni Pompa Q.ty for each Pump	HHP2750 R/L	HHP3650 R/L	HHP4150 R/L	HHP5040 R/L
1	0202.94	Carter	Carter	1				
*2	0001.15	Plunger oil seal	Anello radiale	3				
*3	0101.24	Plastic Bushing	Boccola paraolio aste	3				
*4	0601.16	"O" Ring Ø2,62x56,82	"O" Ring Ø2,62x56,82	3				
*5	1201.54	Pressure ring Ø20 mm	Pressore Ø20 mm	3				
*6	0002.52	"U" seal, Ø20x28 mm	Anello tenuta "U" Ø20x28 mm	3				
*7	0300.74	Intermed.ring Ø20 mm	Diffusore Interm. Ø20 mm	3				
*8	0002.66	"U" seal, Ø20x30 mm 350-500 BAR	Anello tenuta "U" Ø20x30 mm 350-500 BAR	3				
*9	0603.11	Copper washer	Guarnizione rame G3/4 Ø26,7/32,5x1,5	1				
*10	1601.58	Inox plug G3/4	Tappo G 3/4 Inox	1	◆	◆	◆	◆
*11	1602.37	Manifold housing	Testata	1				
*12	0601.97	"O" Ring Ø2,62x22,22	"O" Ring Ø2,62x22,22	15				
*13	3604.75	Valve assembly	Valvola premontata	6				
*14	1601.66	Valve plug	Tappo valvola	3				
*15	0009.42	Back ring	Anello antiestrusione	9				
*16	0203.54	Valves cover	Coperchio VAM	2				
*17	1801.07	Valves cover screw	Vite TCEI M12x30 UNI 5931	12				
*18	1802.01	Valve plug screw	Vite TE M6x16 UNI 5739	6				
19	1801.09	Manifold stud bolt	Vite TCEI M12x140 UNI 5931	4				
20	1801.10	Manifold stud bolt	Vite TCEI M12x120 UNI 5931	4				
*21	0603.07	Copper washer	Guarnizione rame G1/2 Ø	1				

Pompe HHP1450 rpm 2013

PARTS LIST

LISTA PARTI

Pos. Item	Codice Part Number	Description	Descrizione	Q.tà per ogni Pompa Q.ty for each Pump	HHP2750 R/L	HHP3650 R/L	HHP4150 R/L	HHP5040 R/L
*22	1601.54	Inox plug G1/2	Tappo G1/2 inox	1				
*23	1503.33	Valve seat	Sede valvola	6				
*24	1202.15	Valve plate	Piattello valvola	6				
*25	0900.32	Valve spring	Molla valvola	6				
*26	0604.06	Valve cage	Gabbia valvola	6	◆	◆	◆	◆
27	1801.06	Bearing housing screw	Vite TCEI M8x25 UNI 5931	12				
28	0500.98	Closed bearing housing	Flangia chiusa	1				
29	0601.12	"O" Ring Ø2,62x120,32	"O" Ring Ø2,62x120,32 NBR	2				
30	0200.12	Roller bearing	Cuscinetto 32310 rulli conici	2				
31	0006.23	Single - endend crankshaft	Albero singola P.d.F.	1	◆			
	0006.24	Single - endend crankshaft	Albero singola P.d.F.	1		◆		
	0006.25	Single - endend crankshaft	Albero singola P.d.F.	1			◆	◆
32	0206.07	Crankshaft key	Chiavetta	1				
33	1800.12	Eyebolt	Golfare M12	1				
34	0001.14	Crankshaft seal	Anello radiale	1				
35	0301.12	Shim	Distanziale	1				
36	0500.97	Bearing housing	Flangia aperta	1				
*37	1800.11	Plunger bolt	Vite pistone	3				
38	0601.15	"O" Ring Ø1,78x11,11	"O" Ring Ø1,78x11,11	3				
*39	1200.29	Plunger	Pistone	3				
*40	1400.55	Copper spacer	Rosetta rame pistone	3				
41	0003.22	Plunger rod	Asta pattino	3				
42	1501.05	Snap ring	Anello Ø22	6				
43	1502.05	Connecting rod pin	Spinotto	3	◆	◆	◆	◆
44	0100.09	Connecting rod	Biella	3				
45	1403.05	Spring washer	Rosetta elastica Ø8	6				
46	1800.13	Connecting rod screw	Vite biella	6				
47	0601.11	"O" ring Ø 2,62x209,23	"O" ring Ø 2,62x209,23	1				
48	0203.55	Crankcase cover	Coperchio carter	1				
49	0601.19	"O" Ring Ø2,62x17,13	"O" Ring Ø2,62x17,13	1				
50	1601.20	Brass plug G1/2	Tappo G1/2 ottone	1				
51	0700.06	Sight glass G1	Spia livello olio G1	1				
52	1600.13	Oil dip stick G3/4	Tappo sfiato olio G3/4	1				
53	1801.26	Cover screw	Vite TCEI M6x22 UNI 5931	8				
54	1601.67	Valve plug	Tappo valvola	3				

* Part available
in kit only

**Particol. disponibile
solo in kit**

* Part available
in kit also

**Particol. disponibile
anche in kit**