

## FEATURES

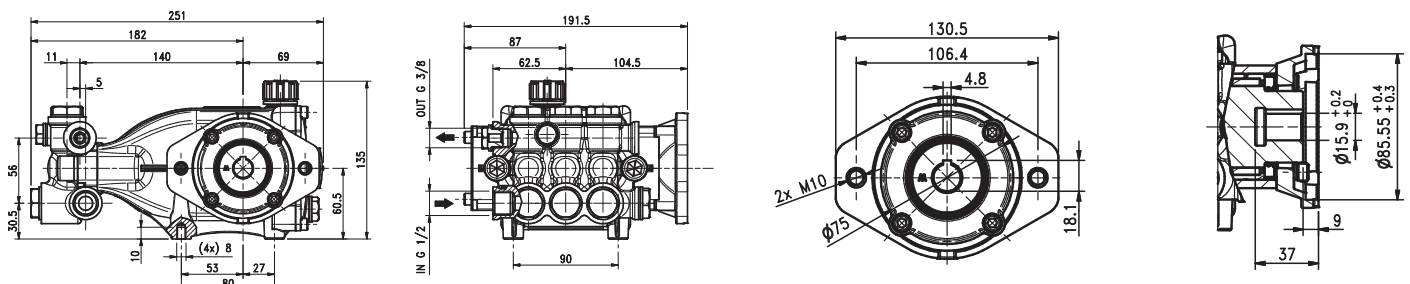
- Designed and engineered exclusively for hydraulic motor pumps.
- Five year limited warranty.
- NEW** • Forged brass manifold with FEA computer enhanced design to increase strength in critical areas.
- NEW** • Die cast aluminum crackcase with extended piston rod guides for long seal life.
- NEW** • Die cast aluminum connecting rods with extended length and size.
- NEW** • Mirror finish ceramic plungers with increased thickness to resist thermal shock and corrosion.
- Industrial duty ball bearings.
- Stainless steel inlet and discharge valve assemblies.
- Forged valve caps with recessed O-rings to withstand leakage at high pressures.
- Dacromet® coated manifold bolts for extra corrosion resistance.
- U-Seal packing assembly for long life and temperature resistance.
- Flanged for direct coupling to a 5/8" straight keyed shaft, 2 bolt flanged hydraulic motor



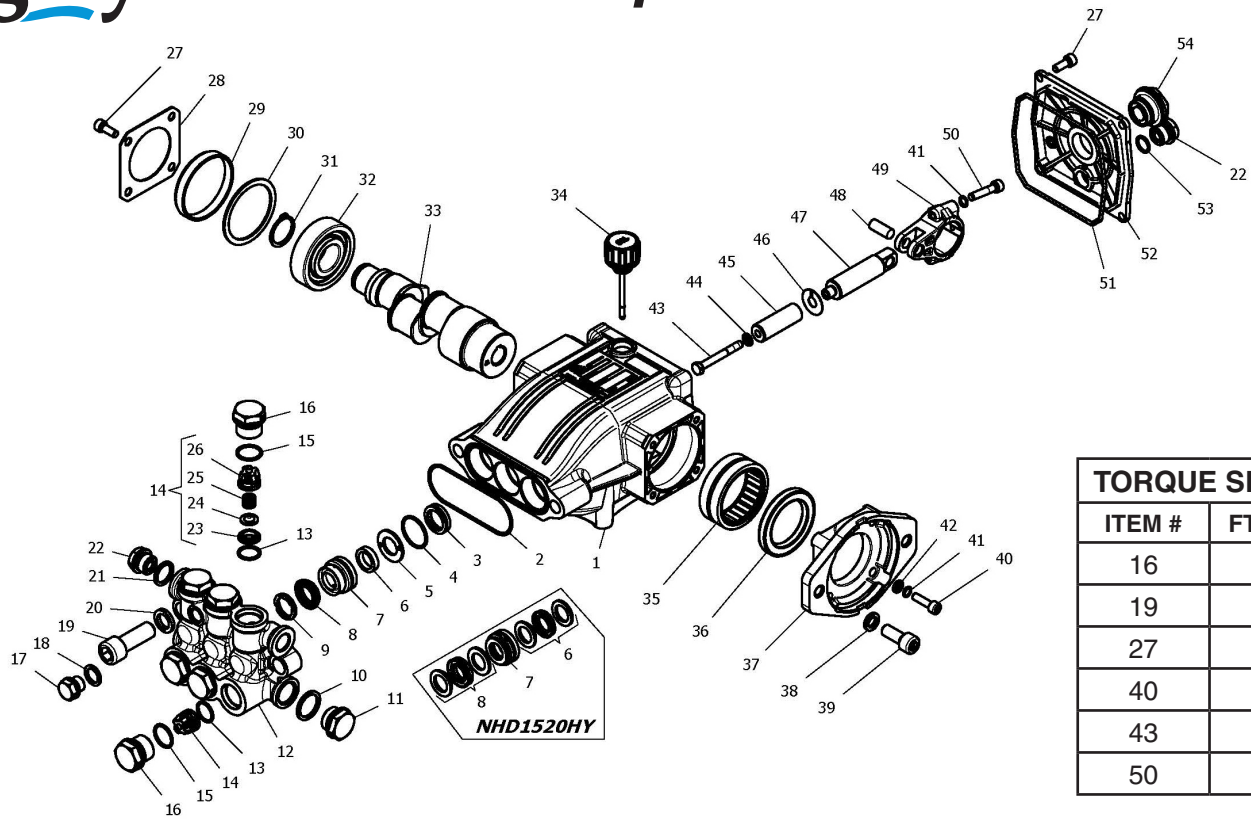
## SPECIFICATIONS

PUMP MODEL	HY1515	HY1520
Part Number	8.754-984.0	8.754-985.0
Maximum Volume (GPM)	4.0	4.0
Max. Discharge Pressure (PSI)	2000	3000
Maximum Pump Speed	1450	
Maximum Inlet Pressure	125 PSI	
Maximum Inlet Vacuum	9 ft water (7.9 in. HG)	
Bore	16 mm	
Stroke	17.2 mm	
Crankcase Oil Capacity	13.5 oz	
Maximum Fluid Temperature	185° F	
Inlet Port Thread	1/2" BSP	
Discharge Port Thread	3/8" BSP	
Shaft Diameter x Shaft Length	5/8" Hollow	
Weight	16.75 Lbs	
Dimensions (L x W x H)	9.88 x 8.11 x 5.31 in.	

## DIMENSIONS



# Legacy HY Series Pump



## PARTS LIST

ITEM	PART NO.	DESCRIPTION	QTY	ITEM	PART NO.	DESCRIPTION	QTY	ITEM	PART NO.	DESCRIPTION	QTY
1	8.754-841.0	Crankcase	1	18	8.718-973.0	Washer, Copper 1/4	1	36	8.754-826.0	Seal, Crankshaft	1
2*	8.754-846.0	O'ring Ø1.78 X 72.75	1	19	8.754-854.0	Bolt, Manifold M14 X 40	2	37	8.754-977.0	Flange, Hydraulic Motor	1
3*	See Kit Below	Plunger Oil Seal	3	20	8.754-850.0	Washer, Lock	2	38	9.802-890.0	Washer	4
4*	See Kit Below	O'ring Ø1.78 X 26.7	3	21	9.803-198.0	Washer, Copper G3/8	1	39	8.754-978.0	Screw, M10 X 25	2
5*	See Kit Below	Washer, Pressure Ring 16mm	3	22	8.707-262.0	Plug, Brass G3/8	1	40	8.754-224.0	Screw, M6 X 22	4
6*	See Kit Below	U-Seal, 16mm	3	23*	See Kit Below	Valve Seat	6	41	9.803-218.0	Washer	10
7*	See Kit Below	Pressure Ring, 16mm	3	24*	See Kit Below	Valve Plate	6	42	9.803-210.0	Washer	4
8*	See Kit Below	U-Seal, 16mm	3	25*	See Kit Below	Valve Spring	6	43*	9.803-218.0	Bolt, Plunger	3
9*	See Kit Below	Support Ring 16mm	3	26*	See Kit Below	Valve Cage	6	44*	8.754-092.0	Spacer, Copper	3
10	9.803-199.0	Washer, Copper G1/2	1	27	9.802-939.0	Screw, M6 X 16	12	45*	8.754-848.0	Plunger, 16mm	3
11	9.802-926.0	Plug, Brass G1/2	1	28	8.717-137.0	Bearing Cover	2	46*	9.803-962.0	Spacer, Copper	3
12	8.754-852.0	Manifold	1	29	9.803-954.0	Bearing Seal	1	47	8.754-827.0	Plunger Rod	3
13*	8.717-233.0	O'ring Ø1.78 X 15.6	6	30	8.754-843.0	Seal Spacer, Crankshaft	1	48	9.803-965.0	Connecting Rod Pin	3
14*	See Kit Below	Valve Assembly	6	31	9.802-914.0	Snap Ring, 25mm	1	49	9.803-966.0	Connecting Rod	3
15*	9.803-948.0	O'ring Ø1.78 X 18.77	6	32	9.803-955.0	Bearing, Ball	1	50	8.933-020.0	Screw, Connecting Rod	6
16	9.803-949.0	Valve Plug	6	33	8.754-976.0	Shaft, 5/8" Hollow	1	51	8.754-847.0	O'ring Ø2.62 X 111.62	1
17	8.754-851.0	Plug, G1/4	1	34	8.754-219.0	Oil Dipstick	1	52	8.754-842.0	Cover, Crankcase	1
				35	8.754-840.0	Bearing, Needle	1	53	9.803-906.0	O'ring Ø1.78 X 14	1
								54	9.803-202.0	Sight Glass, G3/4	1

## REPAIR KITS

KIT NUMBERS	8.754-979.0	8.754-980.0	8.754-981.0	8.754-982.0	8.754-983.0	8.754-577.0	9.803-937.0
KIT DESCRIPTION	Plunger Seals HY1515	Plunger Seals HY1520	Seal Packing HY1515	Seal Packing HY1520	Plunger 16mm	Complete Valve	Plunger Oil Seals
ITEM NUMBERS INCLUDED	4, 6, 8, 9	4, 6, 8	2, 4, 5, 6, 7, 8, 9	2, 4, 5, 6, 7, 8	43, 44, 45, 46	13, 14, 15	3
NO. OF CYLINDERS KIT WILL SERVICE	3	3	1	1	1	6	3