

## **Spare parts list**

(9.139-187.0) Spare parts list G 2650 OH

## Table of contents

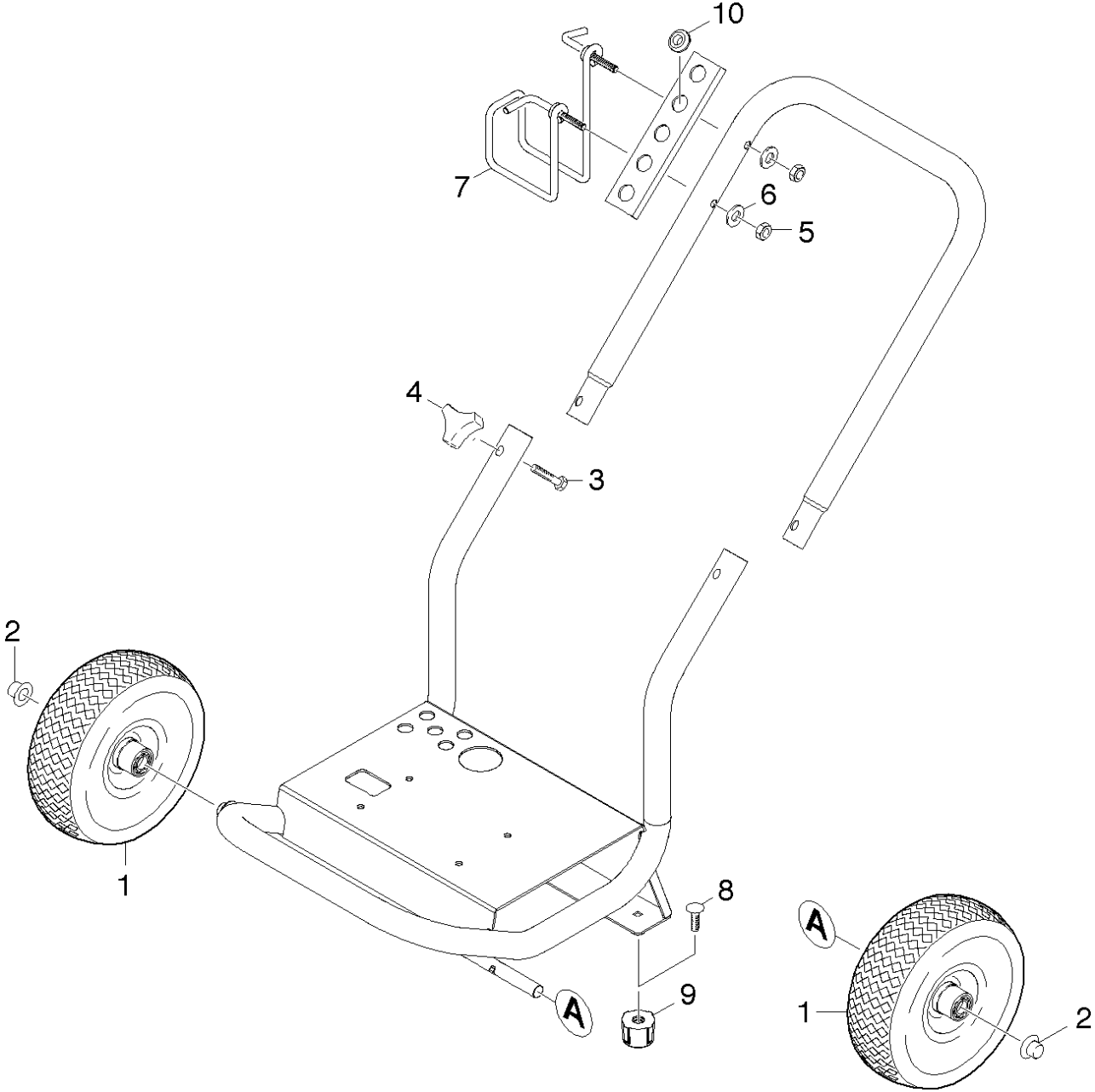
---

200 Spare parts list G 2650 OH (9.139-187.0)	3
10 Frame	4
20 Pump set	6
21 Valves	7
1 Nozzle insert (4.769-035.0)	9
4 Spare part set chemistry (2.883-862.0)	11
6 Valve (3 Stück) (2.884-916.0)	13
8 Throttle complete (4.030-109.0)	15
9 Joining piece only for replacement (4.030-125.0)	16
10 Drain plug only for replacement (4.132-007.0)	18
12 Suction valve complete (4.580-330.0)	20
22 Piston	21
1 Thermovalve 60 GRD (4.580-359.0)	23
4 Piston complete (4.553-173.0)	25
30 Motor	26
31 Motor	27
32 Transmission	29
40 Accessories	31

200 Spare parts list G 2650 OH (9.139-187.0)

---

<b>POS</b>	<b>Description</b>	<b>Quantity</b>	<b>Unit</b>
10	Frame	1.000	ST
20	Pump set	1.000	ST
30	Motor	1.000	ST
40	Accessories	1.000	ST



## 10 Frame

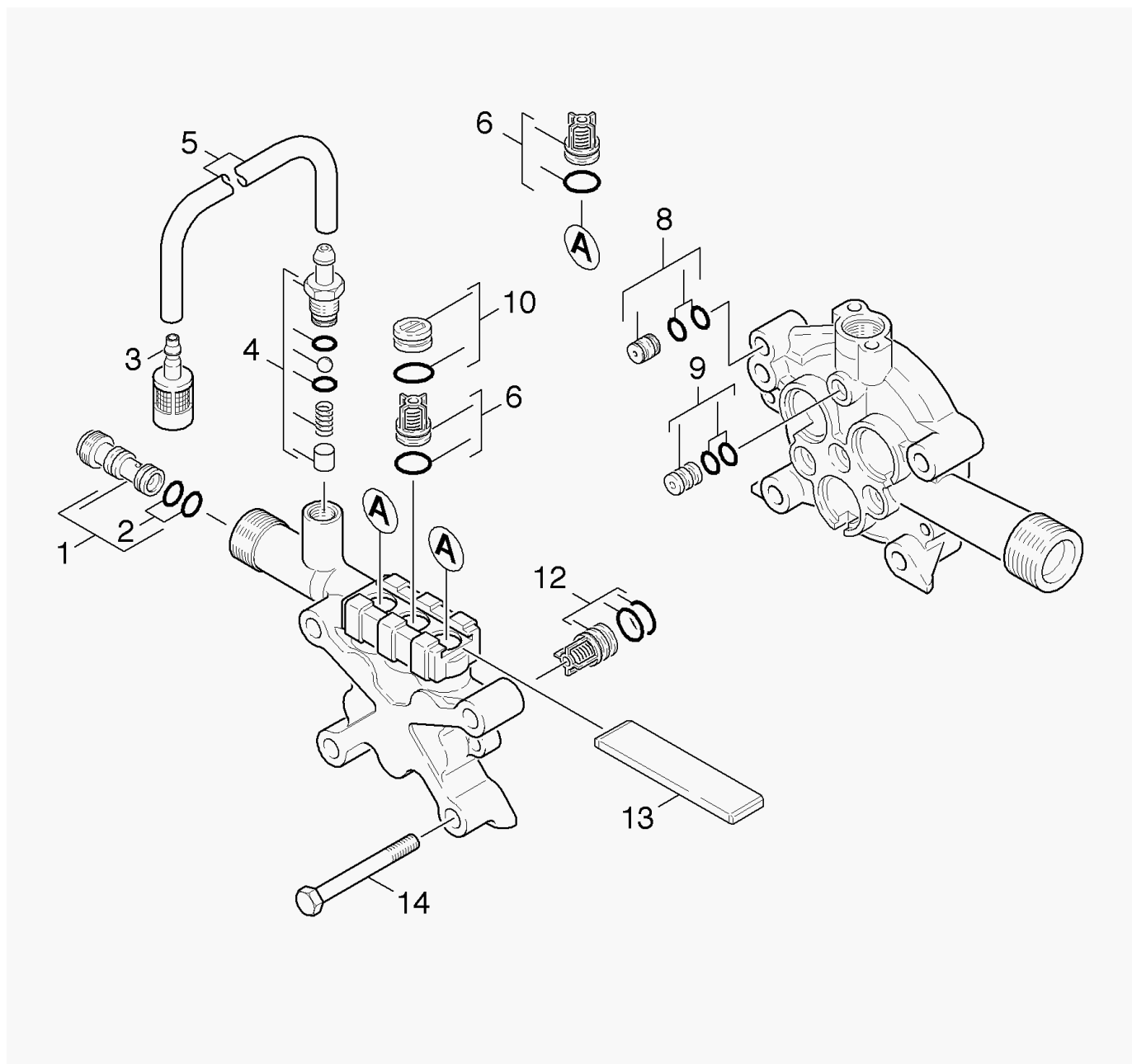
---

POS	Article no.	Description	Quantity	Unit
1	9.189-007.0	WHEEL 10" X 3.50" PNEU	2.000	ST
2	9.182-506.0	CAP BLACK PLASTIC,5/8"FASTENER	2.000	ST
3	9.196-307.0	1/4-20 x 1-1/2 GR 2 HEX BOLT ZINC	2.000	ST
4	9.182-353.0	KNOB 1/4"-20,3PT. STAR	2.000	ST
5	5.310-105.0	5/16"-18 FINISHED HEX NUT ZINC	2.000	ST
6	9.198-003.0	5/16 INTERNAL L/W .332 ID X .620 OD ZINC	2.000	ST
7	9.142-014.0	HANGER RT SIDE	1.000	ST
8	9.196-308.0	5/16-18 X 1/2 CARRIAGE BOLT A307 BLK	2.000	ST
9	9.183-405.0	RUBBER DAMPENER 5/16"-18FEMALE 2001	2.000	ST
10	9.177-204.0	Sleeve rubber	5.000	ST

20 Pump set

---

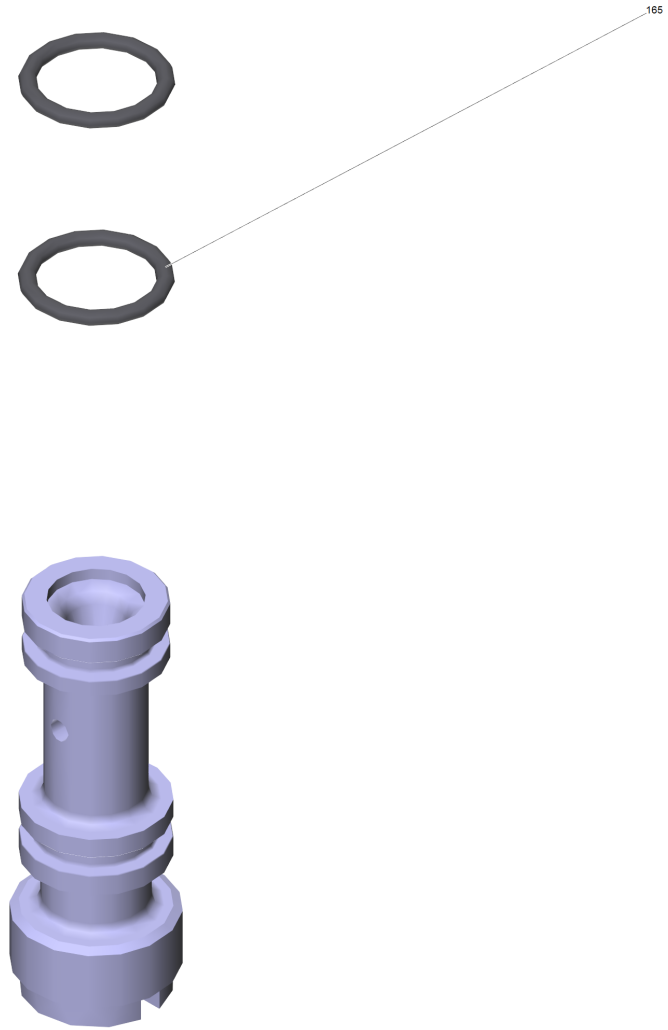
<b>POS</b>	<b>Description</b>	<b>Quantity</b>	<b>Unit</b>
21	Valves	1.000	ST
22	Piston	1.000	ST



## 21 Valves

POS	Article no.	Description	Quantity	Unit	Foot note text
1	4.769-035.0	Nozzle insert	1.000	ST	
2	6.362-384.0	O-Ring seal 9x1,5 - NBR 70	2.000	ST	
3	4.862-032.0	Filter chemistry regulation	1.000	ST	
4	2.883-862.0	Spare part set chemistry	1.000	ST	
5	6.388-216.0	Hose DN 5	1.000	M	TO ORDER AS CUT GOODS
6	2.884-916.0	Valve (3 Stück)	1.000	ST	
8	4.030-109.0	Throttle complete	1.000	ST	
9	4.030-125.0	Joining piece only for replacement	1.000	ST	
10	4.132-007.0	Drain plug only for replacement	3.000	ST	
12	4.580-330.0	Suction valve complete	3.000	ST	
13	5.003-062.0	Plate	1.000	ST	
14	7.304-097.0	Hexagonal head screw M8x70-8.8-A2E ISO	4.000	ST	

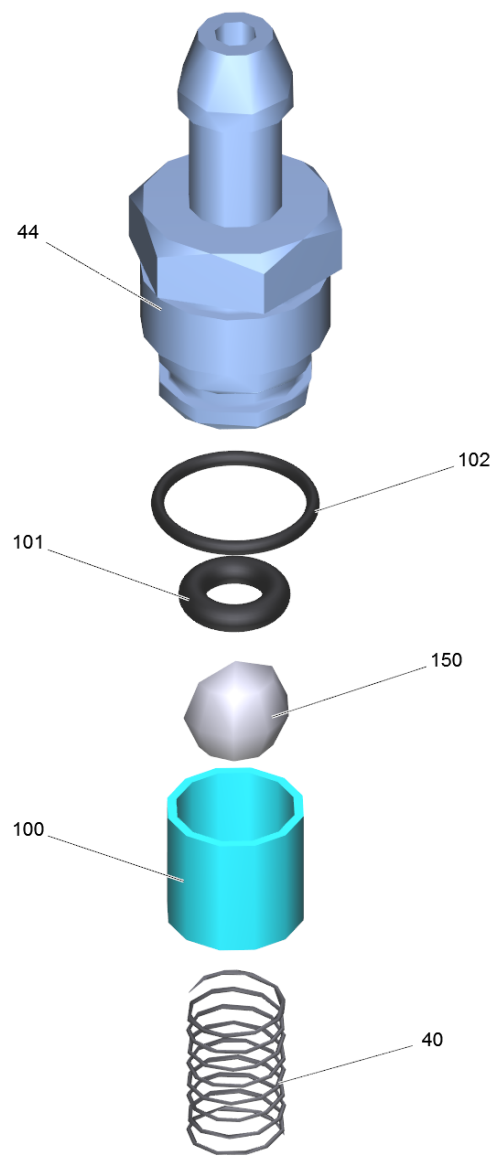




1 Nozzle insert (4.769-035.0)

---

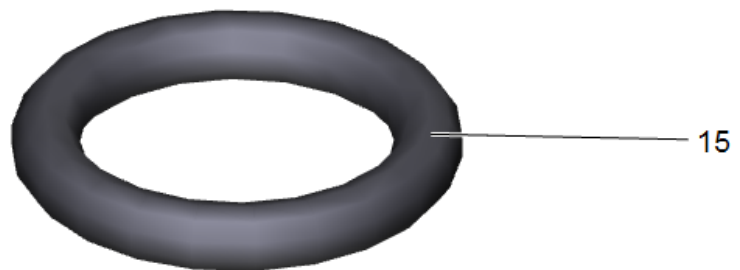
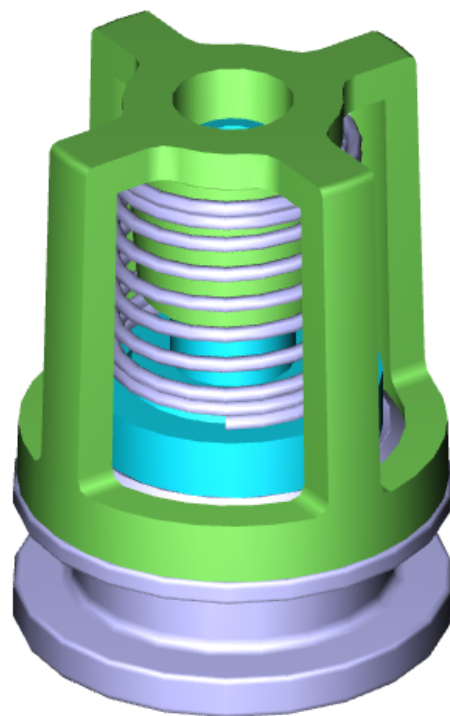
<b>POS</b>	<b>Article no.</b>	<b>Description</b>	<b>Quantity</b>	<b>Unit</b>
165	6.362-384.0	O-Ring seal 9x1,5 - NBR 70	2.000	ST



#### 4 Spare part set chemistry (2.883-862.0)

---

<b>POS</b>	<b>Article no.</b>	<b>Description</b>	<b>Quantity</b>	<b>Unit</b>
40	5.332-258.0	Helical spring	1.000	ST
44	5.443-448.0	Nipple chemistry	1.000	ST
100	5.110-714.0	Sleeve	1.000	ST
101	6.363-597.0	O-Ring seal 5,28 x 1,78	1.000	ST
102	6.362-451.0	O-Ring seal 8,0 x 1,0	1.000	ST
110	6.376-036.0	Label spare parts neutrally 65x55 MM	1.000	ZST
130	6.590-355.0	Bag PE 130x140 mm neutral	1.000	ST
150	7.401-908.0	Sphere 7 G300 -1.4301 DIN 5401	1.000	ST



6 Valve (3 Stück) (2.884-916.0)

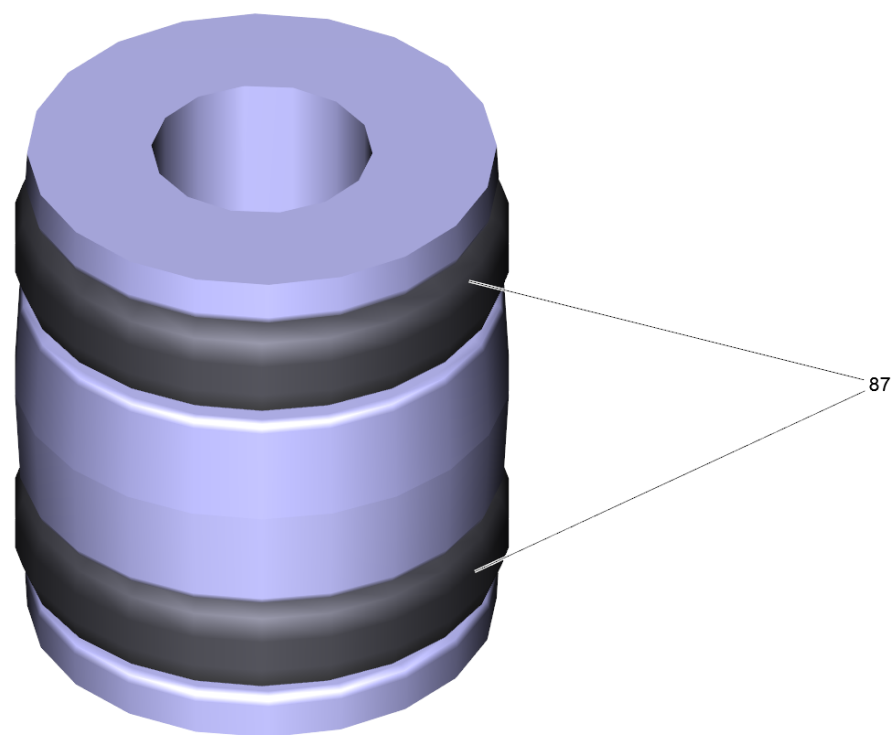
---

<b>POS</b>	<b>Article no.</b>	<b>Description</b>	<b>Quantity</b>	<b>Unit</b>
15	6.362-077.0	O-Ring seal 10 x 2,2 NBR 70	1.000	ST

8 Throttle complete (4.030-109.0)

---

<b>POS</b>	<b>Article no.</b>	<b>Description</b>	<b>Quantity</b>	<b>Unit</b>
87	6.362-176.0	O-Ring seal 6,07x1,78	2.000	ST
120	6.288-028.0	Silicon grease	1.000	ZST

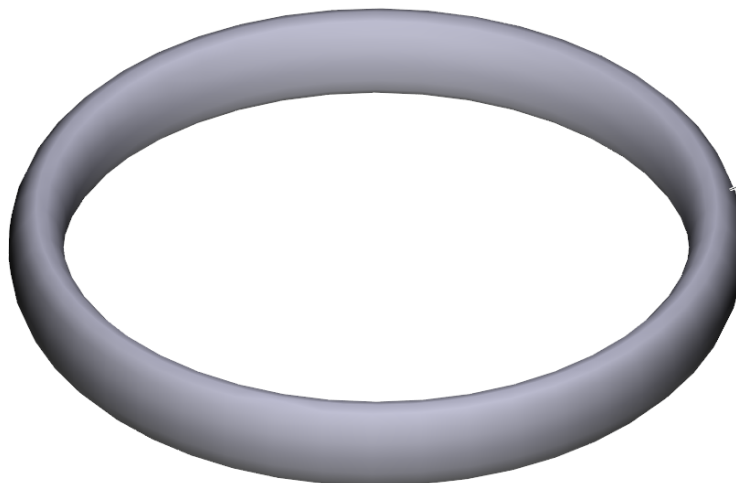
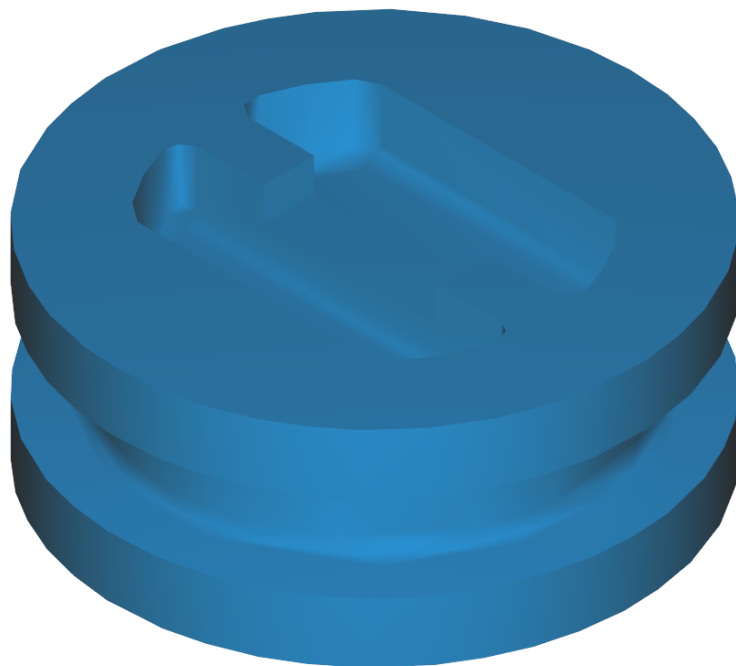




9 Joining piece only for replacement (4.030-125.0)

---

<b>POS</b>	<b>Article no.</b>	<b>Description</b>	<b>Quantity</b>	<b>Unit</b>
87	6.362-176.0	O-Ring seal 6,07x1,78	2.000	ST



18

10 Drain plug only for replacement (4.132-007.0)

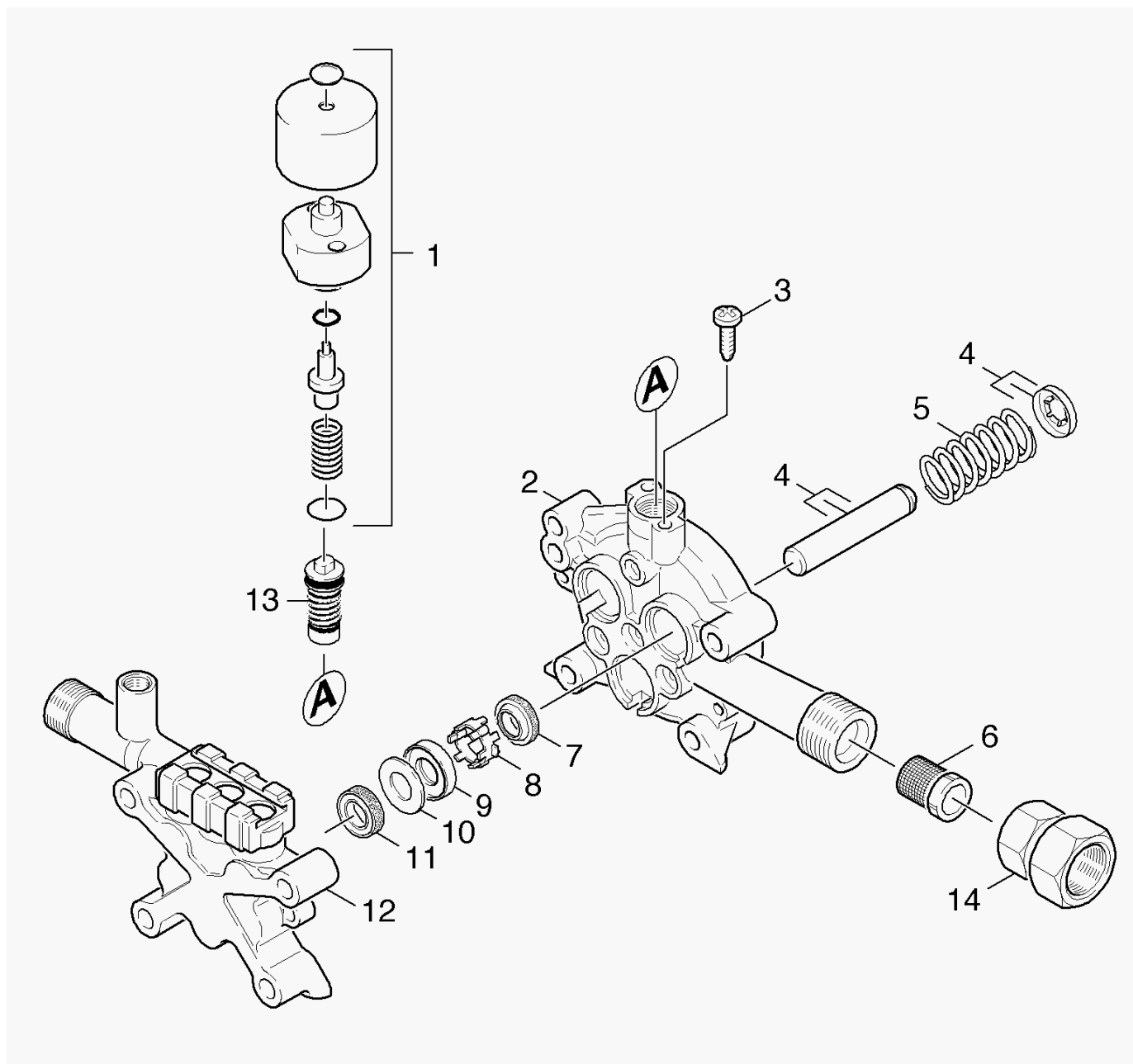
---

<b>POS</b>	<b>Article no.</b>	<b>Description</b>	<b>Quantity</b>	<b>Unit</b>
18	6.362-458.0	O-Ring seal 11,0x2,0-NBR 70	1.000	ST

12 Suction valve complete (4.580-330.0)

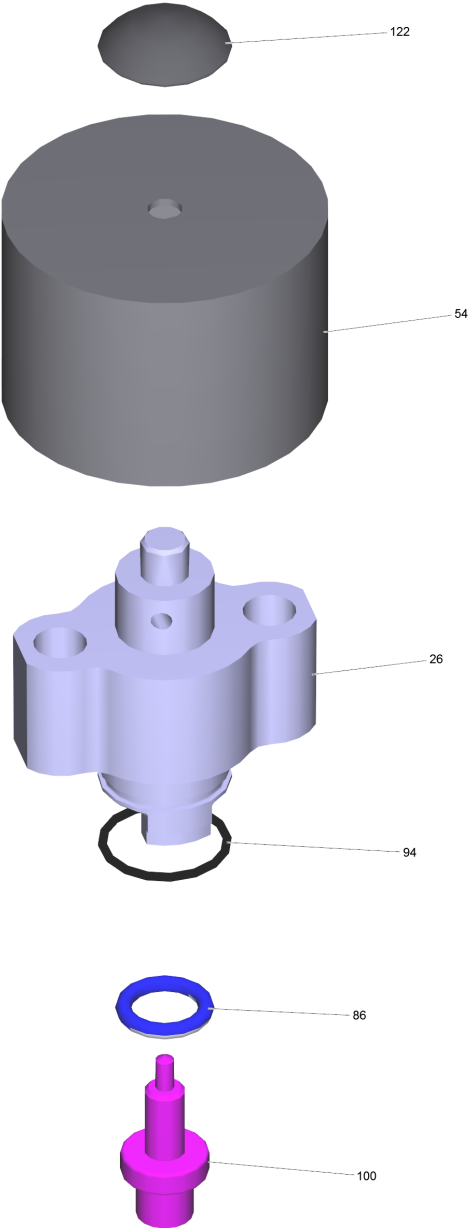
---

<b>POS</b>	<b>Article no.</b>	<b>Description</b>	<b>Quantity</b>	<b>Unit</b>
86	6.363-614.0	O-Ring seal 9 x 2 -NBR90	2.000	ST
120	6.288-028.0	Silicon grease	1.000	ZST



## 22 Piston

POS	Article no.	Description	Quantity	Unit
1	4.580-359.0	Therموالve 60 GRD	1.000	ST
2	5.061-082.0	Piston guidance	1.000	ST
3	7.303-066.0	Screw M6x30 -St-R3R (In6Rd)	2.000	ST
4	4.553-173.0	Piston complete	3.000	ST
5	5.332-391.0	Pressure spring	3.000	ST
6	6.414-252.0	Strainer	1.000	ST
7	6.365-393.0	Oil sealing 12x20x4/6	3.000	ST
8	5.110-707.0	Sleeve	3.000	ST
9	5.115-720.0	Washer	3.000	ST
10	5.115-721.0	Washer	3.000	ST
11	6.365-394.0	Grooved ring 12x20x5,3/2,8	3.000	ST
12	5.550-294.0	Cylinder head	1.000	ST
13	4.591-040.0	SPILL VALVE COMPLETE	1.000	ST
14	9.154-009.0	Coupling element 3/4"	1.000	ST



## 1 Thermovalve 60 GRD (4.580-359.0)

---

<b>POS</b>	<b>Article no.</b>	<b>Description</b>	<b>Quantity</b>	<b>Unit</b>
26	5.587-196.0	Valve housing	1.000	ST
54	5.394-522.0	Protecting cap black	1.000	ST
86	7.362-507.0	O-Ring seal 8x2-NBR 90 DIN 3770	1.000	ST
94	6.362-553.0	O-Ring seal 14,0 X 1,1	1.000	ST
100	6.413-403.0	Thermovalve 60°	1.000	ST
120	6.288-028.0	Silicon grease	1.000	ZST
122	6.343-129.0	Lock washer	1.000	ST



4 Piston complete (4.553-173.0)

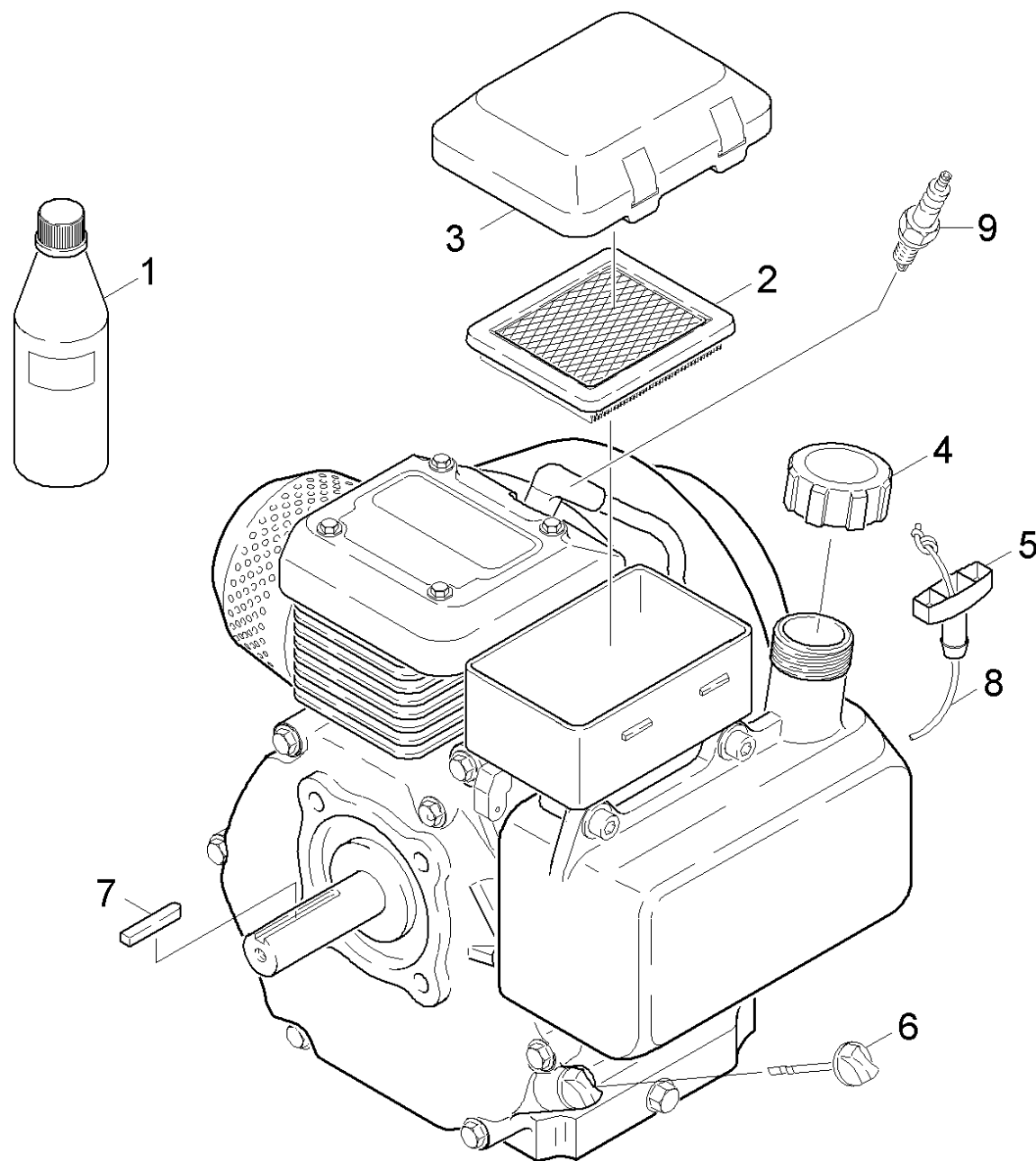
---

<b>POS</b>	<b>Article no.</b>	<b>Description</b>	<b>Quantity</b>	<b>Unit</b>
32	5.115-916.0	Lock washer piston	1.000	ST

30 Motor

---

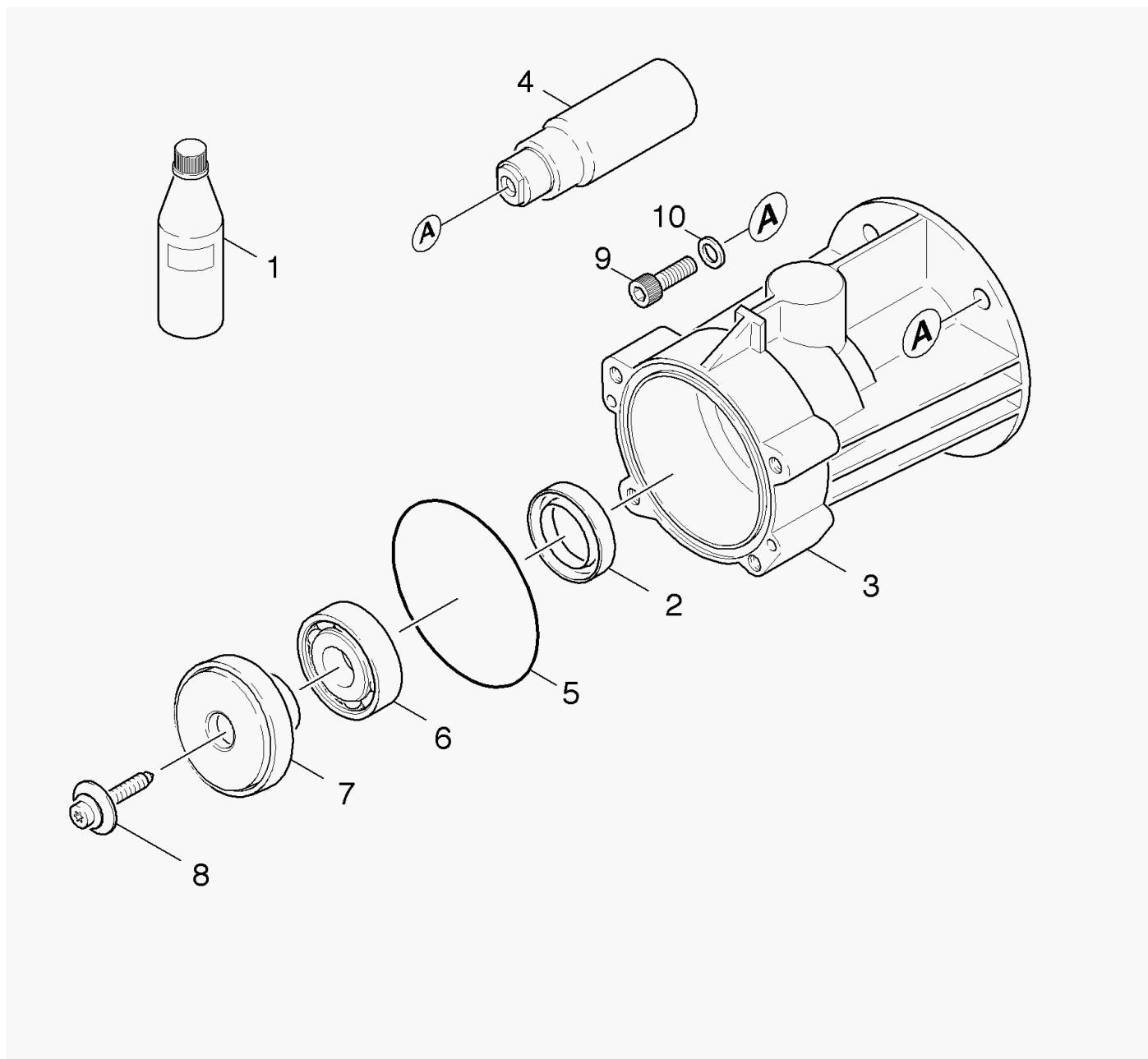
<b>POS</b>	<b>Description</b>	<b>Quantity</b>	<b>Unit</b>
31	Motor	1.000	ST
32	Transmission	1.000	ST



## 31 Motor

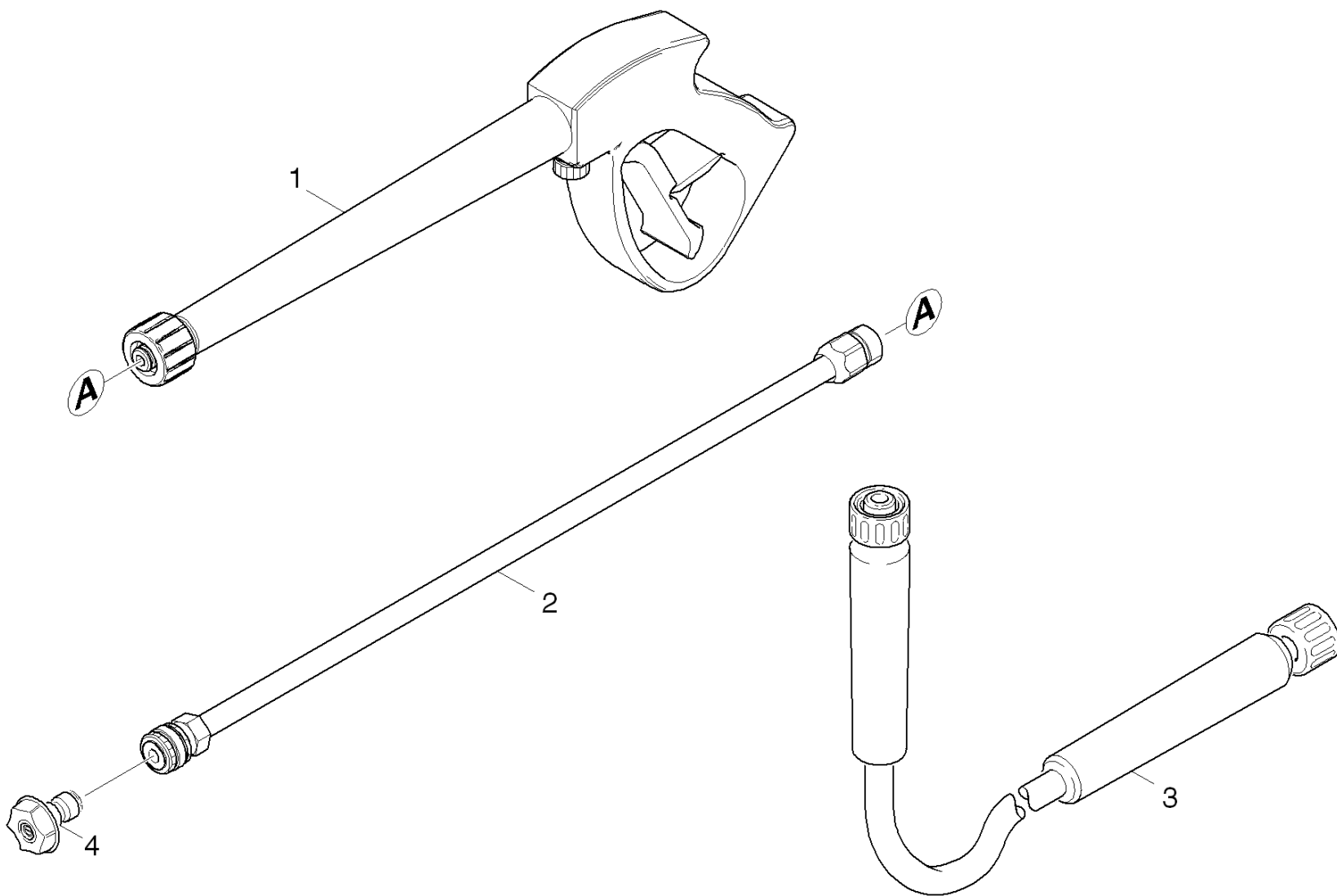
---

POS	Article no.	Description	Quantity	Unit	Foot note text
1	6.288-050.0	Engine oil 1L	1.000	ST	MOTOR 1,1L
2	6.491-726.0	Air filter insert	1.000	ST	
3	9.194-543.0	Cover	1.000	ST	
4	6.491-723.0	Cap of a tank	1.000	ST	
5	6.491-503.0	Handhold	1.000	ST	
6	9.194-531.0	OIL DIP ROD	1.000	ST	
7	9.194-883.0	Shaft key 3/16"SQx1.5"	1.000	ST	
8	6.491-546.0	Pull cord	1.000	ST	
9	6.491-550.0	Ignition plug BPR6ES	1.000	ST	



## 32 Transmission

POS	Article no.	Description	Quantity	Unit	Foot note text
1	6.288-050.0	Engine oil 1L	1.000	ST	
2	7.367-018.0	Radial shaft seal ring A26x37x7 -NBR DI	1.000	ST	
3	5.093-106.0	Housing horizontal	1.000	ST	
4	5.471-088.0	Coupling element horizontal	1.000	ST	
5	6.362-471.0	O-Ring seal 80,0 X 3,0 -NBR 70	1.000	ST	
6	6.401-427.0	Angular contact ball bearing	1.000	ST	
7	6.401-289.0	Wobble plate	1.000	ST	
8	6.304-048.0	Cylinder head screw M6x19	1.000	ST	
9	8.756-708.0	SCREW 5/16"-24 X 1" SCH, SS	4.000	ST	ARTICLE ONLY AVAILABLE AT KNA
10	5.115-656.0	Washer	4.000	ST	



## 40 Accessories

---

<b>POS</b>	<b>Article no.</b>	<b>Description</b>	<b>Quantity</b>	<b>Unit</b>
1	9.112-020.0	3200psi MV GUN KAERCHER	1.000	ST
2	9.112-533.0	Lance-AL Quick Connect-Male 3000 psi	1.000	ST
3	8.753-423.0	HOSE, HP DN6 25FT, 3600PSI M22	1.000	ST
4	9.104-016.0	QUICK CONNECT NOZZLE KIT (0325)	1.000	ST