

## FEATURES

- Designed and engineered for pressure washers.
- Seven year limited warranty.
- Forged brass manifold with an exclusive lifetime warranty.
- Large capacity, die-cast, anodized aluminum oil-bath crankcase with cooling fins.
- Over-sized connecting rods and crankshaft for maximum life.
- Heavy-duty dual raceway crankcase bearing.
- High load capacity flange needle bearing.
- Solid ceramic plungers with mirror finish and corrosion resistance.
- Long life seals.
- Stainless steel inlet and discharge valve assemblies.
- Forged valve caps with recessed O-rings to withstand high pressures.
- Dacromet® coated manifold bolts for superior corrosion resistance.

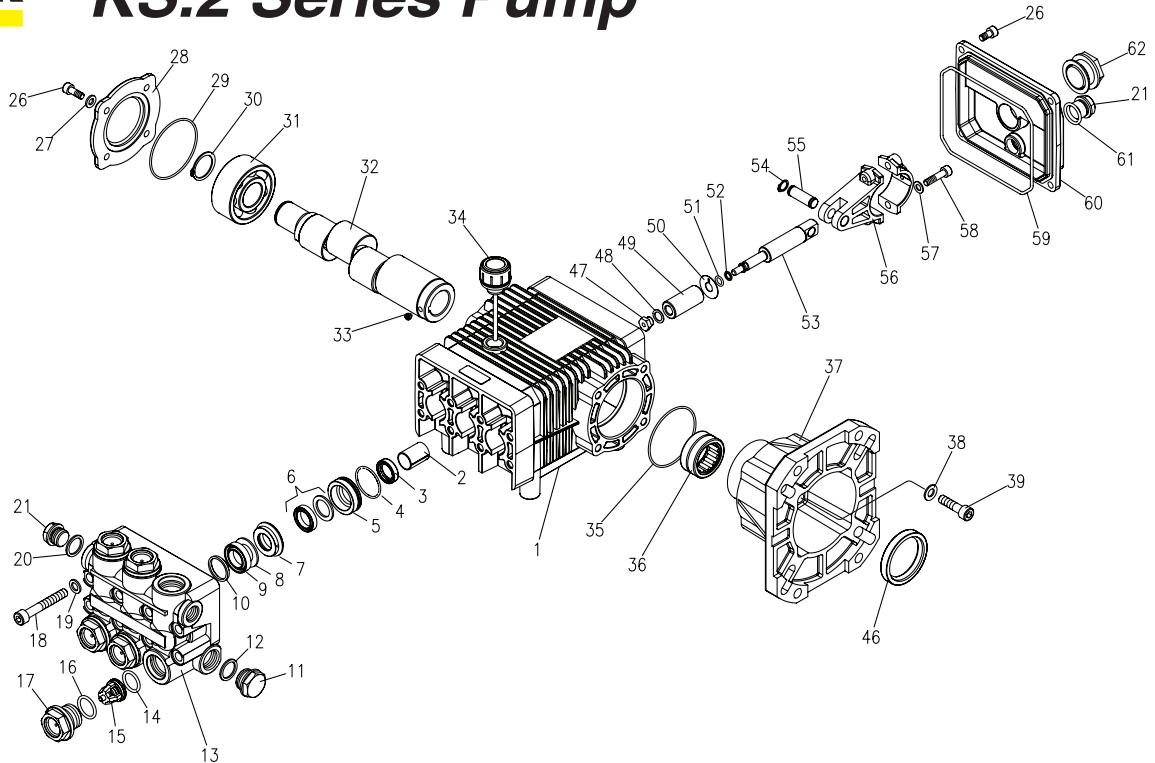


## SPECIFICATIONS

PUMP MODEL	KS3040G.2	KS3540G.2	KS4040G.2	KS5030G.2
Maximum Volume (GPM)	3	3.5	4	5
Max. Discharge Pressure (PSI)	4000	4000	4000	3000
Maximum Pump Speed	3400	3400	3400	3400
Maximum Inlet Pressure	125 psi			
Maximum Inlet Vacuum	Flooded			
Bore	15 mm	15 mm	15 mm	15 mm
Stroke	7.7 mm	9 mm	10.3 mm	12 mm
Crankcase Oil Capacity	23.3 oz.			
Maximum Fluid Temperature	185°F			
Inlet Port Thread	1/2-14 BSPP-F			
Discharge Port Thread	3/8-19 BSPP-F			
Shaft Diameter	1" Hollow			
Weight	24.5 lbs.			
Dimensions	11 x 10.2 x 5.7 in.			

9.841-643.0 KS3040G.2  
 9.802-349.0 KS3540G.2  
 9.802-350.0 KS4040G.2  
 9.803-409.0 KS5030G.2

TORQUE SPECS	
Item #	Ft.-lbs
17	75
18	30
26	7.6
39	10
47	7
58	13



## PARTS LIST

ITEM	PART NO.	DESCRIPTION	QTY	ITEM	PART NO.	DESCRIPTION	QTY	ITEM	PART NO.	DESCRIPTION	QTY
1	8.717-129.0	Crankcase	1	26	9.802-939.0	Hexagonal Screw	9	48*	See Kit Below	Washer, Copper, 9.2 x 13.5	3
2	9.803-196.0	Plunger Guide	3	27	9.803-210.0	Washer	4	49*	See Kit Below	Plunger, 15mm	3
3*	See Kit Below	Plunger Oil Seal	3	28	9.803-184.0	Closed Bearing Housing	1	50*	See Kit Below	Copper Spacer	3
4*	See Kit Below	O-Ring Ø1.78 x 31.47	3	29	8.717-225.0	O-Ring Ø 2.62 x61.6	1	51*	See Kit Below	O-Ring Ø1.78x5.28	3
5*	See Kit Below	Pressure Ring	3	30	9.802-914.0	Snap Ring	1	52*	See Kit Below	Teflon Ring	3
6*	See Kit Below	U-Seal, 15mm	3	31	9.803-168.0	Double Row Ball Bearing	1	53	9.803-145.0	Plunger Rod	3
7*	See Kit Below	Intermed. Ring 15mm	3	32	9.803-150.0	Crankshaft (KS3040G.2)	1	54	9.802-913.0	Snap Ring	6
8*	See Kit Below	Back-up Ring	3		9.803-151.0	Crankshaft (KS3540G.2)	1	55	9.802-916.0	Connecting Rod Pin	3
9*	See Kit Below	U-Seal, 15mm	3		9.803-152.0	Crankshaft (KS4040G.2)	1	56	9.803-158.0	Connecting Rod	3
10*	See Kit Below	Support Ring 15mm	3		9.803-153.0	Crankshaft (KS5030G.2)	1	57	9.803-218.0	Spring Washer	6
11	9.802-926.0	Brass Plug, 1/2"	1	33	9.802-945.0	Set Screw	1	58	9.803-238.0	Connecting Rod Screw	6
12	9.803-199.0	Copper Washer 1/2"	1	34	9.802-921.0	Oil Dip Stick	1	59	8.933-016.0	O-Ring 2.62 x 126.67	1
13	9.802-932.0	Manifold Housing	1	35	9.804-581.0	O-Ring Ø 3.53 x 55.56	1	60	8.717-145.0	Crankcase Cover	1
14*	9.803-191.0	O-Ring Ø2.62 x 17.13	6	36	9.803-161.0	Needle Roller Bearing	1	61	9.803-197.0	O-Ring, Ø 1.78 x 14	1
15*	See Kit Below	Valve Assembly	6	37	9.803-183.0	Engine Flange	1	62	9.803-202.0	Sight Glass, G3/4	1
16*	9.803-193.0	O-Ring Ø2.62 x 20.29	6	38	9.803-221.0	Spring Washer	4				
17	9.802-928.0	Valve Plug	6	39	9.803-240.0	Flange Screw	4				
18	9.802-938.0	Manifold Stud Bolt	8	44	9.803-216.0	Washer	4				
19	9.802-884.0	Washer	8	45	9.803-217.0	Spring Washer	4				
20	9.803-198.0	Copper Washer 3/8"	1	46	9.803-142.0	Crankshaft Seal	1				
21	9.802-925.0	Brass Plug 3/8"	2	47*	See Kit Below	Plunger Nut	3				

\* Part available in kit (See below)

## REPAIR KITS

REPAIR KIT NUMBER	8.725-358.0	8.725-359.0	8.933-023.0	9.802-603.0	9.802-609.0
KIT DESCRIPTION	Plunger U-Seal 15mm	Complete U-Seal Packing 15mm	Plunger 15mm	Complete Valve	Plunger Oil Seals
ITEM NUMBERS INCLUDED	4, 6, 8, 9, 10	4, 5, 6, 7, 8, 9, 10	47, 48, 49, 50, 51, 52	14, 15, 16	3
NUMBER OF CYLINDERS KIT WILL SERVICE	3	1	1	6	3