

Ersatzteilliste
Spare Parts List
Liste des pieces de rechange

HD 880 B

1.851-672.0 USA Honda / Zoll

GRUPPE 1: EINZELIEILE	A1 - C1
GRUPPE 2: PUMPENSATZ	A2 - M2
GRUPPE 3: MOTOR	A3 - E3
GRUPPE 4: ZUBEHOER	A4 - G4
GROUP 1: PIECE PARTS	A1 - C1
GROUP 2: PUMP SET	A2 - M2
GROUP 3: MOTOR	A3 - E3
GROUP 4: ACCESSORIES	A4 - G4
GRUPE 1: PIECES CONSTITUANES	A1 - C1
GRUPE 2: JEU (ENSEMBLE) DE POMPE	A2 - M2
GRUPE 3: MOTEUR	A3 - E3
GRUPE 4: ACCESSORIES	A4 - G4

KARCHER

A1

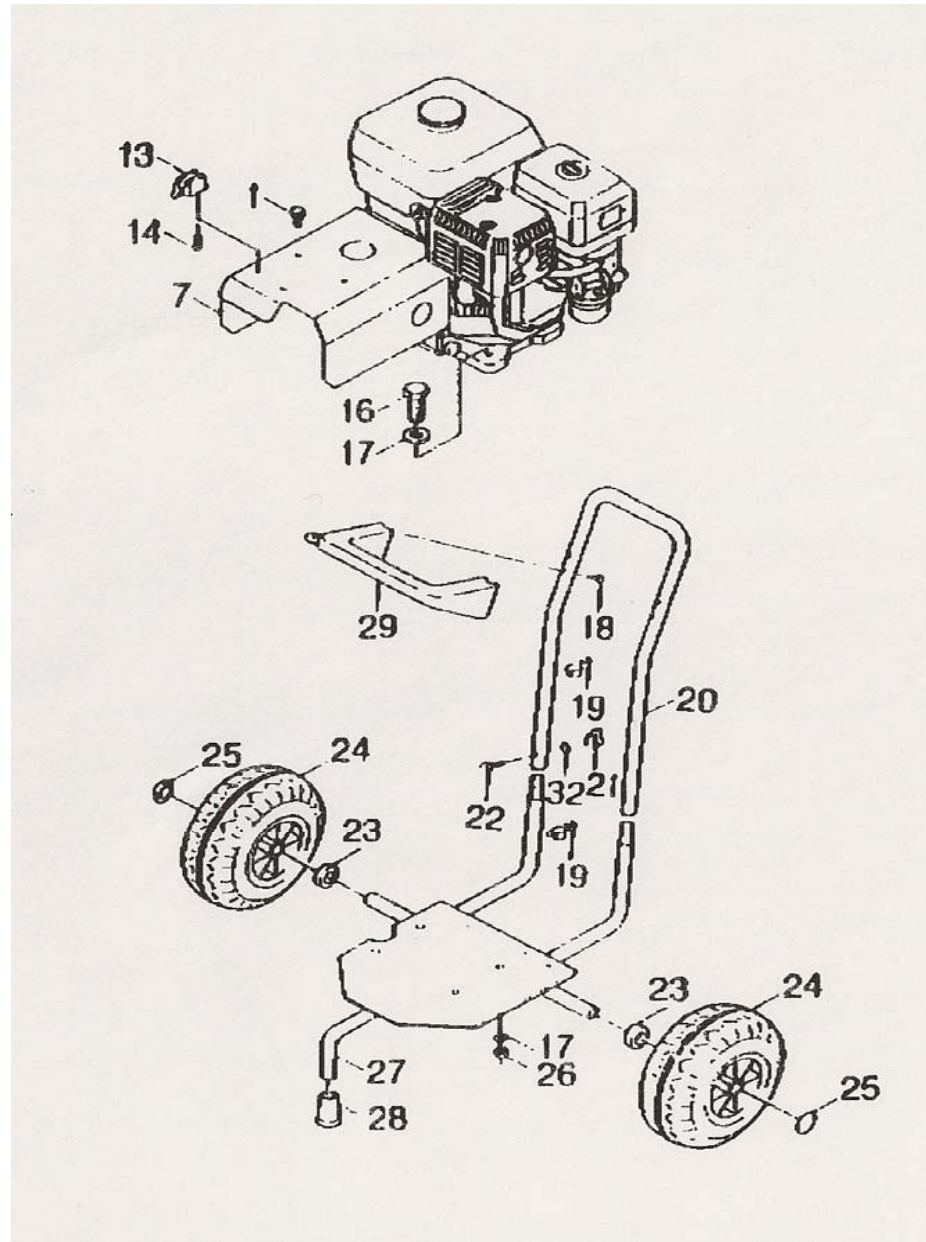
HD 880 B

Gruppe 1: Einzelteile
Group 1: Piece Parts
Groupe 1: Pieces Constituanes

GRUPPE: 1.0 EINZELIEILE
GROUP: 1.0 PIECE PARTS
GRUPPE: 1.0 PIECES CONSTITUANTES

B1

HD 880 B



Symbolbeschreibung siehe M16 / symbol description see M16 / designation de système voir M16

GRUPPE: 1.0 EINZELIEILE
GROUP: 1.0 PIECE PARTS
GRUPPE: 1.0 PIECES CONSTITUANTES

C1

HD 880 B

POS.	BENNENNUNG	TEILE-NR.	STCK	POS.	BENNENNUNG	TEILE-NR.	STCK
ITM.	DESCRIPTION	PART-NO.	QTY.	ITM.	DESCRIPTION	PART-NO.	QTY.
POS.	DESIGNATION	NO.PIECE	NBR.	POS.	DESIGNATION	NO.PIECE	NBR.
1	Gewindefurchschraube M6x12 / Screw / Vis	6.303-134.0	3				
7	Haube / Cap / Capot	5.066-516.0	1				
13	Halter / Support / Appul	5.042-475.0	1				
14	Blechshr. F4.8x13 / Sheet Metal Screw / Vis A'tole	7.303-373.0	1				
16	6kt-Schr. M8x40 / Hex Head Cap Screw / Boulon a Six Pans	7.304-404.0	4				
17	Scheibe 8 / Washer / Rondelle	7.312-004.0	8				
18	Blechshr. F4.8x32 / Sheet Metal Screw / Vis A'tole	7.303-374.0	2				
19	Schlauchhalter / Support / Appol	6.389-508.0	2				
20	Griff / Handle / Polgnee	5.321-293.0	1				
21	Kreuzgriff M6 / Wing Nut M6 / Ecrow A Orellies M6	6.310-023.0	2				
22	6kt-Schr. M6x30 / Head Head Cap Screw / Boulon A Six Pans	7.304-387.0	2				
23	Huelse / Pod / Douille	5.110-378.0	2				
24	Rad D 260 / Wheel / Roue	6.435-100.0	2				
25	Schnellbefest 25 / Quick Fastener / Attache Rapide	6.343-137.0	2				
26	6kt-Multer M8 / Hexagon Nut / Ecrow Hexagonal	7.311-510.0	4				
27	Gestell / Frame / Chassis	4.210-052.0	1				
28	Gumikappe / Rubber Cap / Capuchon En Caoutch	6.368-006.0	1				
29	Halter / Support / Appul	5.042-215.0	1				
32	Facherschelbe A6.4 / Serrated Lock Washer / Rondelle a Eventall	7.312-232.0	2				

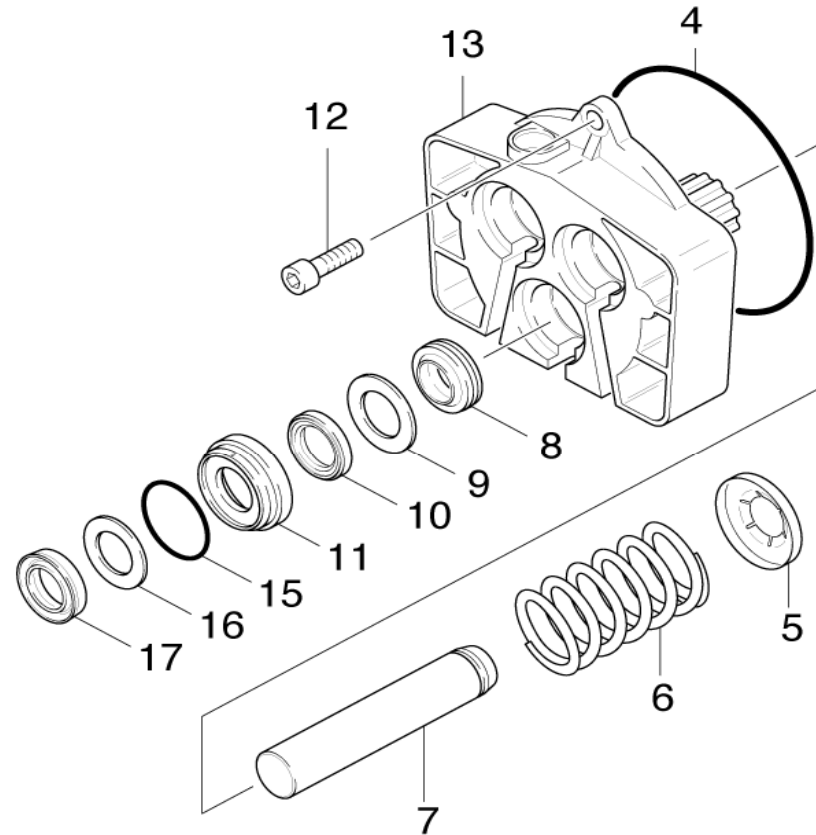
"=> XXXXXX" = bis Werknummer / up to serial No. / jusqu' au No. de fabr. / "xxxxxx =>" = ab Werknummer / from serial No. / a partir du No. de fabr. /

Gruppe	2: Pumpensatz
Group	2: Pump Set
Groupe	2: Jeu (Ensemble) De Pompe

GRUPPE: 2.1 KOLBEN
GROUP: 2.1 PISTON
GRUPPE: 2.1 PISTON

B2

HD 880 B



Symbolbeschreibung siehe M16 / symbol description see M16 / designation de systeme voir M16

GRUPPE: 2.1 KOLBEN
 GROUP: 2.1 PISTON
 GROUPE: 2.1 PISTON

C2

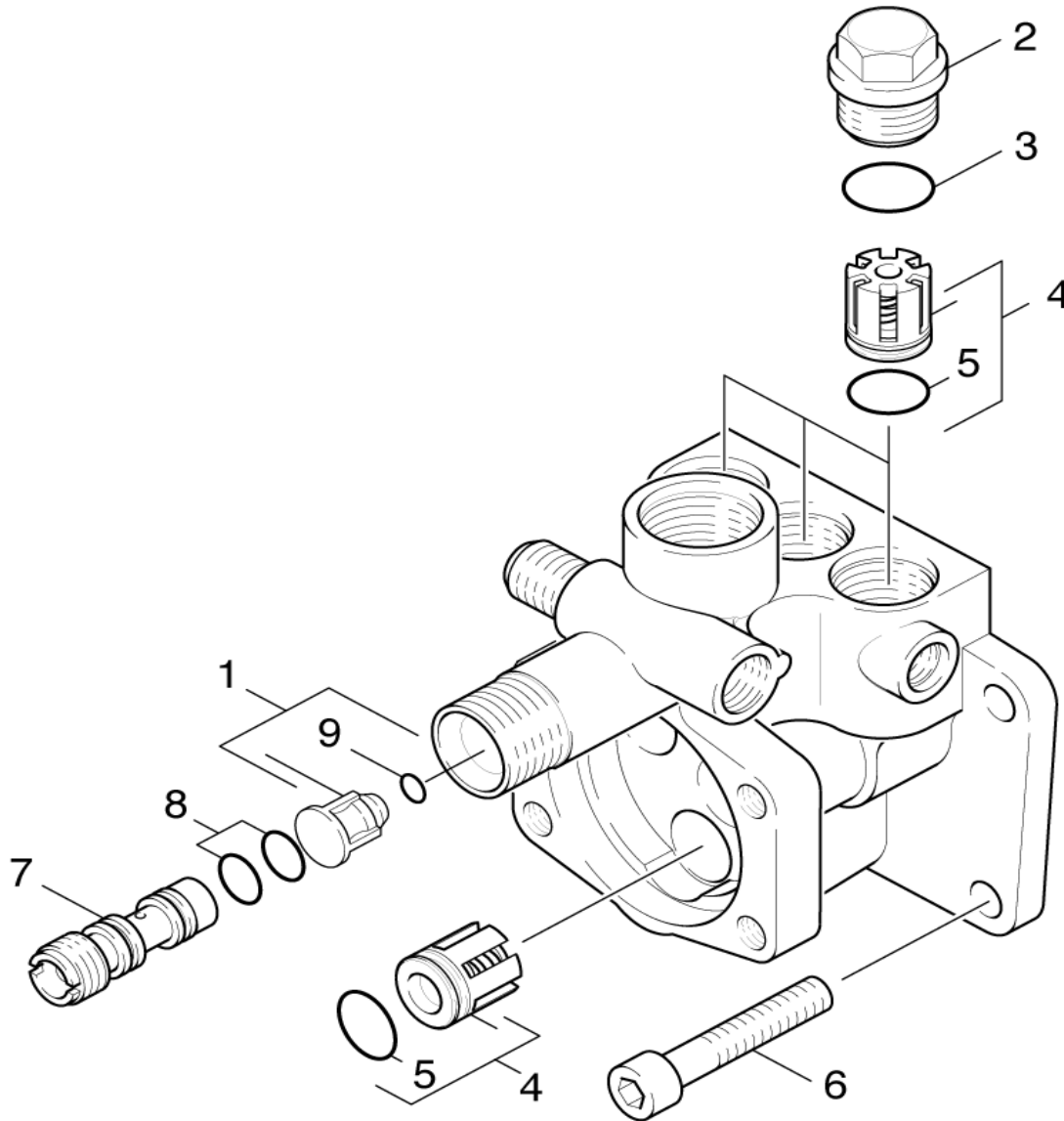
HD 880 B

POS.	BENNENNUNG	TEILE-NR.	STCK	POS.	BENNENNUNG	TEILE-NR.	STCK
ITM.	DESCRIPTION	PART-NO.	QTY.	ITM.	DESCRIPTION	PART-NO.	QTY.
POS.	DESIGNATION	NO.PIECE	NBR.	POS.	DESIGNATION	NO.PIECE	NBR.
4	O-Ring 88.0x2.2 / O-Ring Seal / Joint Torique	6.362-768.0	1				
5	Kolben Sperre Scheibe / Piston Lock Washer / Laveuse DeVerrouillage À Piston	5.030-500.0	3				
6	Feder / Helical Spring / Printemps	5.332-206.0	3				
7	Kolben / Piston / Piston	5.553-276.0	3				
8	Grooved Ring 16.0x24.0x7.0 / Grooved Ring (Oil Seal) / Anneau de bouvetés	6.365-322.0	3				
9	Messing-Scheibe / Brass Washer / Laveuse de laiton	5.115-493.0	3				
10	Kompakte Siegel 16.0x24.0x4.0 / Compact Seal / Compact sceau	6.365-351.0	3				
11	Messing Bushing / Brass Bushing / Coussinet de laiton	5.112-402.0	3				
12	Schraube M6x16-8.8 / Screw / Vis	7.306-090.0	2				
13	Kolben Guidance / Piston Guidance (Housing) / Orientation piston	5.060-451.0	1				
15	O-Ring 27.5x1.5 / O-Ring Seal / Joint Torique	6.362-398.0	3				
16	Waschmaschine / Washer/ Laveuse	5.115-425.0	3				
17	Grooved Ring 16.0x24.0x5.3 / Grooved Ring (Water Seal) / Anneau de bouvetés	6.365-354.0	3				
100	Pumpe-wiederherstellen-Kit / Pump Rebuild Kit / Kit de reconstruction de pompe	2.883-286.0	1				

GRUPPE: 2.2 VENTILE
GROUP: 2.2 VALVES
GRUPPE: 2.2 SOUPAPES

D2

HD 880 B



Symbolbeschreibung siehe M16 / symbol description see M16 / designation de système voir M16

GRUPPE: 2.2 VENTILE
GROUP: 2.2 VALVES
GRUPPE: 2.2 SOUPAPES

E2

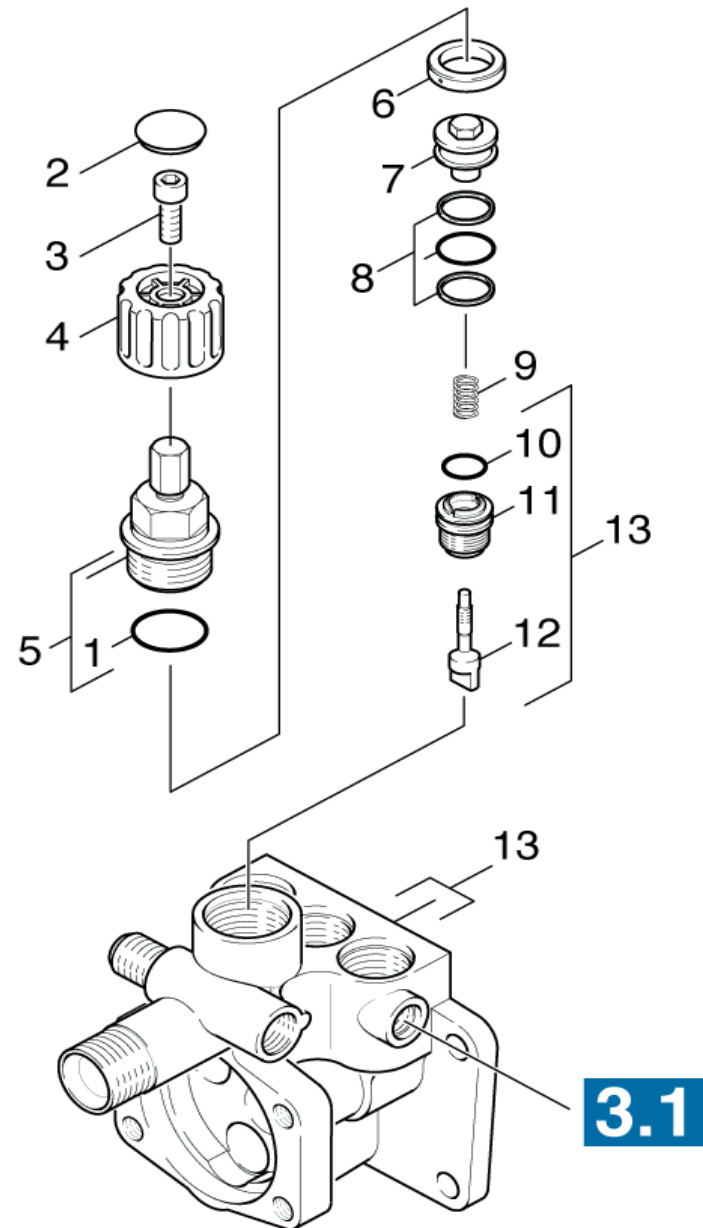
HD 880 B

POS.	BENNENNUNG	TEILE-NR.	STCK	POS.	BENNENNUNG	TEILE-NR.	STCK
ITM.	DESCRIPTION	PART-NO.	QTY.	ITM.	DESCRIPTION	PART-NO.	QTY.
POS.	DESIGNATION	NO.PIECE	NBR.	POS.	DESIGNATION	NO.PIECE	NBR.
1	Ventil PIN abgeschlossen / Valve Pin Complete / Vanne broches	4.584-022.0	1				
2	Ventil-Schrauben / Valve Screw / Vanne vis	5.583-115.0	3				
3	O-Ring 17.3x2.4 / O-Ring Seal / Joint Torique	6.362-160.0	3				
4	Ventil abgeschlossen / Valve Complete / Vanne Complete	4.580-295.0	6				
5	O-Ring 13.0x2.0 / O-Ring Seal / Joint Torique	6.362-381.0	6				
6	Cylinder Head Schrauben M8x50-8.8 / Cylinder Head Screw Tête de cylindre vis	7.306-039.0	4				
7	Düse einfügen / Nozzle Insert / Insertion de buse	5.769-119.0	1				
8	O-Ring 7.5x2.0 / O-Ring Seal / Joint Torique	6.362-054.0	2				
9	O-Ring 4.0x2.0 / O-Ring Seal / Joint Torique	6.362-851.0	1				

GRUPPE: 2.3 KONTROLLE VENTIL
GROUP: 2.3 CONTROL VALVE
GRUPPE: 2.3 VANNE DE CONTROLE

F2

HD 880 B



GRUPPE: 2.3 KONTROLLE VENTIL
GROUP: 2.3 CONTROL VALVE
GRUPPE: 2.3 VANNE DE CONTROLE

G2

HD 880 B

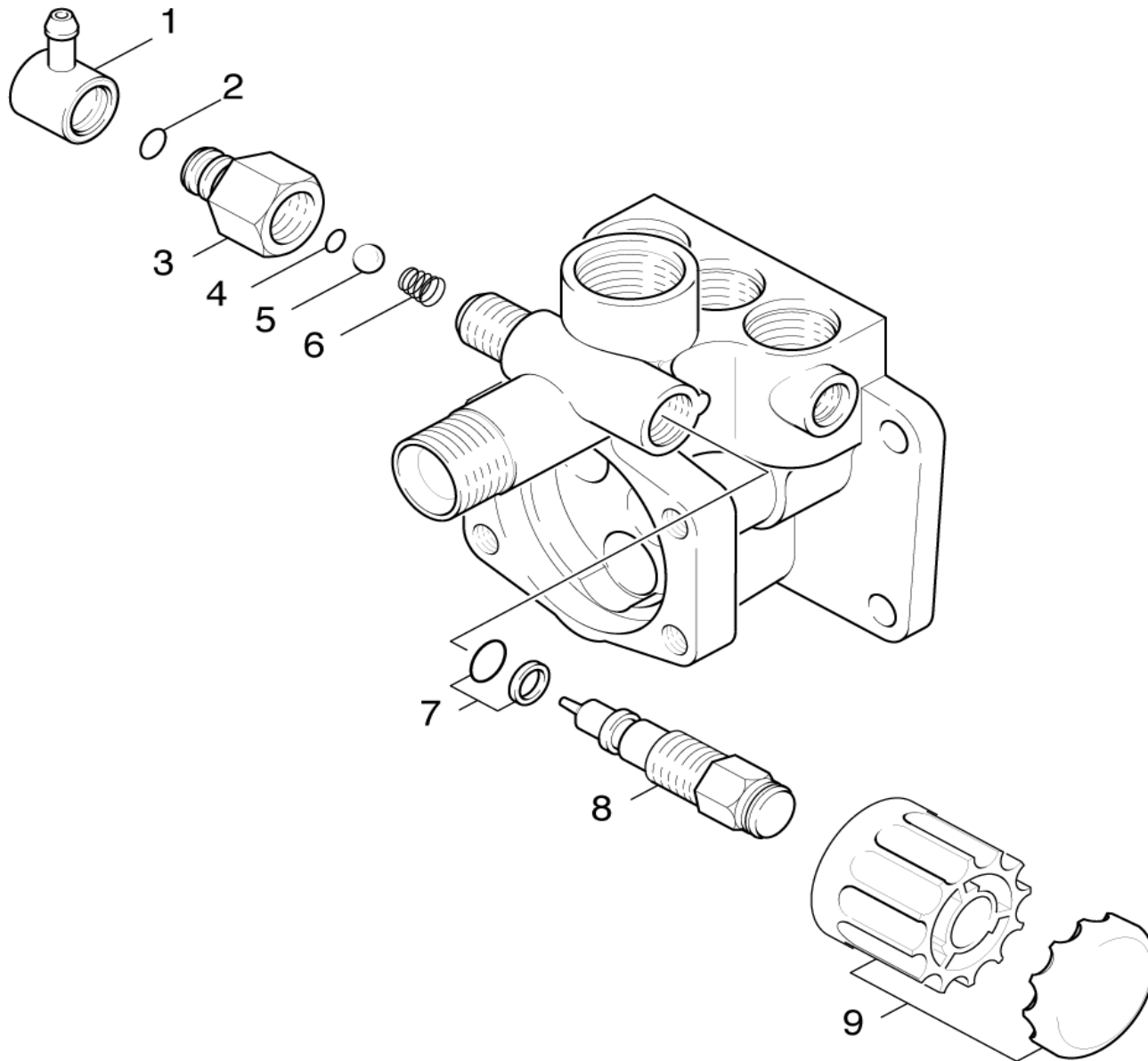
POS.	BENNENNUNG	TEILE-NR.	STCK	POS.	BENNENNUNG	TEILE-NR.	STCK
ITM.	DESCRIPTION	PART-NO.	QTY.	ITM.	DESCRIPTION	PART-NO.	QTY.
POS.	DESIGNATION	NO.PIECE	NBR.	POS.	DESIGNATION	NO.PIECE	NBR.
1	O-Ring / O-Ring Seal / Joint Torique	6.362-549.0	1				
2	Schließen Sie / Plug / Branchez	5.132-010.0	1				
3	Schraube M4x8-8.8-R2R / Screw / Vis	7.306-056.0	1				
4	Handgriff / Handhold / poignée	5.321-421.0	1				
5	Schraube Formstück-Kopf / Screw Fitting Head / vis à tête de raccord	4.401-053.0	1				
6	Waschmaschine / Washer/ Laveuse	5.115-619.0	1				
7	Kolben / Piston / Piston	5.553-324.0	1				
8	O-Ring / O-Ring Set (2 Flat, 1 Round) / Joint Torique	6.362-921.0	1				
9	Feder / Helical Spring / Printemps	5.332-396.0	1				
10	O-Ring 12.0x2.0 / O-Ring Seal / Joint Torique	6.362-169.0	1				
11	Ventil-Siegel / Valve Seal / vanne sceau	5.581-197.0	1				
12	Geformte Schrauben / Shaped Screw / Vis en forme	5.305-228.0	1				
13	Cylinder Head / Cylinder Head / Tête de cylindre	4.550-478.0	1				

"=> XXXXXX" = bis Werknummer / up to serial No. / jusqu' au No. de fabr. / "xxxxxx =>" = ab Werknummer / from serial No. / a partir du No. de fabr. /

GRUPPE: 2.4 CHEMIE
GROUP: 2.4 CHEMISTRY
GRUPPE: 2.4 CHIMIE

H2

HD 880 B



Symbolbeschreibung siehe M16 / symbol description see M16 / designation de systeme voir M16

GRUPPE: 2.4 CHEMIE
GROUP: 2.4 CHEMISTRY
GRUPPE: 2.4 CHIMIE

I2

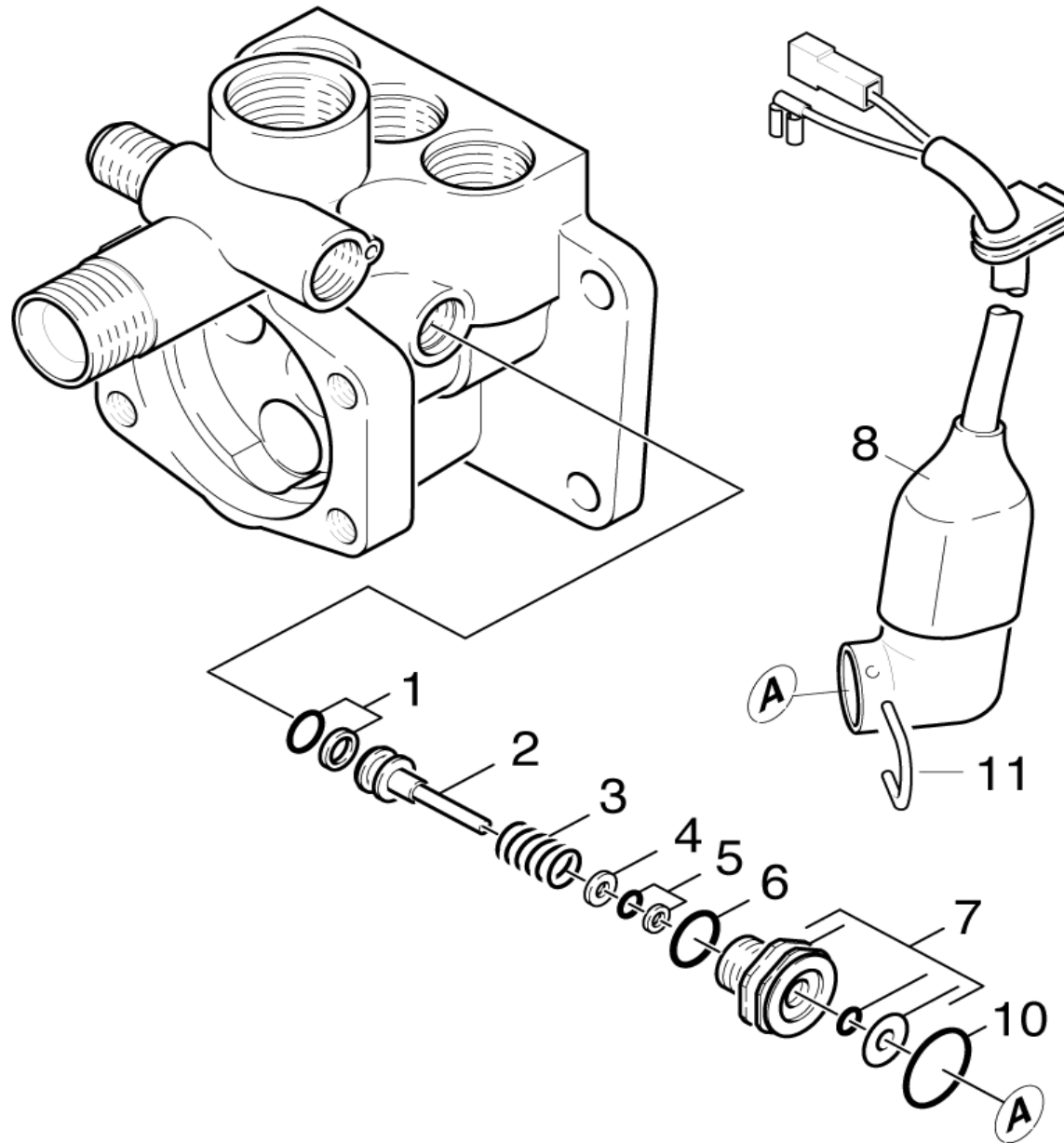
HD 880 B

POS.	BENNENNUNG	TEILE-NR.	STCK	POS.	BENNENNUNG	TEILE-NR.	STCK
ITM.	DESCRIPTION	PART-NO.	QTY.	ITM.	DESCRIPTION	PART-NO.	QTY.
POS.	DESIGNATION	NO.PIECE	NBR.	POS.	DESIGNATION	NO.PIECE	NBR.
1	Schlauch Wortstamm / Hose Stem / tige flexible	5.443-338.0	1				
2	O-Ring 8.0x2.0 / O-Ring Seal / Joint Torique	6.362-101.0	1				
3	Schlauch Kupplung / Hose Coupling / tuyau de couplage	5.446-006.0	1				
4	O-Ring 6.0x2.0 / O-Ring Seal / Joint Torique	6.362-383.0	1				
5	Stahlkugel 7 G40-1.4401 din 5401 / Sphere / bille d'acier	7.401-909.0	1				
6	Feder / Helical Spring / Printemps	5.332-258.0	1				
7	O-Ring Kpl. 7.65x1.7 / O-Ring Seal Complete / Joint Torique	6.362-365.0	1				
8	Sitz / Seat / siège	5.291-032.0	1				
9	Handgriff / Handhold / poignée	4.321-061.0	1				

GRUPPE: 2.5 DRUCKSCHALTER
GROUP: 2.5 PRESSURE SWITCH
GRUPPE: 2.5 PRESSOTAT

J2

HD 880 B



GRUPPE: 2.5 DRUCKSCHALTER
 GROUP: 2.5 PRESSURE SWITCH
 GROUPE: 2.5 PRESSOTAT

K2

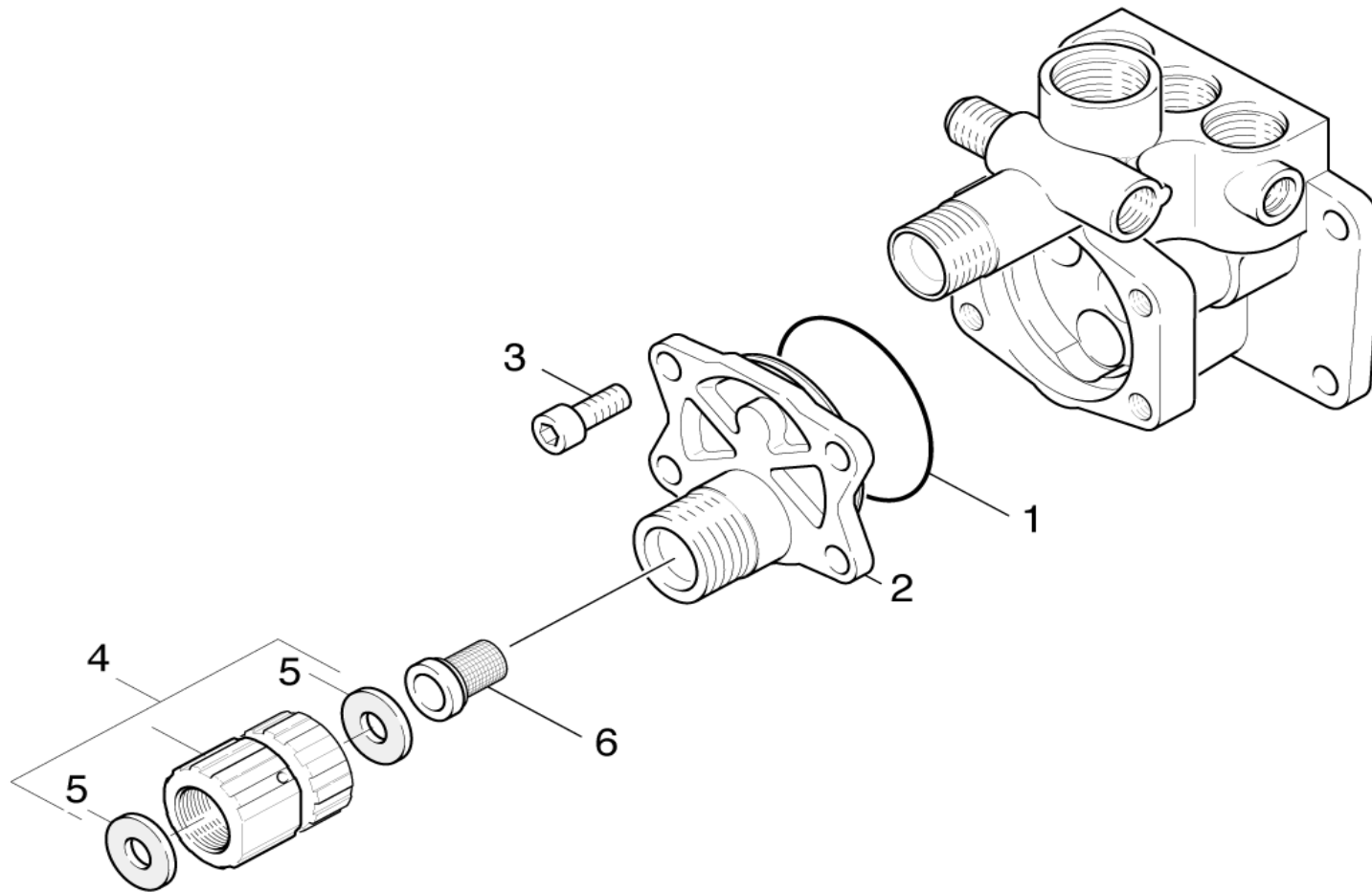
HD 880 B

POS.	BENNENNUNG	TEILE-NR.	STCK	POS.	BENNENNUNG	TEILE-NR.	STCK
ITM.	DESCRIPTION	PART-NO.	QTY.	ITM.	DESCRIPTION	PART-NO.	QTY.
POS.	DESIGNATION	NO.PIECE	NBR.	POS.	DESIGNATION	NO.PIECE	NBR.
1	O-Ring Kpl. / O-Ring Seal Complete / Joint Torique	6.362-467.0	1				
2	Kolben / Piston / Piston	5.553-320.0	1				
3	Feder / Helical Spring / Printemps	5.332-129.0	1				
4	Waschmaschine / Washer/ Laveuse	5.115-616.0	1				
5	O-Ring / O-Ring Seal / Joint Torique	6.362-587.0	1				
6	O-Ring 9.5x2.0 / O-Ring Seal / Joint Torique	6.362-528.0	1				
7	Schließen die Schraube / Closing Screw / Fermeture à vis	4.411-005.0	1				
8	Switch abgeschlossen / Switch Complete / Commutateur Complete	4.744-130.0	1				
10	O-Ring / O-Ring Seal / Joint Torique	6.362-423.0	1				
11	Trageriemen / Strap / Sangle	5.034-494.0	1				

GRUPPE: 2.6 WASSERVERSORGUNG
GROUP: 2.6 SUPPLY OF WATER
GRUPPE: 2.6 L'APPROVISIONNEMENT EN EAU

L2

HD 880 B



Symbolbeschreibung siehe M16 / symbol description see M16 / designation de système voir M16

GRUPPE: 2.6 WASSERVERSORGUNG

GROUP: 2.6 SUPPLY OF WATER

GRUPPE: 2.6 L'APPROVISIONNEMENT EN EAU

M2

HD 880 B

POS.	BENNENNUNG	TEILE-NR.	STCK	POS.	BENNENNUNG	TEILE-NR.	STCK
ITM.	DESCRIPTION	PART-NO.	QTY.	ITM.	DESCRIPTION	PART-NO.	QTY.
POS.	DESIGNATION	NO.PIECE	NBR.	POS.	DESIGNATION	NO.PIECE	NBR.
1	O-Ring 50.0x2.0 / O-Ring Seal / Joint Torique	6.362-561.0	1				
2	Abdeckung-Gehäuse / Cover Housing / logement de couverture	5.060-297.0	1				
3	Cylinder Head Schrauben M8x50-8.8 / Cylinder Head Screw Tête de cylindre vis	7.306-041.0	4				
4	Schraube union Teil / Screw Union Part / partie syndicale vis	4.401-059.0	1				
5	Flache Dichtung / Flat Gasket / Joints d'étanchéité plat	5.364-129.0	2				
6	Strainer / Strainer / passoire	6.414-252.0	1				

KARCHER

A3

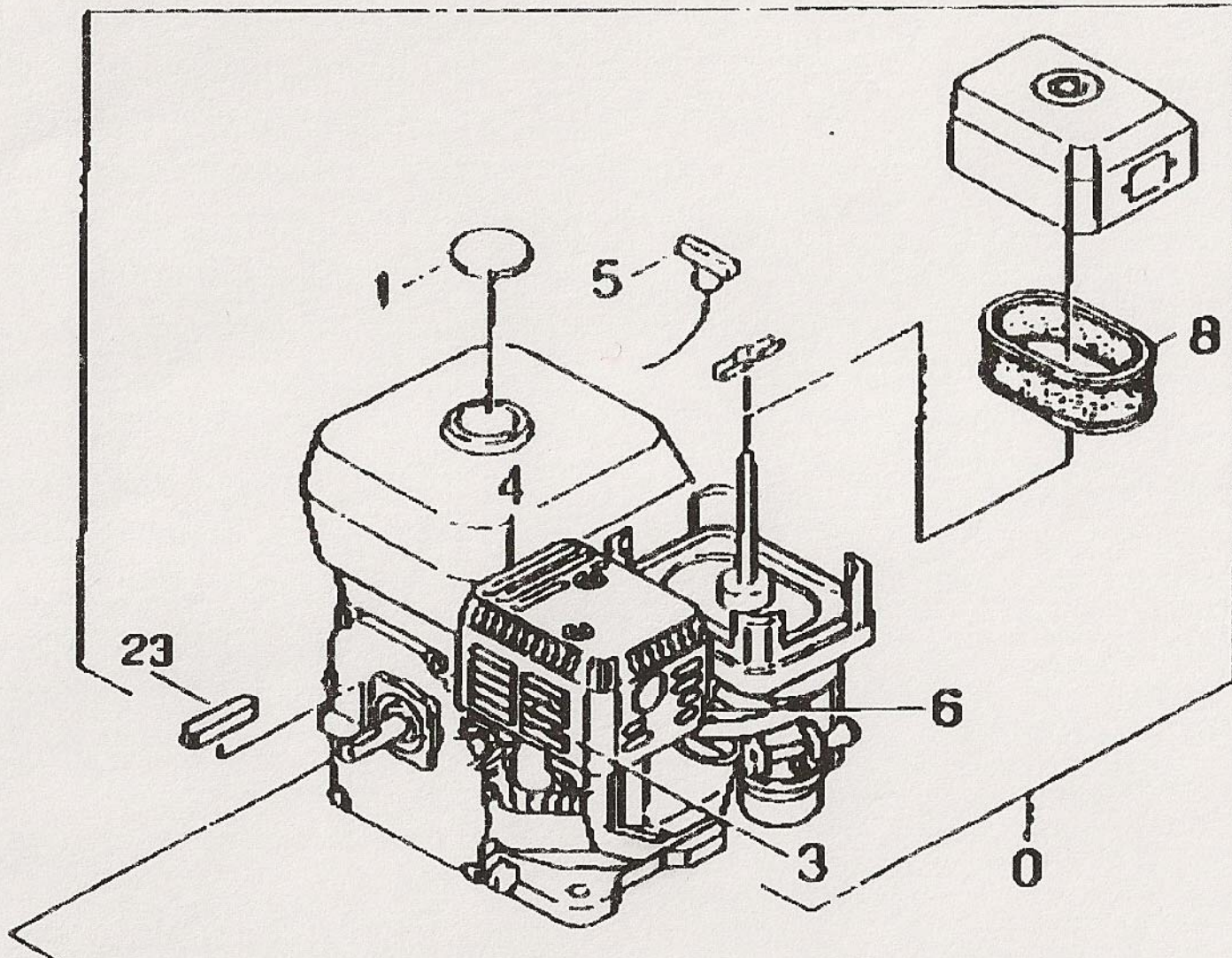
HD 880 B

Gruppe	3: Motor
Group	3: Motor
Groupe	3: Moteur

GRUPPE: 3.1 MOTOR
GROUP: 3.1 MOTOR
GRUPPE: 3.1 MOTEUR

B3

HD 880 B



Symbolbeschreibung siehe M16 / symbol description see M16 / designation de systeme voir M16

GRUPPE: 3.1 MOTOR
GROUP: 3.1 MOTOR
GRUPPE: 3.1 MOTEUR

C3

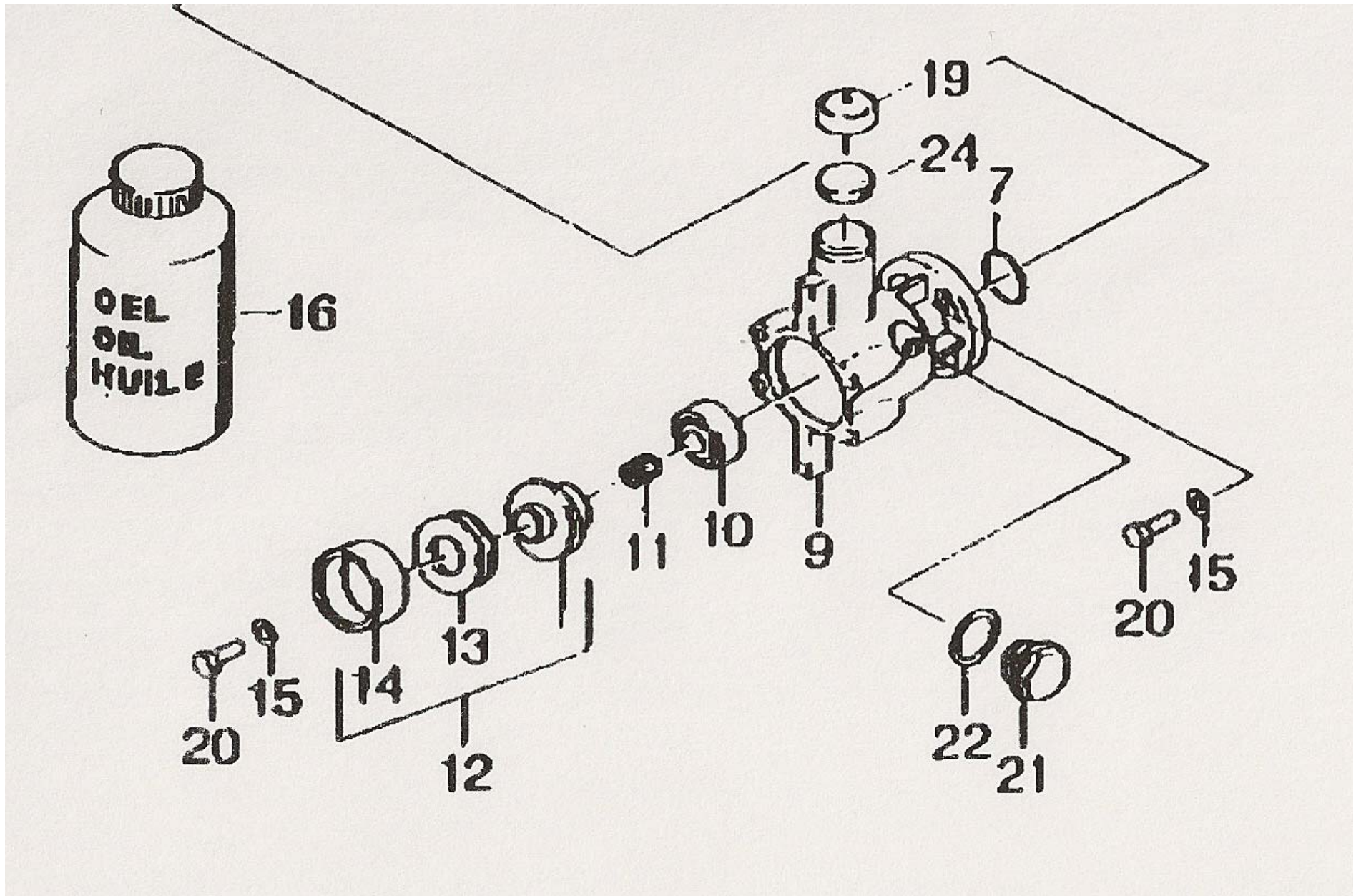
HD 880 B

POS.	BENNENNUNG	TEILE-NR.	STCK	POS.	BENNENNUNG	TEILE-NR.	STCK
ITM.	DESCRIPTION	PART-NO.	QTY.	ITM.	DESCRIPTION	PART-NO.	QTY.
POS.	DESIGNATION	NO.PIECE	NBR.	POS.	DESIGNATION	NO.PIECE	NBR.
0	Benzinmotor 5.5ps / Benzinemotor / Benzenemoteur	6.491-305.0	1				
1	Tankdeckel Kpl. / Tank Cover / Bouchon Reservior	6.491-226.0	1				
3	Bichtung / Seal / Joint	6.491-227.0	1				
4	Auspufflopf / Exhaust Box / Pot D'echappement	6.491-357.0	1				
5	Anlassersell Kpl. / Starterpart / Demarreurcomprls	6.491-229.0	1				
6	Zuendkerze / Ignition Plug / Bougle D'allumage	6.491-127.0	1				
8	Luftfiltereinsatz / Air Filter / Cartouche de Filtr	6.491-230.0	1				
23	Passfeder / Shaft Key / Ressort D'ajustage	6.491-207.0	1				

GRUPPE: 3.2 ANTRIEB
GROUP: 3.2 GEAR
GRUPPE: 3.2 ENTRAINEMENT

D3

HD 880 B



Symbolbeschreibung siehe M16 / symbol description see M16 / designation de systeme voir M16

GRUPPE: 3.2 ANTRIEB
 GROUP: 3.2 GEAR
 GROUPE: 3.2 ENTRAINEMENT

E3

HD 880 B

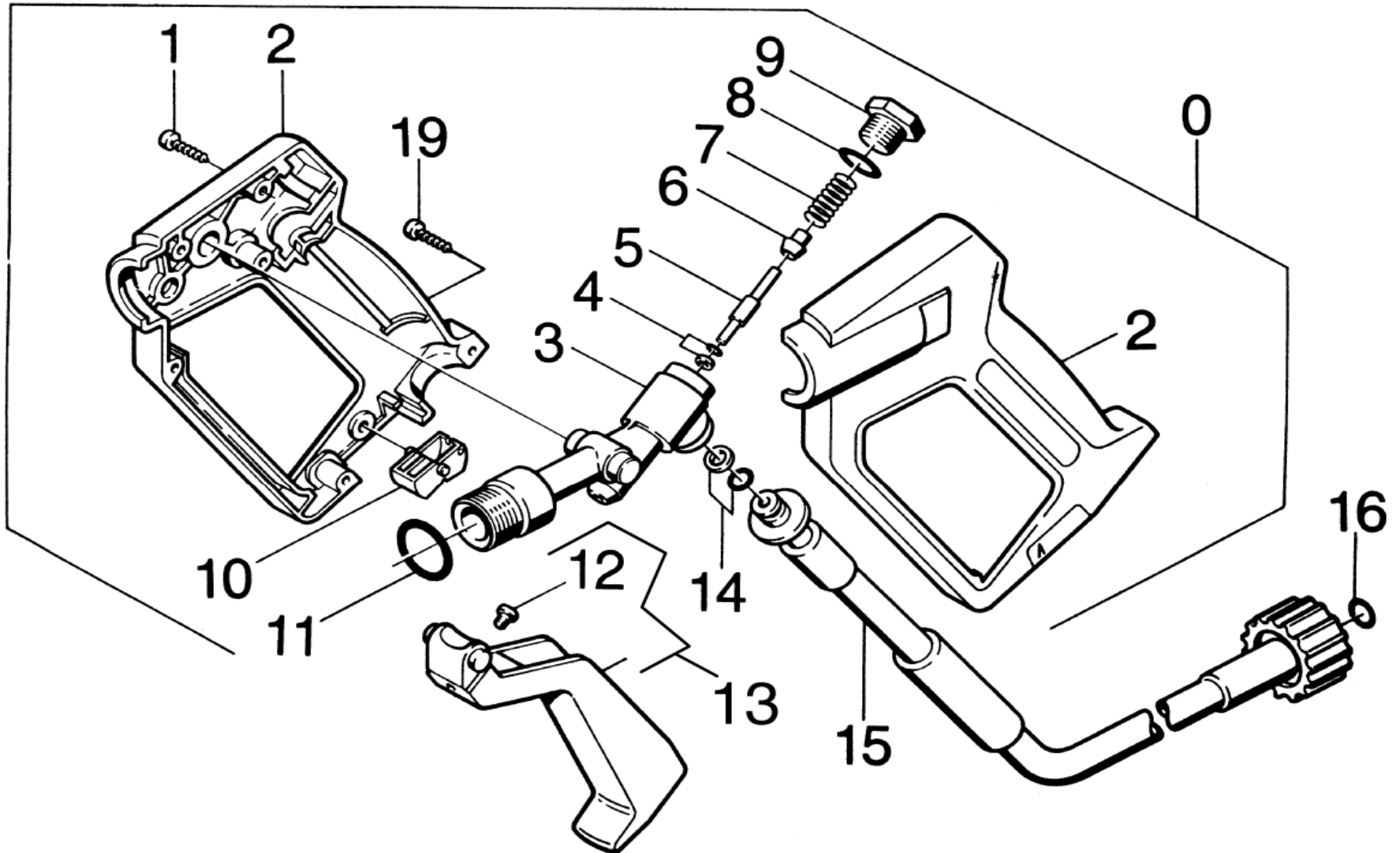
POS.	BENNENNUNG	TEILE-NR.	STCK	POS.	BENNENNUNG	TEILE-NR.	STCK
ITM.	DESCRIPTION	PART-NO.	QTY.	ITM.	DESCRIPTION	PART-NO.	QTY.
POS.	DESIGNATION	NO.PIECE	NBR.	POS.	DESIGNATION	NO.PIECE	NBR.
7	O-Ring 43.0x3.0 / O-Ring / Joint Torique	6.362-111.0	1				
9	Gehaeuse / Housing / Boilier	5.060-321.0	1				
10	Kugellager 7305-B / Axial Ball Bearing / Roulemane A Billes	6.401-032.0	1				
11	Buchse / Bush / Bolie	5.112-339.0	1				
12	Taumelscheibe Kpl. / Swash Plate Complete / Bisque En Mut. Comp.	4.120-155.0	1				
13	Ax-Rillenkugellager / Thrust Bearing / Butee	6.401-141.0	1				
14	Profillring / Profile Ring / Anneau	5.015-041.0	1				
15	Scheibe B 8.4 / Disk / Disque	7.312-004.0	5				
16	Motorenoel 1L / Engine Oil / Huile A Moteurs	6.288-050.0	1				
19	Deckel / Cover / Couvercle	5.063-389.0	1				
20	Schraube 5/16 / Screw / Vis	6.304-033.0	5				
21	Verschlusschraube / Closing Screw / Vis de Fermeture	5.411-062.0	1				
22	Dichtung / Seal / Joint	6.362-585.0	1				
23	Passfeder / Shaft Key / Ressort D'ajustage (NOT SHOWN)	6.491-207.0	1				
24	Filterscheibe / Filter Disk / Disque	6.286-203.0	1				

Gruppe	4: Zubehoer
Group	4: Accessories
Groupe	4: Accessories

GRUPPE: 4.1 HANDSPRITZPISTOLE
GROUP: 4.1 TRIGGER GUN
GRUPPE: 4.1 POIGNEE PISTOLE

B4

HD 880 B



Symbolbeschreibung siehe M16 / symbol description see M16 / designation de systeme voir M16

GRUPPE: 4.1 HANDSPRITZPISTOLE
GROUP: 4.1 TRIGGER GUN
GRUPPE: 4.1 POIGNEE PISTOLE

C4

HD 880 B

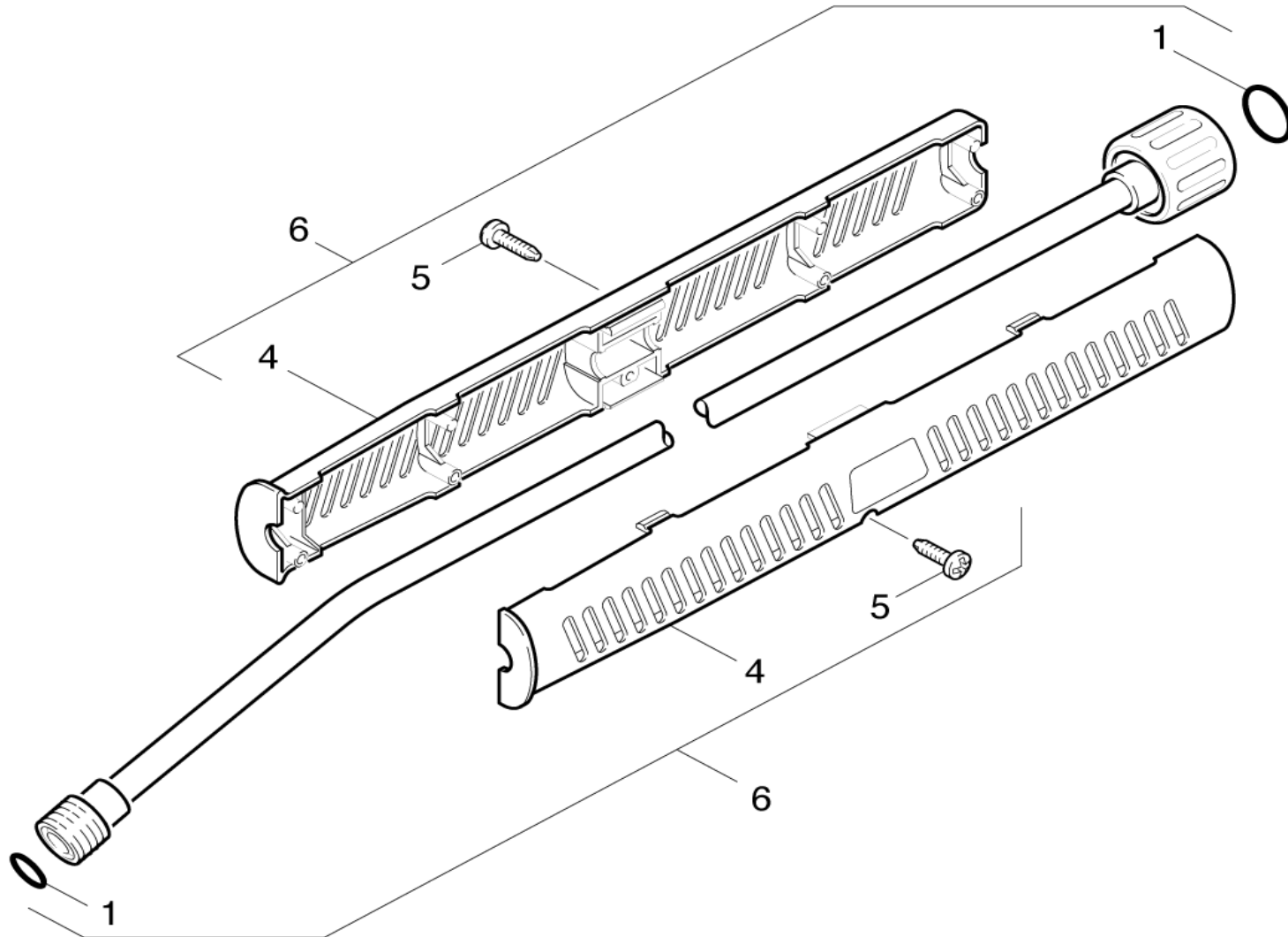
POS.	BENNENNUNG	TEILE-NR.	STCK	POS.	BENNENNUNG	TEILE-NR.	STCK
ITM.	DESCRIPTION	PART-NO.	QTY.	ITM.	DESCRIPTION	PART-NO.	QTY.
POS.	DESIGNATION	NO.PIECE	NBR.	POS.	DESIGNATION	NO.PIECE	NBR.
0	E-Handspritzpistole / Hand Trigger Gun / Poignee-Pistolet	4.775-080.0	1				
1	Schraube 4.2x22.0 / Screw / Vis	7.303-096.0	5				
2	Griffpaar / Handhold (2 Halves) / Paire de Poignees	5.321-206.0	1				
3	Knotenstueck / Strut Attach Fitting / Ferrure Modale	5.427-115.0	1				
4	O-Ring Kpl. / O-Ring Seal / Joint Torique	6.362-571.0	1				
5	Strange / Bar / Perche	5.107-259.0	1				
6	Ventilteller / Valve Disc / Tete de Soupape	5.582-058.0	1				
7	Schraubenfeder / Helical Spring / Ressort A Boudin	5.332-157.0	1				
8	O-Ring 12.42x1.78 / O-Ring Seal / Joint Torique	6.362-480.0	1				
9	Verschluss Schraube / Screw Plug / Vis de Fermeture	5.411-067.0	1				
10	Hebel / Lever / Levier	5.481-052.0	1				
11	O-Ring 17.12x2.62 / O-Ring Seal / Joint Torique	6.362-496.0	1				
12	Zapfen M8x16-45 / Threaded Pin / Tourillon	7.307-417.0	1				
13	Hebel / Lever / Levier	4.481-050.0	1				
14	O-Ring Kpl. 1st-r / O-Ring / Joint Torique	6.363-115.0	1				
15	HD-Schlauch DN6 25ft / HP Hose / Tayau Flexible Haute Pre.	6.389-853.0	1				
16	O-Ring Set 10.0x2.0 (5 Stuck) / O-Ring Seal (5 Pack) / Jeu de 5 Joints Toriques	2.880-296.0	1				
19	Schraube 4.2x16.0 / Oval Head Screw / Vis	6.303-025.0	1				

"=> XXXXXX" = bis Werknummer / up to serial No. / jusqu' au No. de fabr. / "xxxxxx =>" = ab Werknummer / from serial No. / a partir du No. de fabr. /

GRUPPE: 4.2 STRAHLROHR
GROUP: 4.2 JET PIPE
GRUPPE: 4.2 LANCE D'INCENDIE

D4

HD 880 B



Symbolbeschreibung siehe M16 / symbol description see M16 / designation de système voir M16

GRUPPE: 4.2 STRAHLROHR
GROUP: 4.2 JET PIPE
GRUPPE: 4.2 LANCE D'INCENDIE

E4

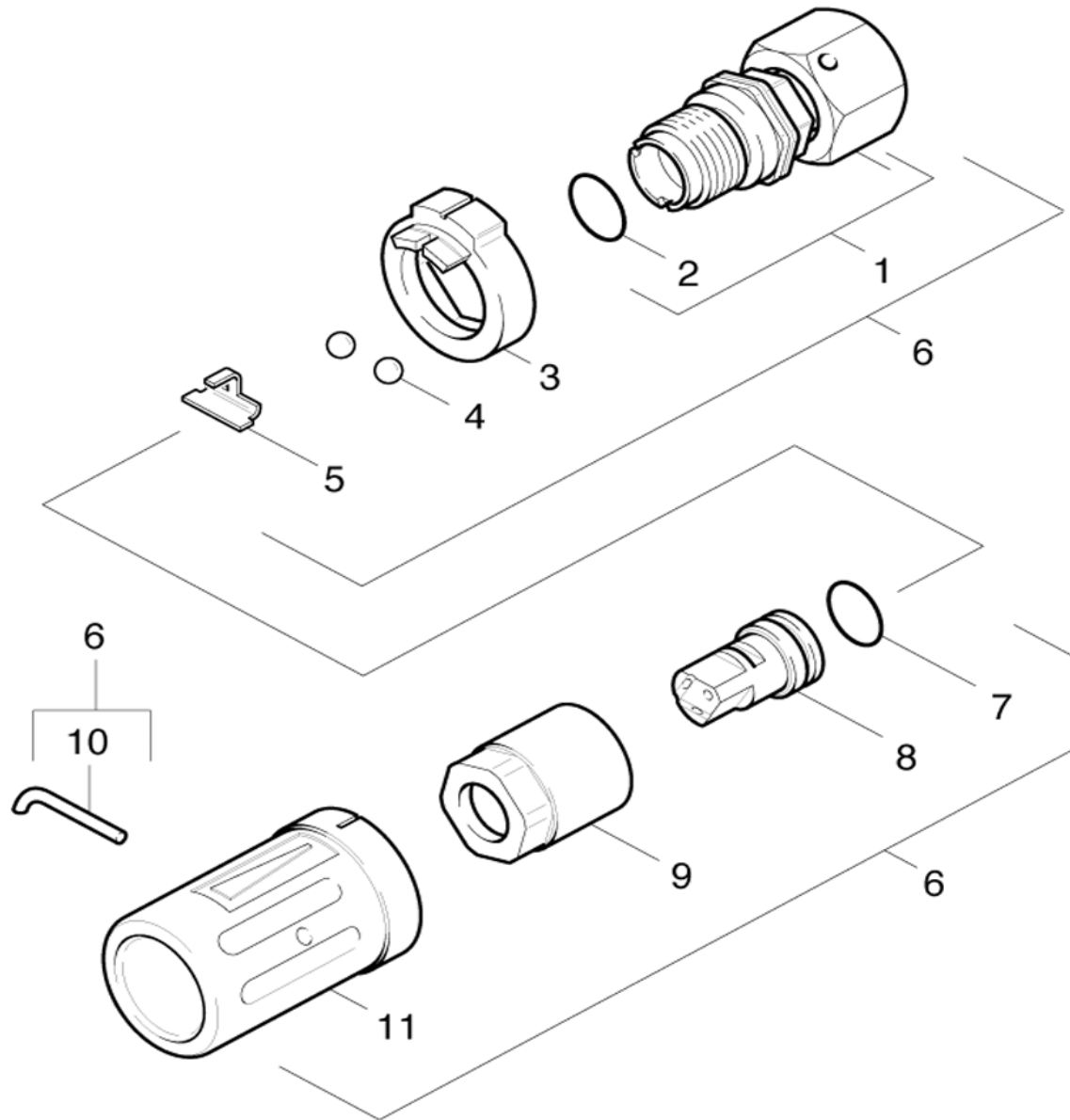
HD 880 B

POS.	BENNENNUNG	TEILE-NR.	STCK	POS.	BENNENNUNG	TEILE-NR.	STCK
ITM.	DESCRIPTION	PART-NO.	QTY.	ITM.	DESCRIPTION	PART-NO.	QTY.
POS.	DESIGNATION	NO.PIECE	NBR.	POS.	DESIGNATION	NO.PIECE	NBR.
1	O-Ring Set 10.0x2.0 (5 Stuck) / O-Ring Seal (5 Pack) / Jeu de 5 Joints Toriques	2.880-296.0	2				
4	Griff / Handle (PART #=One Half) / Polgnee	5.321-150.0	2				
5	Schraube 4.2x16.0 / Oval Head Screw / Vis	6.303-025.0	2				
6	Strahbrohr / Spray Lance / Lance D'incendie	4.760-184.0	1				

GRUPPE: 4.3 DREIFACHDUESE
GROUP: 4.3 TRIPLE JET NOZZLE
GRUPPE: 4.3 GICLEUR TRIPLE

F4

HD 880 B



Symbolbeschreibung siehe M16 / symbol description see M16 / designation de systeme voir M16

GRUPPE: 4.3 DREIFACHDUESE
 GROUP: 4.3 TRIPLE JET NOZZLE
 GROUPE: 4.3 GICLEUR TRIPLE

G4

HD 880 B

POS.	BENNENNUNG	TEILE-NR.	STCK	POS.	BENNENNUNG	TEILE-NR.	STCK
ITM.	DESCRIPTION	PART-NO.	QTY.	ITM.	DESCRIPTION	PART-NO.	QTY.
POS.	DESIGNATION	NO.PIECE	NBR.	POS.	DESIGNATION	NO.PIECE	NBR.
1	Schraubstutzen / Screw Socket / Hanchon Filete	4.402-042.0	1				
2	O-Ring 14.0x2.5 / O-Ring / Joint Torique	6.362-460.0	1				
3	Tormteil / Preform / Preforme	5.030-528.0	1				
4	Stahlkugel 0.5 / Steel Ball / Bille D'Acier	7.401-902.0	2				
5	Halter / Support / Appui	5.042-405.0	1				
6	Triple-Jet Düse vollständige 055 / Triple Jet Nozzle Complete / triple jet buse complète	4.763-107.0	1				
7	O-Ring 12.42x1.78 / O-Ring / Joint Torique	6.362-480.0	1				
8	Oreistrahlduese 055 / Tripple Jet Nozzle / Une Duse A rois Jet	6.415-485.0	1				
9	6kt Mutter / Hex Nut / Ecrow Hex	5.311-117.0	1				
10	Haken / Hook / Crochet	5.037-059.0	1				
11	Schutzteil / Protection Part / Piece de Protection	5.394-212.0	1				