

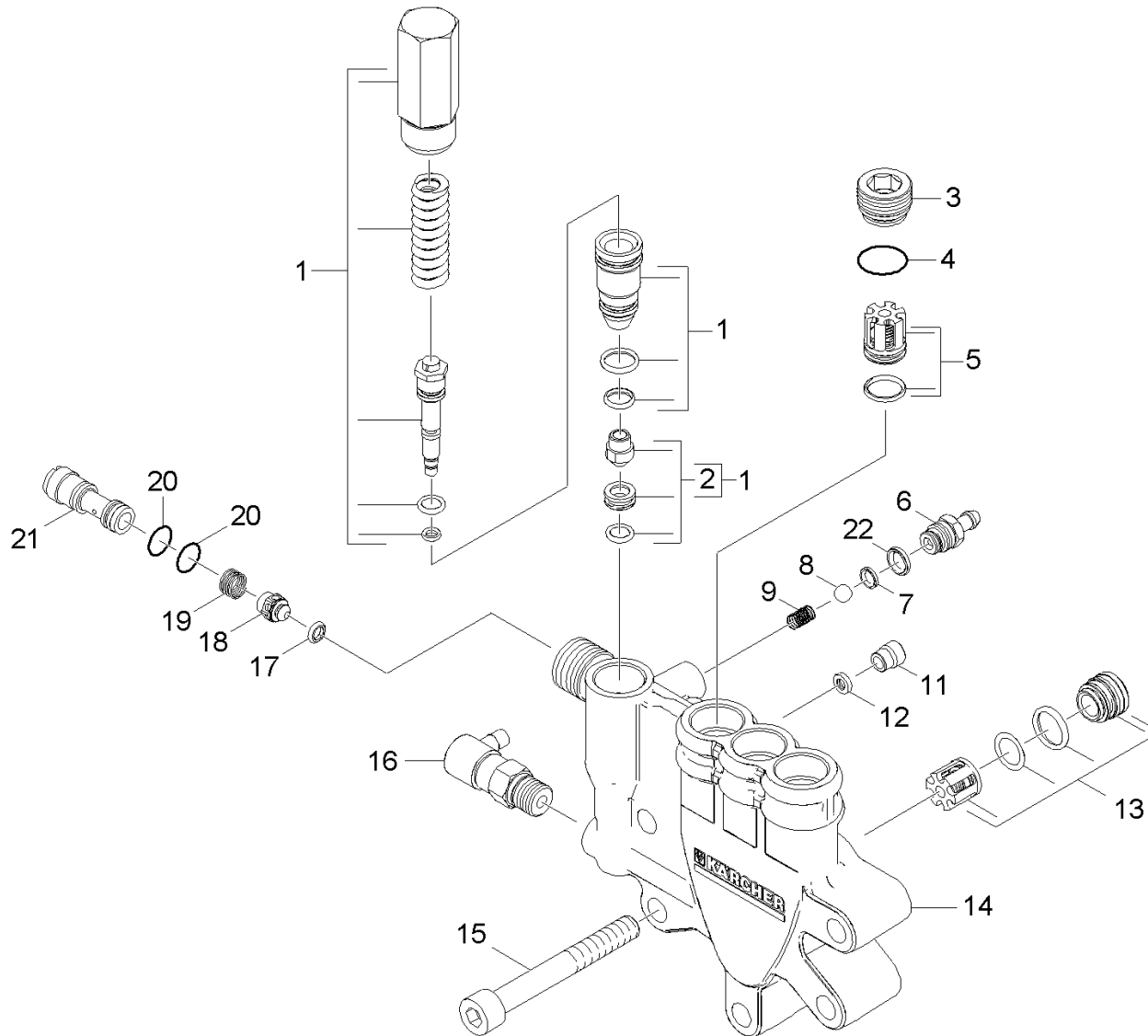
**2.0 Pump set**

PWOULET.COM

2.1 Cylinder head  
2.2 Piston



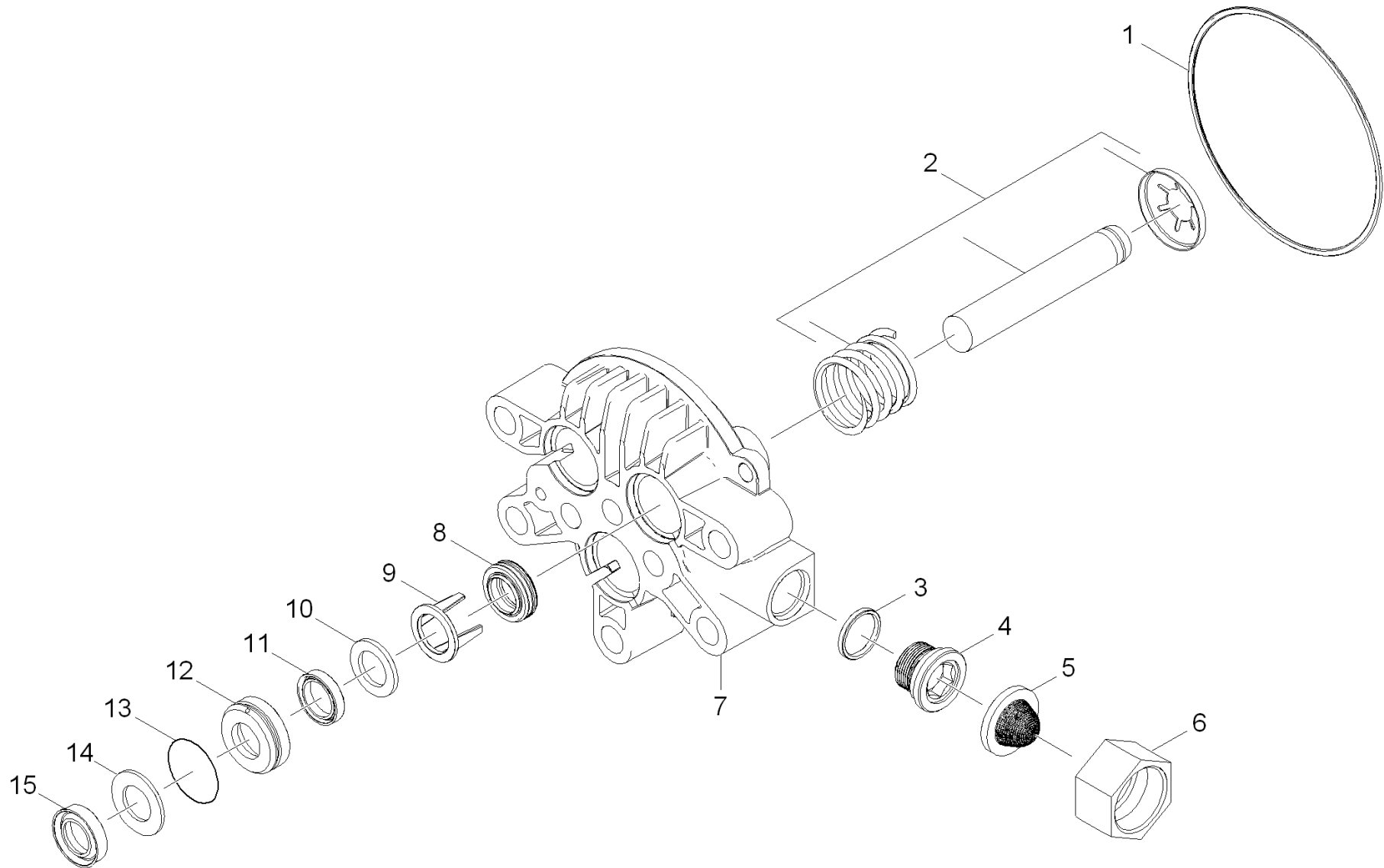
## 2.1 Cylinder head



## 2.1 Cylinder head

| POS | DESCRIPTION<br>ADDITIONAL INFORMATIONS | PART NO  | QTY. | FROM SER.NR. | UP TO SER. NR. |
|-----|--|----------|------|--------------|----------------|
| 1   | UNLOADER ASSY (9.120-019.0) PUMP       | 91750110 | 1    |              |                |
| 2   | Spare parts set seat excess-current    | 91393590 | 1    |              |                |
| 3   | Plug M22x1                             | 91540470 | 3    |              |                |
| 4   | O-Ring seal 14,0x2,0-NBR 80            | 63624810 | 3    |              |                |
| 5   | Valve (3 Stueck)                       | 28845120 | 1    |              |                |
|     | 3 QTY.                                 |          |      |              |                |
| 6   | Nipple chemistry                       | 54434480 | 1    |              |                |
| 7   | O-Ring seal 5,28x 1,78                 | 63621750 | 1    |              |                |
| 8   | Sphere 7 G40 -1.4401 DIN 5401          | 74019090 | 1    |              |                |
| 9   | Helical spring                         | 53322580 | 1    |              |                |
| 11  | Plug M10x1                             | 91540490 | 1    |              |                |
| 12  | RUPTURE DISK, 5000 psi                 | 91510140 | 1    |              |                |
| 13  | SPARE PART LIST 019 PUMP               | 91393640 | 1    |              |                |
|     | 3 QTY.                                 |          |      |              |                |
| 14  | Cylinder Head-Machined                 | 91350120 | 1    |              |                |
| 15  | Cylinder head screw M10X 80-8.8-A3E IS | 73060720 | 5    |              |                |
| 16  | THERMAL RELIEF VALVE                   | 91840130 | 1    |              |                |
| 17  | O-Ring seal 4 x 2 NBR 90               | 63628510 | 1    |              |                |
| 18  | VALVE PIN-BACK PRESSURE                | 91840120 | 1    |              |                |
| 19  | SPRING-VALVE PIN                       | 91570060 | 1    |              |                |
| 20  | O-Ring seal 9,0 x 1,5                  | 63623840 | 2    |              |                |
| 21  | Nozzle insert                          | 57691410 | 1    |              |                |
| 22  | O-Ring seal 8,0 x 1,0                  | 63624510 | 1    |              |                |

## 2.2 Piston



## 2.2 Piston

| POS | DESCRIPTION<br>ADDITIONAL INFORMATIONS | PART NO  | QTY. | FROM SER.NR. | UP TO SER. NR. |
|-----|--|----------|------|--------------|----------------|
| 1   | O-Ring seal 92X2 NBR 70                | 63630670 | 1    |              |                |
| 2   | SPARE PART OF PISTON 9.120-019.0 PUMP  | 91393580 | 3    |              |                |
| 3   | O-Ring seal 15,6 X 1,78                | 63623900 | 1    |              |                |
| 4   | MALE ADAPTER                           | 91340190 | 1    |              |                |
| 5   | FILTER SEAL-HOSE CONNECTOR-            | 91810050 | 1    |              |                |
| 6   | FEMALE HOSE CONNECTOR                  | 91550130 | 1    |              |                |
| 7   | Piston Guide-4000 psi                  | 91350130 | 1    |              |                |
| 8   | Grooved ring 14X22X5/7                 | 63653400 | 3    |              |                |
| 9   | Spacer                                 | 91823560 | 3    |              |                |
| 10  | BACK RING-LOW PRESSURE SEAL            | 91773110 | 3    |              |                |
| 11  | Grooved ring 14x20x4                   | 63654340 | 3    |              |                |
| 12  | HOUSING-LOW PRESSURE SEAL              | 91550140 | 3    |              |                |
| 13  | O-Ring seal 24,0 X 1,5                 | 63623760 | 3    |              |                |
| 14  | BACK RING-HIGH PRESSURE SEAL-          | 91773120 | 3    |              |                |
| 15  | Seal high pressure                     | 91773130 | 3    |              |                |