

ITEM	PART NO	DESCRIPTION	QTY
†	1	7105011 FRAME, 11.75" BASE SVC ASSY FLAT BLACK	1
†	2	7105855 HANDLE, REAR 11.75" SVC. ASSY F-BLACK W/LABEL	1
	2.1	7104806 HANDLE, REAR 11.75" F/BLACK	1
	2.2	7104813 PLATE, DASHBOARD YELLOW	1
	2.3	7103161 SCREW, 1/4-20 X 3/4 TORX PANHEAD	1
†	2.4	HOLDER, RUBBER, 5 NOZZLE	4
	3	7104803 HANDLE, QS ASSY F/BLACK DXPW 11.75 C-C	1
	4	7103649 ENGINE, SVC ASSY HONDA GX200	1
	5	7105890 PUMP ASSEMBLY, 9.6GA12 SVC KIT	1
¶	5.1	7104977 PUMP, HORIZONTAL 3200PSI @ 2.6GPM TRIPLEX	1
	5.2	7104122 CAP, BLACK VINYL 0.625 ID X 1.50	1
	6	7105013 WHEEL, SERVICE KIT	2
†	6.1	WHEEL, 10 X 4 (4.10/3.50-4) BLACK HUB	1
†	6.2	WASHER, 5/8" SAE FLAT	1
†	6.3	CLIP, E-TYPE 5/8" X 0.042 ZINC/CLEAR	1
	7	7103292 FOOT KIT, RUBBER FOOT & SCREW	2
†	7.1	RUBBER FOOT, 1.50IN X 0.625IN	1
†	7.2	SCREW, 1/4-20 X 3/4 TORX PANHEAD	1
	8	7103750 HARDWARE KIT, ENGINE MOUNT	1
†	8.1	BOLT, FLANGE 5/16-18	4
†	8.2	NUT, SERRATED FLANGE 5/16-18	4
	9	7105474 HARDWARE KIT, PUMP MOUNTING	1
†	9.1	BOLT, 5/16-24	4
†	9.2	WASHER, SPLIT LOCK RUST RESISTANT	4
	10	7104570 HARDWARE KIT, HANDLE MOUNTING	2
†	10.1	BOLT, SADDLE 5/16-18	1
†	10.2	NUT, HAND TIGHT	1
	11	7103743 NOZZLE SET, 5 PC. 3.0	1
	12	7104166 HANDLE GRIP, VINYL COVER YELLOW	1
	13	7103518 GUN, 3700PSI, 8GPM, M22 IN, M22(F) OUT	1
	14	7103550 LANCE, 16" WITH 1/4 QC AND M22(M)	1
	15	7104842 HOSE 5/16" X 25' 3600PSI	1
	16	7102207 SOAP HOSE AND FILTER KIT	1
*	17	7102045 TOOL, NOZZEL CLEANING, UNIVERSAL	1
*	18	7104827 MANUAL, OPERATORS DXPW3228 SPECIIFIC	1
*	19	7104826 BOX, SHIPPING DXPW3228 SPECIFIC	1

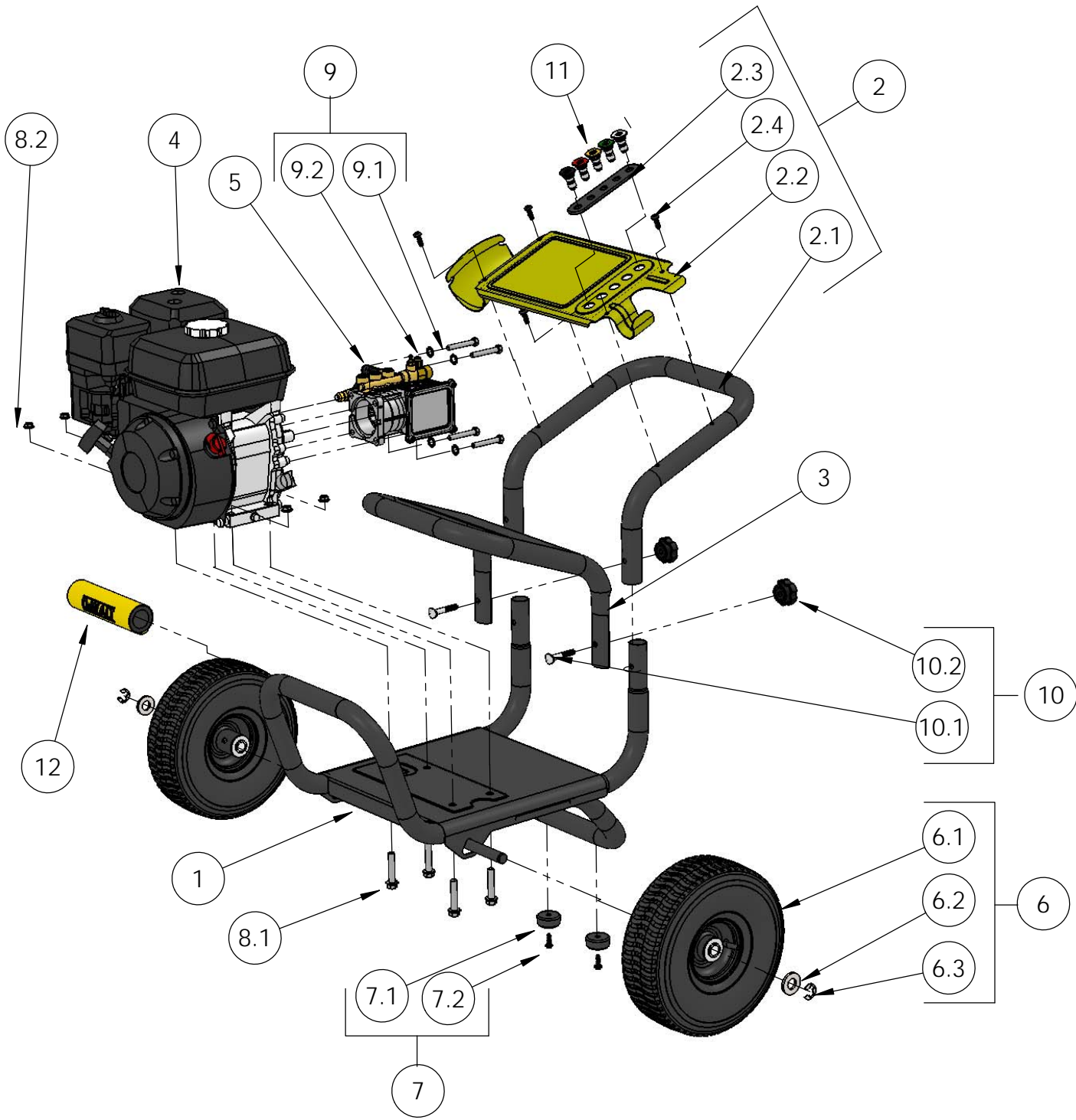
† NOT SOLD SEPARATELY

\* NOT SHOWN

PUMP IDENTIFICATION TABLE			
MACHINE SERIAL NO.	PUMP MODEL	PUMP PART NO.	PUMP KIT
193704 THROUGH PRESENT	9.6GA12	7104977	7105890



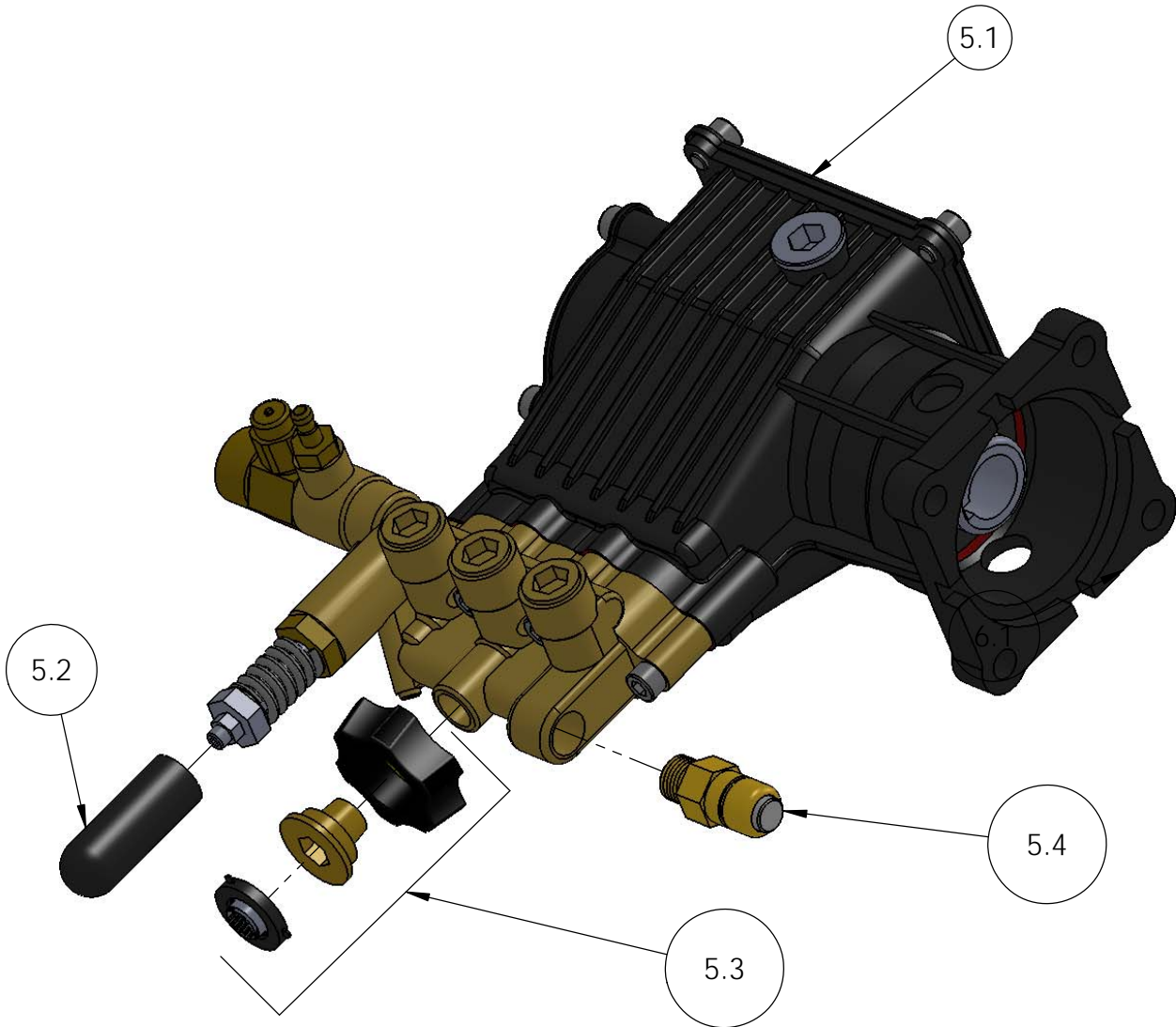
NAME	DATE	FNA-GROUP	
DRAWN: MAV	7/09/2012	1265 INDUSTRIAL STREET, DECATUR, AR 72722	
CHECKED: MG	7/05/2012	TITLE:	
ENG APPR: JEW	7/09/2012	<b>DXPW3228</b>	
MFG APPR: S.C.	7/11/2012		
Q.A. APPR: J.P.	7/11/2012		
SERVICE APPR: D.H.	7/10/2012		
<b>PROPRIETARY AND CONFIDENTIAL</b> THE INFORMATION CONTAINED IN THIS DRAWING IS THE SOLE PROPERTY OF FNA-GROUP. ANY REPRODUCTION IN PART OR AS A WHOLE WITHOUT THE WRITTEN PERMISSION OF FNA-GROUP IS PROHIBITED.		SIZE: <b>A</b> DWG. NO. <b>60517-S</b> REV. <b>B</b>	SCALE: N/A ECN# DC12-0106 SHEET 1 OF 4



SIZE	DWG. NO.	REV.
<b>A</b>	<b>60517-S</b>	<b>B</b>
SCALE: N/A	ECN# DC12-0106	SHEET 2 OF 4

# PUMP, HORIZONTAL

PART NUMBER: 7104977

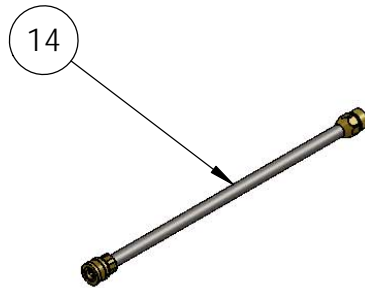


ITEM	PART NO.	DESCRIPTION	QTY
5.1	7104977	PUMP HORIZONTAL 3200PSI @ 2.6GPM TRIPLEX	1
5.2		CAP BLACK VINYL 0.625 ID	1
5.3		INLET GARDEN HOSE FITTING	1
5.4		RELIEF VALVE	1
* 9.1		BOLT, 5/16-24	4
* 9.2		WASHER, SPLIT LOCK 5/16 RUST RESISTANT	4

\* NOT SHOWN



GUN, 3700PSI, 8 GPM, M22 IN, M22(F) OUT  
(PART NO. 7103518)



LANCE, 16" W/1/4 QC AND M22-M  
(PART NUMBER: 7103550)



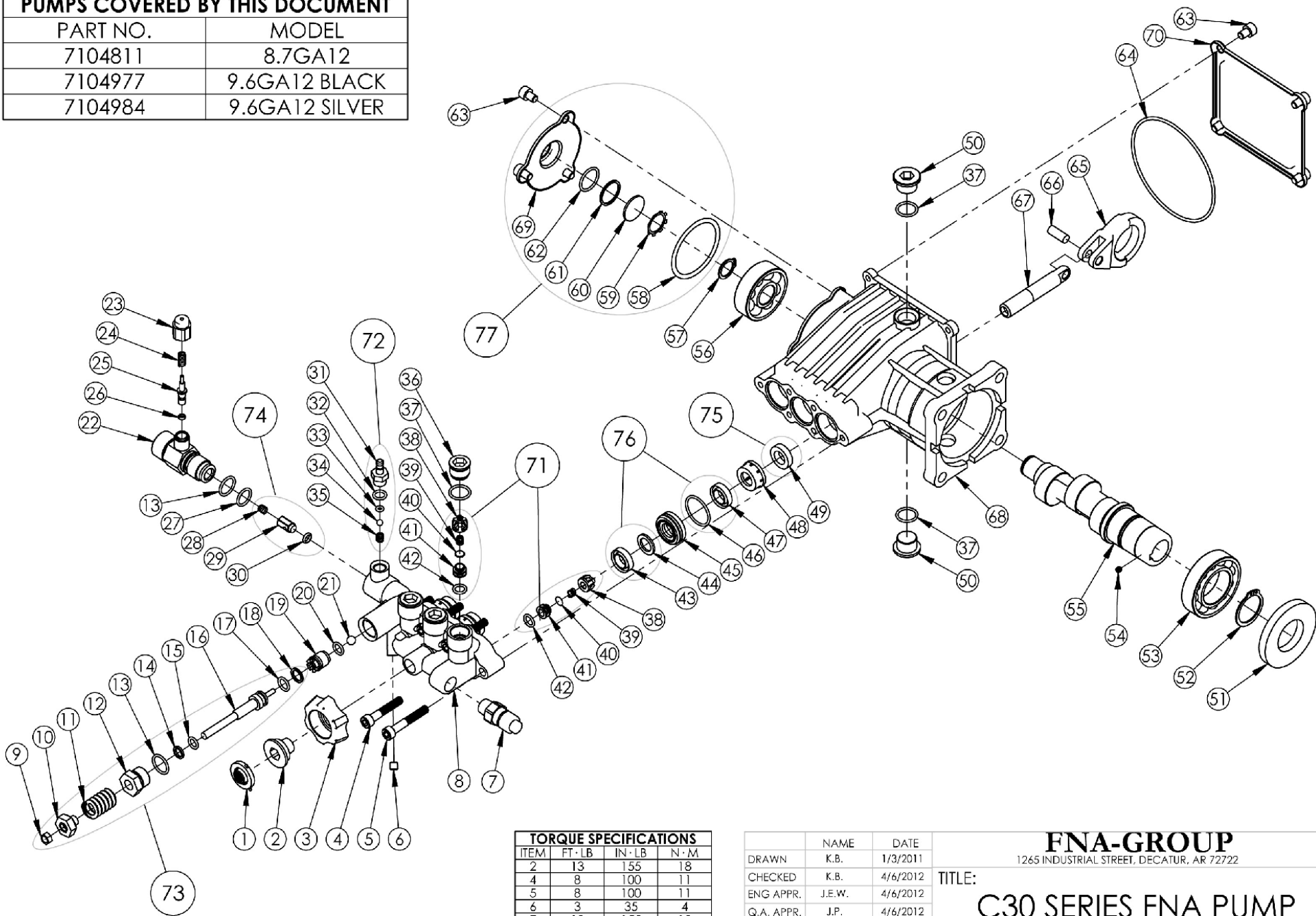
HOSE, 5/16 X 25 X 3200 M22-F X M22-F  
(PART NUMBER: 7104842)



SOAP HOSE KIT  
(PART NUMBER: 7102077)

SIZE	DWG. NO.	REV.
<b>A</b>	60517-S	<b>B</b>
SCALE: N/A	ECN#	DC12-0106
SHEET 4 OF 4		

PUMPS COVERED BY THIS DOCUMENT	
PART NO.	MODEL
7104811	8.7GA12
7104977	9.6GA12 BLACK
7104984	9.6GA12 SILVER



TORQUE SPECIFICATIONS			
ITEM	FT-LB	IN-LB	N·M
2	13	155	18
4	8	100	11
5	8	100	11
6	3	35	4
7	13	155	18
12	13	155	18
22	13	155	18
23	13	155	18
31	9	110	13
36	13	155	18
50	13	155	18
63	7	80	9

	NAME	DATE
DRAWN	K.B.	1/3/2011
CHECKED	K.B.	4/6/2012
ENG APPR.	J.E.W.	4/6/2012
Q.A. APPR.	J.P.	4/6/2012
SVC. APPR.	D.H.	4/6/2012

**PROPRIETARY AND CONFIDENTIAL**  
 THE INFORMATION CONTAINED IN THIS DRAWING IS THE SOLE PROPERTY OF FNA-GROUP. ANY REPRODUCTION IN PART OR AS A WHOLE WITHOUT THE WRITTEN PERMISSION OF FNA-GROUP IS PROHIBITED.

**FNA-GROUP**  
 1265 INDUSTRIAL STREET, DECATUR, AR 72722

**TITLE:**  
 C30 SERIES FNA PUMP

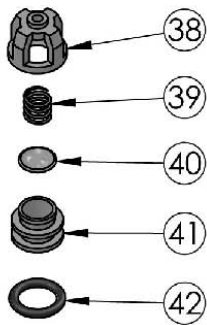
<b>SIZE</b> A	<b>DWG. NO.</b> C30 SERIES PUMP	<b>REV</b> A
<b>ECN #</b> DC12-0037		<b>SHEET 1 OF 5</b>

ITEM	QTY	PART NO.	DESCRIPTION
1	1	7000123	SCREEN, WATER INLET
2	1	7105704	CONNECTOR, WATER INLET
3	1	7105705	NUT, HAND TIGHT
4	3	7000325	SCREW, M6-1.0 X 35 GR 8.8
5	3	7105436	SCREW, M6-1.0 X 40 GR 8.8
6	1	7104692	SCREW, SET M6-1.0 X 8
7	1	7101359	VALVE, THERMAL RELIEF
8	1	7105706	MANIFOLD
9	1	NA	NUT, UNLOADER JAM
10	1	NA	NUT, UNLOADER ADJUSTMENT
11	1	NA	SPRING, UNLOADER
12	1	NA	GUIDE BUSHING, UNLOADER
13	2	7105707	O-RING 13.2 X 1.8
14	1	NA	BACK-UP RING, UNLOADER VALVE
15	1	NA	O-RING, 7.2 X 1.8
16	1	NA	STEM, UNLOADER
17	1	NA	O-RING, 9.0 X 1.8
18	1	NA	BACK-UP RING, SPLIT
19	1	7105708	VALVE SEAT
20	1	7105709	O-RING, 9 X 1.8
21	1	7105710	BALL, UNLOADER VALVE
22	1	7105711	BODY, SOAP INJECTOR
23	1	7105712	CAP, BOOST VALVE
24	1	7105713	SPRING, BOOST VALVE
25	1	7105714	VALVE, PRESSURE BOOST
26	1	7105715	O-RING, 2.5 X 1.8
27	1	7105716	O-RING, 11.8 X 1.8
28	1	NA	SPRING, CHECK VALVE
29	1	NA	CHECK VALVE
30	1	NA	O-RING, 4.5 X 2.65
31	1	NA	FITTING, SOAP INJECTION
32	1	NA	O-RING, 7.5 X 1.8
33	1	NA	O-RING, 3.5 X 1.8
34	1	NA	BALL, 3/16" SOAP VALVE
35	1	NA	SPRING, SOAP VALVE
36	3	7105717	PLUG, MANIFOLD
37	5	7105718	O-RING, 13 X 1.8
38	6	NA	CAGE, VALVE
39	6	NA	SPRING, VALVE
40	6	NA	DISK, VALVE
41	6	NA	SEAT, VALVE
42	6	NA	O-RING, 9 X 1.8
43	3	NA	SEAL, HIGH PRESSURE
44	3	NA	RING, ANTI-EXT
45	3	7105719	RETAINER
46	3	NA	O-RING, 22 X 1.8

ITEM	QTY	PART NO.	DESCRIPTION
47	3	NA	SEAL, LOW PRESSURE
48	3	7105720	RETAINER, SEAL
49	3	NA	SEAL, OIL
50	2	7105721	PLUG, CRANKCASE
51	1	7105722	SEAL, OIL 29.5 X 58 X 8
52	1	7105723	RING, M30 RETAINING
53	1	7105724	BEARING, CRANKSHAFT 6006
54	1	7103426	SCREW, M4-0.7 X 4 GR 8.8
55	-	-	CRANKSHAFTS
	1	7105725	CRANKSHAFT 8.7GA12
	1	7105726	CRANKSHAFT 9.6GA12
56	1	7105727	BEARING, CRANKSHAFT 6303
57	1	7105729	RING, M17 RETAINING
58	1	NA	O-RING, 47.5 X 2.65
59	1	NA	INTERNAL RETAINING RING, SELF LOCKING
60	1	NA	SIGHT GLASS
61	1	NA	BACK-UP RING
62	1	NA	O-RING, 18 X 1.8
63	7	7103437	SCREW, M6-1.0 X 10 GR 8.8
64	1	7105728	O-RING, 90 X 3.5
65	3	7105730	CONNECTING ROD
66	3	7105731	PIN, CONNECTING ROD
67	3	7105732	PISTON, CERAMIC COATED
68	-	-	CRANKCASES
	1	7105733	CRANKCASE, PUMP BLACK
	1	7105734	CRANKCASE, PUMP SILVER
69	-	-	CRANKCASE SIDE COVER
	1	7105735	CRANKCASE SIDE COVER, BLACK
	1	7105736	CRANKCASE SIDE COVER, SILVER
70	-	-	CRANKCASE END COVER
	1	7105737	CRANKCASE END COVER, BLACK
	1	7105738	CRANKCASE END COVER, SILVER
71	6	7104223	VALVE KIT
72	1	7104228	SOAP INJECTOR KIT
73	1	7105739	UNLOADER KIT
74	1	7105740	UNLOADER CHECK VALVE KIT
75	1	7105741	OIL SEAL KIT
76	1	7105742	HIGH AND LOW PRESSURE SEAL KIT
77	-	-	END COVER KITS
	1	7105743	SIDE COVER KIT, BLACK
	1	7105744	SIDE COVER KIT, SILVER
78	1	7105745	MANIFOLD KIT
79	-	-	CRANKCASE KITS
	1	7105746	CRANKCASE KIT, 8.7GA12
	1	7105747	CRANKCASE KIT, 9.6GA12 BLACK
	1	7105748	CRANKCASE KIT, 9.6GA12 SILVER

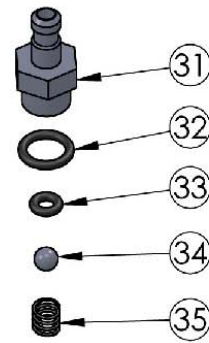
NA - NOT AVAILABLE INDIVIDUALLY, ORDER KIT





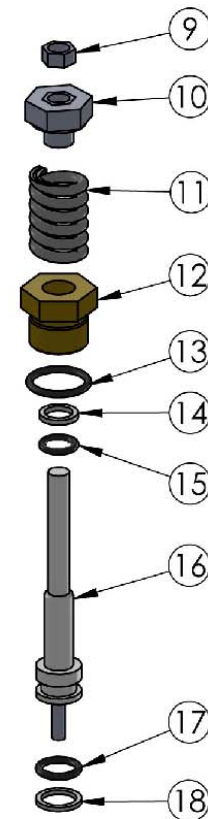
**7104223**  
ITEM 71 VALVE KIT

ITEM	QTY	DESCRIPTION
38	6	CAGE, VALVE
39	6	SPRING, VALVE
40	6	DISK, VALVE
41	6	SEAT, VALVE
42	6	O-RING, 9X1.8



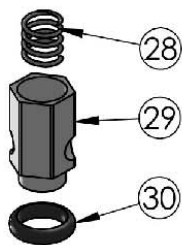
**7104228**  
ITEM 72 SOAP INJECTOR KIT

ITEM	QTY	DESCRIPTION
31	1	FITTING, SOAP INJECTION
32	1	O-RING
33	1	O-RING
34	1	BALL, 3/16" SOAP VALVE
35	1	SPRING, SOAP VALVE



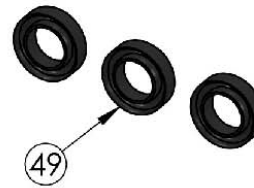
**7105739**  
ITEM 73 UNLOADER KIT

ITEM	QTY	DESCRIPTION
9	1	NUT, UNLOADER JAM
10	1	NUT, UNLOADER ADJUSTMENT
11	1	SPRING, UNLOADER
12	1	GUIDE BUSHING, UNLOADER
13	1	O-RING
14	1	BACK-UP RING, UNLOADER VALVE
15	1	O-RING
16	1	STEM, UNLOADER
17	1	O-RING
18	1	BACK-UP RING, SPLIT



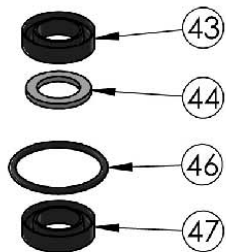
**7105740**  
ITEM 74 UNLOADER CHECK VALVE KIT

ITEM	QTY	DESCRIPTION
28	1	SPRING, CHECK VALVE
29	1	CHECK VALVE
30	1	O-RING



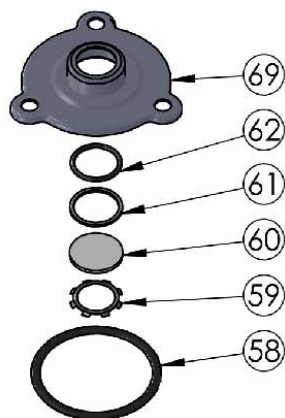
**7105741**  
ITEM 75 OIL SEAL KIT

ITEM	QTY	DESCRIPTION
49	3	SEAL, OIL



**7105742**  
ITEM 76 HIGH AND LOW PRESSURE SEAL KIT

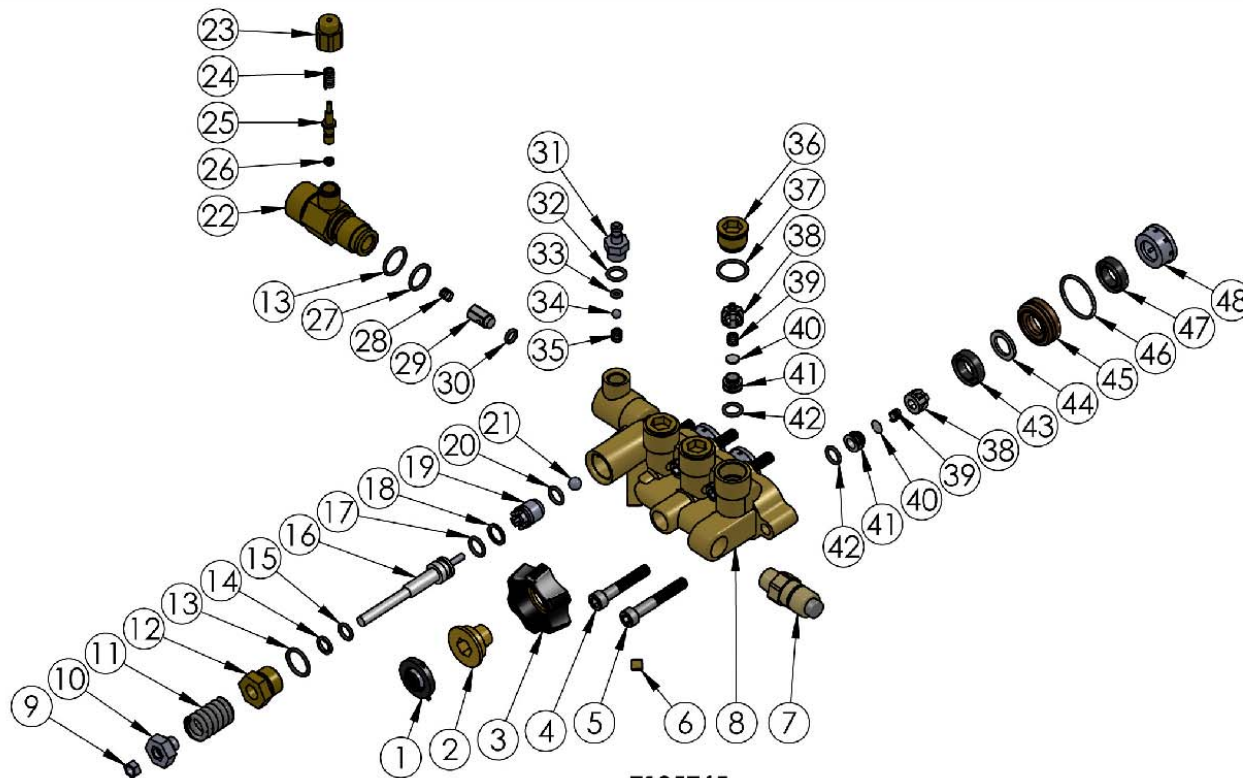
ITEM	QTY	DESCRIPTION
43	3	SEAL, HIGH PRESSURE
44	3	RING, ANTI-EXT
46	3	O-RING, 22X1.8
47	3	SEAL, LOW PRESSURE



ITEM 77 CRANKCASE END COVER KIT

PART NO.	DESCRIPTION
7105743	CRANKCASE SIDE COVER KIT BLACK
7105744	CRANKCASE SIDE COVER KIT SILVER

ITEM	QTY	DESCRIPTION
69	1	COVER, CRANKCASE END
58	1	O-RING, 47.5X2.65
59	1	INTERNAL RETAINING RING, SELF LOCKING
60	1	SIGHT GLASS
61	1	BACK-UP RING
62	1	O-RING, 18 X 1.8

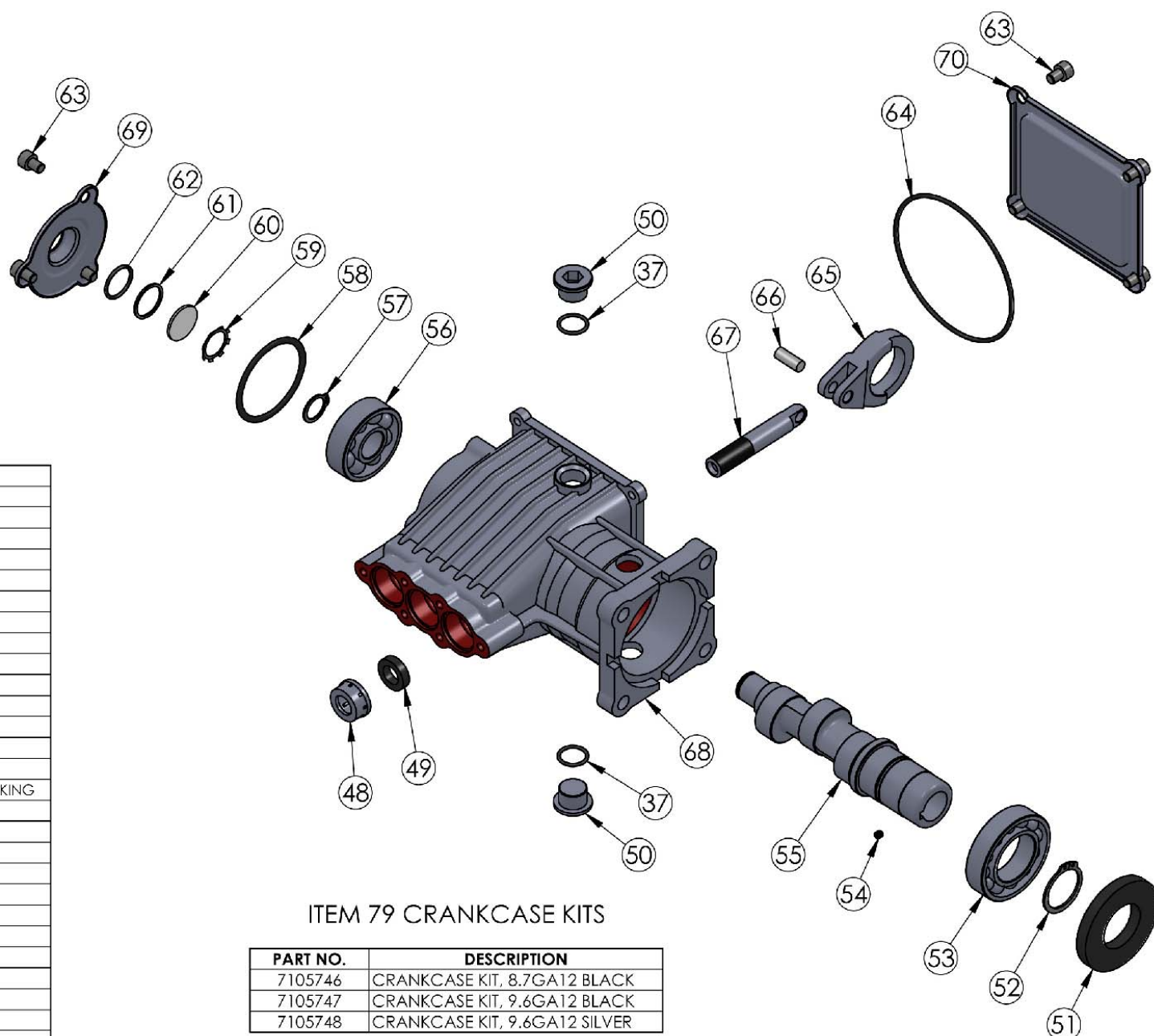


**7105745**  
ITEM 78 MANIFOLD KIT

ITEM	QTY	DESCRIPTION
1	1	SCREEN, WATER INLET
2	1	CONNECTOR, WATER INLET
3	1	NUT, HAND TIGHT
4	3	SCREW, M6-1.0 X 35 GR 8.8
5	3	SCREW, M6-1.0 X 40 GR 8.8
6	1	SCREW, SET
7	1	VALVE, THERMAL RELIEF
8	1	MANIFOLD
9	1	NUT, UNLOADER JAM
10	1	NUT, UNLOADER ADJUSTMENT
11	1	SPRING, UNLOADER
12	1	GUIDE BUSHING, UNLOADER
13	2	O-RING
14	1	BACK-UP RING, UNLOADER VALVE
15	1	O-RING, 7.2 X 1.8
16	1	STEM, UNLOADER
17	1	O-RING, 9.0 X 1.8
18	1	BACK-UP RING, SPLIT
19	1	VALVE SEAT
20	1	O-RING, 9X1.8
21	1	BALL, UNLOADER VALVE
22	1	BODY, SOAP INJECTOR
23	1	CAP, BOOST VALVE
24	1	SPRING, BOOST VALVE

ITEM	QTY	DESCRIPTION
25	1	VALVE, PRESSURE BOOST
26	1	O-RING, 2.5X1.8
27	1	O-RING
28	1	SPRING, CHECK VALVE
29	1	CHECK VALVE
30	1	O-RING, 4.5X2.65
31	1	FITTING, SOAP INJECTION
32	1	O-RING, 7.68X1.78
33	1	O-RING, 3.68X 1.78
34	1	BALL, 3/16" SOAP VALVE
35	1	SPRING, SOAP VALVE
36	3	PLUG, MANIFOLD
37	3	O-RING, 13X1.8
38	6	CAGE, VALVE
39	6	SPRING, VALVE
40	6	DISK, VALVE
41	6	SEAT, VALVE
42	6	O-RING, 9X1.8
43	3	SEAL, HIGH PRESSURE
44	3	RING, ANTI-EXT
45	3	RETAINER
46	3	O-RING, 22X1.8
47	3	SEAL, LOW PRESSURE
48	3	RETAINER, SEAL





ITEM 79 CRANKCASE KITS

ITEM	QTY	DESCRIPTION
37	2	O-RING, 13X1.8
48	3	RETAINER, SEAL
49	3	SEAL, OIL
50	2	PLUG, CRANKCASE
51	1	SEAL, OIL 29.5X58X8
52	1	RING, M30 RETAINING
53	1	BEARING, CRANKSHAFT 6006
54	1	SCREW, M4-0.7 X 4
55	-	CRANKSHAFT
	1	CRANKSHAFT 8.7GA12
	1	CRANKSHAFT 9.6GA12
56	1	BEARING, CRANKSHAFT 6303
57	1	RING, M17 RETAINING
58	1	O-RING, 47.5X2.65
59	1	INTERNAL RETAINING RING, SELF LOCKING
60	1	SIGHT GLASS
61	1	BACK-UP RING
62	1	O-RING, 18 X 1.8
63	7	SCREW, M6x10
64	1	O-RING, 90X3.55
65	3	CONNECTING ROD
66	3	PIN, CONNECTING ROD
67	3	PISTON, CERAMIC COATED
68	-	CRANKCASE
	1	CRANKCASE, BLACK
	1	CRANKCASE, SILVER
69	-	CRANKCASE END COVER
	1	CRANKCASE END COVER, BLACK
	1	CRANKCASE END COVER, SILVER
70	-	CRANKCASE SIDE COVER
	1	CRANKCASE SIDE COVER, BLACK
	1	CRANKCASE SIDE COVER, SILVER

PART NO.	DESCRIPTION
7105746	CRANKCASE KIT, 8.7GA12 BLACK
7105747	CRANKCASE KIT, 9.6GA12 BLACK
7105748	CRANKCASE KIT, 9.6GA12 SILVER