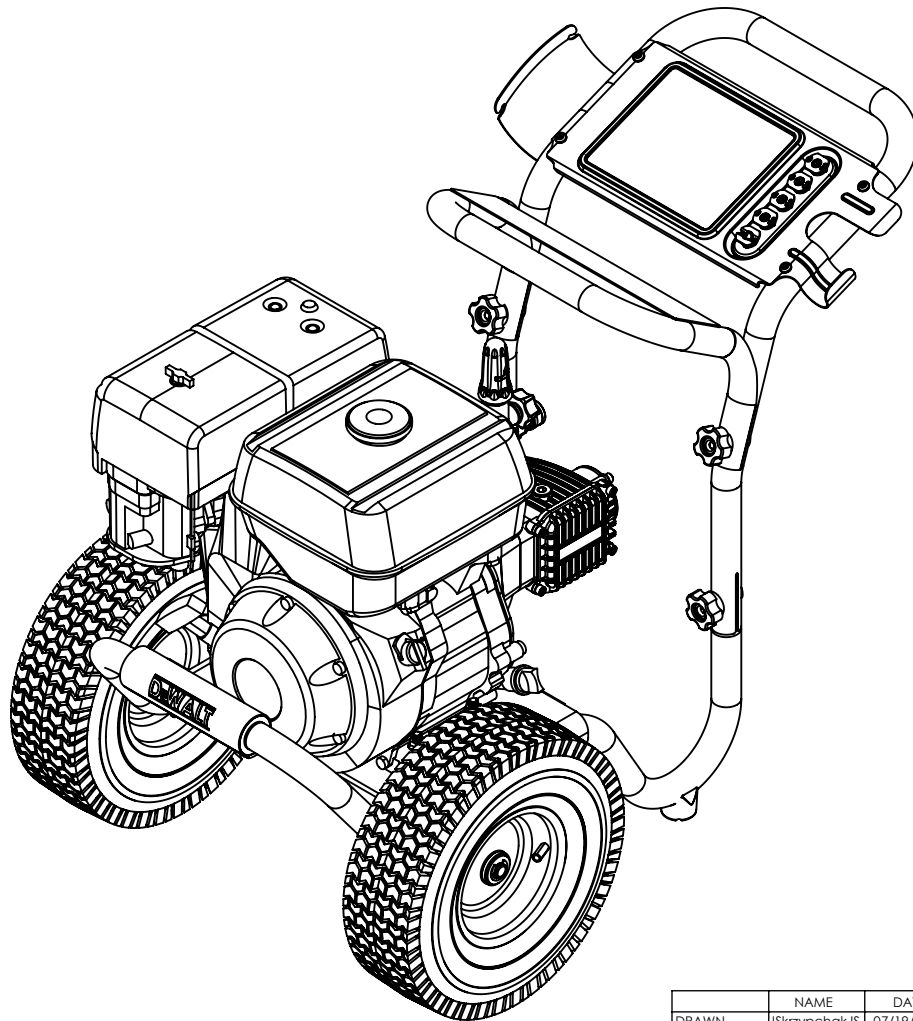
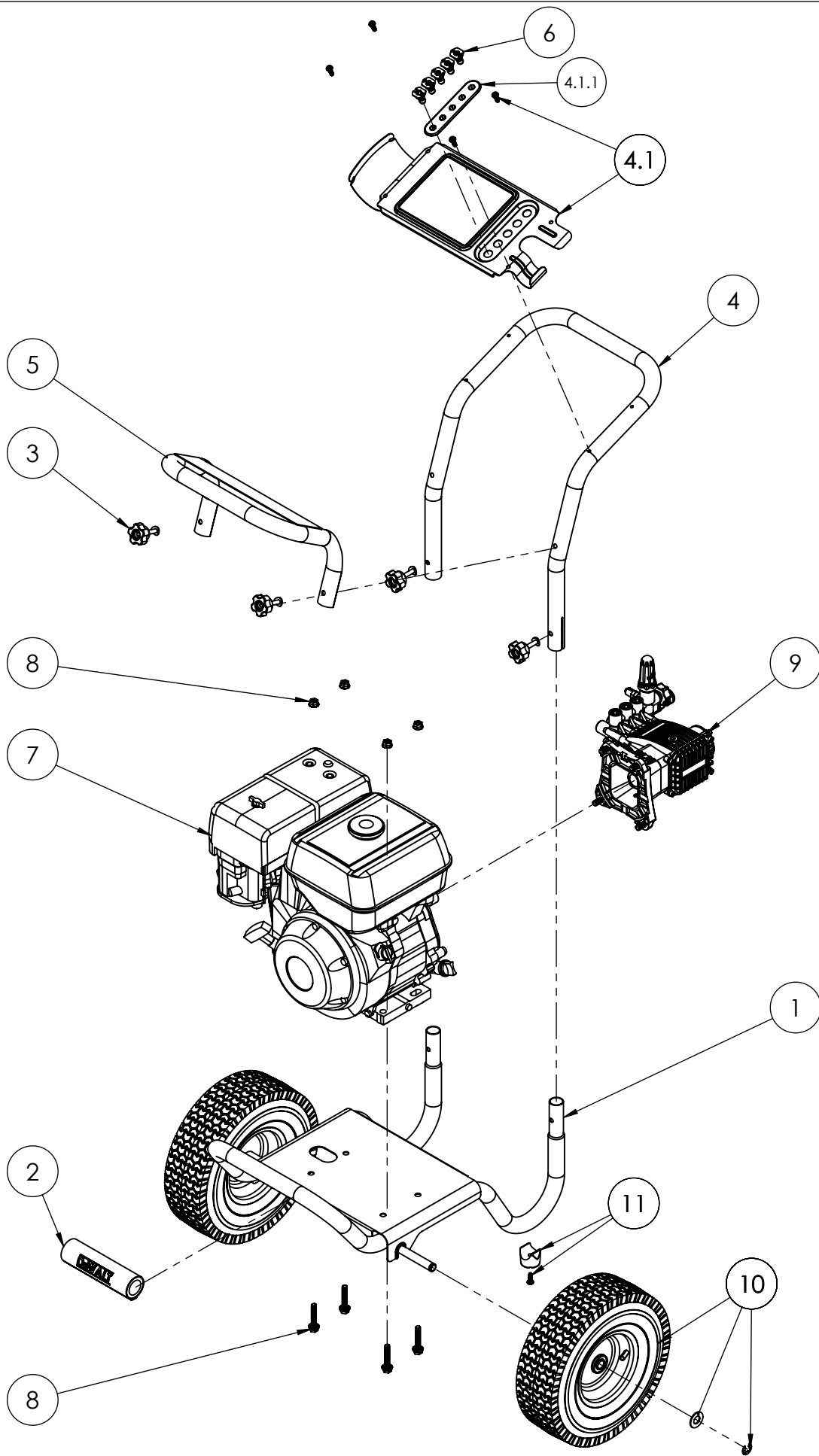


| ITEM  | PART NO | QTY. | DESCRIPTION                              |
|-------|---------|------|------------------------------------------|
| 1     | 7110018 | 1    | FRAME, BASE ASSY, 13.25" C-C, FLAT BLACK |
| 2     | 7104641 | 1    | HANDLE GRIP, VINYL COVER DEWALT          |
| 3     | 7107941 | 4    | KNOB-BOLT ASSEMBLY                       |
| 4     | 7111349 | 1    | HANDLE SVC ASSY, 60895                   |
| 4.1   | 7111348 | 1    | DASHBOARD SVC ASSY, 60895                |
| 4.1.1 | 7103161 | 1    | NOZZLE HOLDER, 5PC RUBBER                |
| 5     | 7111347 | 1    | QUICK START HANDLE ASSY, DEWALT          |
| 6     | 7100634 | 1    | NOZZLE SET 3.5 5PC 1/4 QC-M              |
| 7     | 7111346 | 1    | ENGINE, SVC ASSY HONDA GX270 W/LABELS    |
| 8     | 7103277 | 1    | HARDWARE KIT, ENGINE MOUNTING            |
| 9     | 90038   | 1    | PUMP KIT, 10.0GA13 (530010)              |
| 10    | 7105376 | 2    | KIT, 13" WHEEL SERVICE                   |
| 11    | 7105468 | 2    | FOOT, SVC KIT FITTED RUBBER AND SCREW    |



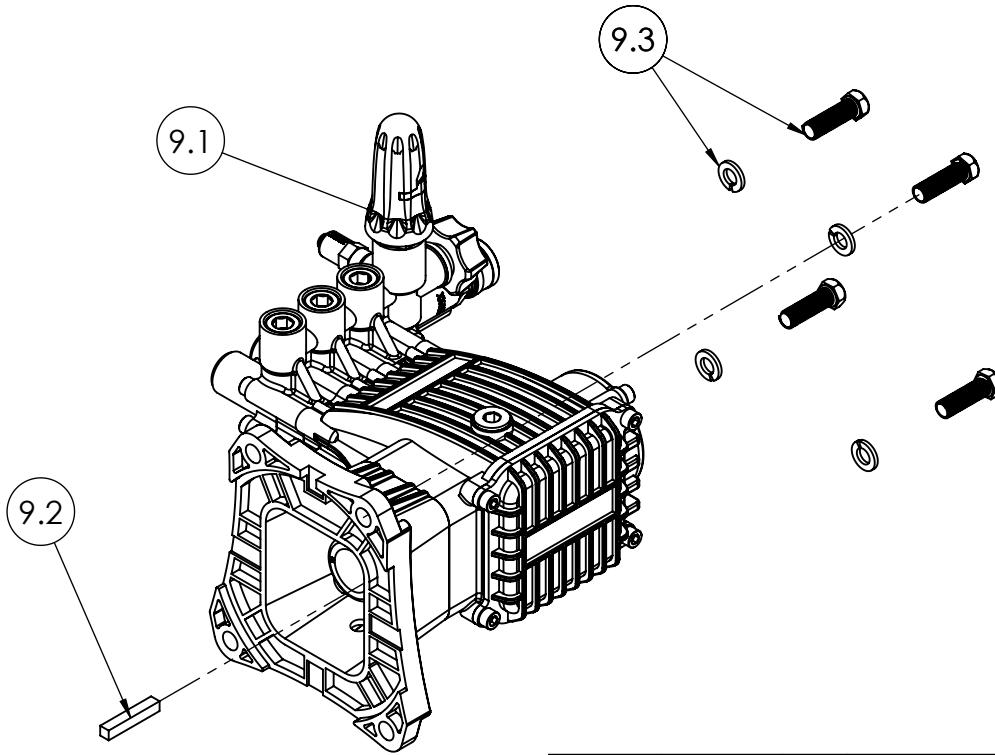
| NAME                                                                                                                                                                                                                  |               | DATE        | FNA-GROUP                                     |                |              |
|-----------------------------------------------------------------------------------------------------------------------------------------------------------------------------------------------------------------------|---------------|-------------|-----------------------------------------------|----------------|--------------|
| DRAWN                                                                                                                                                                                                                 | JSkrzypchakJS | 07/19/2018- | 71 52 99th Street, Pleasant Prairie, WI 53158 |                |              |
| CHECKED                                                                                                                                                                                                               | -             | -           | TITLE:                                        |                |              |
| ENG APPR.                                                                                                                                                                                                             | -             | -           | DEWALT DXPW4035<br>4000PSI @ 3.5GPM           |                |              |
| MFG APPR.                                                                                                                                                                                                             | -             | -           |                                               |                |              |
| Q.A. APPR.                                                                                                                                                                                                            | -             | -           |                                               |                |              |
| SERVICE APPR.                                                                                                                                                                                                         | -             | -           |                                               |                |              |
| <b>PROPRIETARY AND CONFIDENTIAL</b><br>THE INFORMATION CONTAINED IN THIS DRAWING IS THE SOLE PROPERTY OF FNA-GROUP. ANY REPRODUCTION IN PART OR AS A WHOLE WITHOUT THE WRITTEN PERMISSION OF FNA-GROUP IS PROHIBITED. |               |             | SIZE                                          | DWG. NO.       | REV.         |
|                                                                                                                                                                                                                       |               |             | <b>A</b>                                      | <b>60895-S</b> | <b>A</b>     |
|                                                                                                                                                                                                                       |               |             | SCALE: N/A                                    | ECN# EC180453  | SHEET 1 OF 3 |



|            |                |              |
|------------|----------------|--------------|
| SIZE       | DWG. NO.       | REV.         |
| <b>A</b>   | <b>60895-S</b> | <b>A</b>     |
| SCALE: N/A | WEIGHT: 46.734 | SHEET 2 OF 3 |

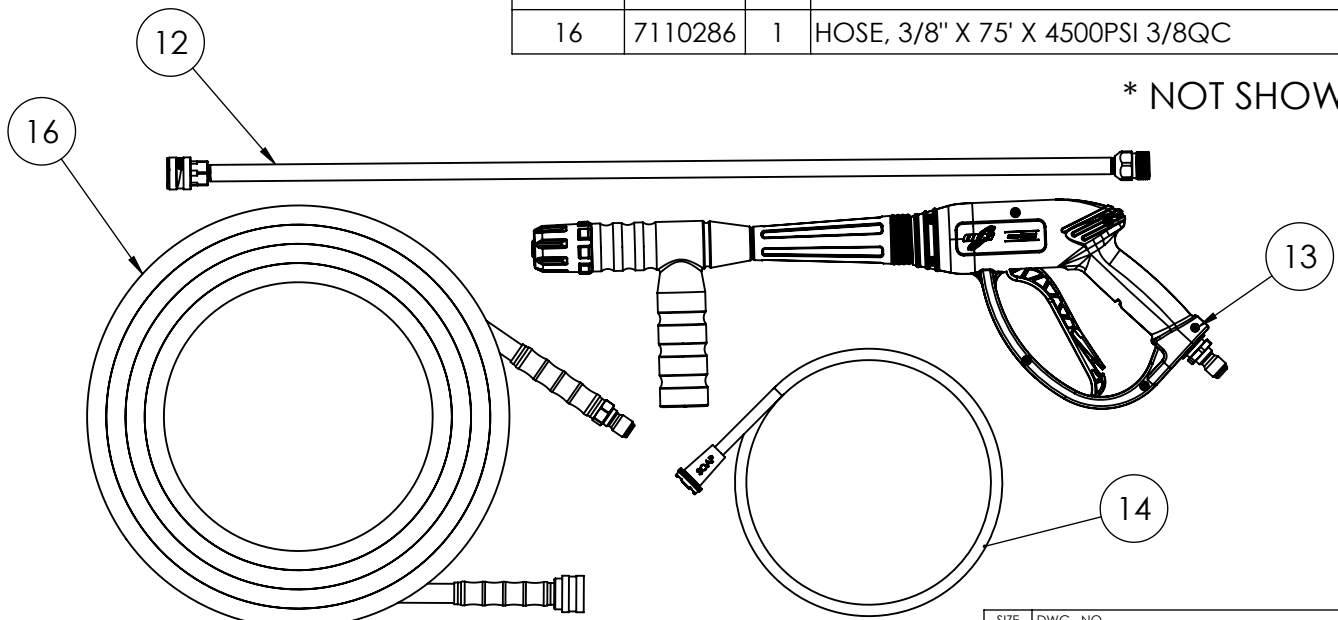
| ITEM | PART NO | QTY. | DESCRIPTION                           |
|------|---------|------|---------------------------------------|
| *    | 9       | 1    | PUMP KIT, 10.0GA13 (530010)           |
|      | 9.1     | 1    | PUMP, C41 SERIES, HORZ TRIPLEX, 13X10 |
|      | 9.2     | 1    | KEY, SHAFT 1/4" X 1/4" X 1-1/2"       |
|      | 9.3     | 1    | KIT, PUMP MOUNTING HARDWARE           |

\*THIS ITEM NOT TO BE USED FOR WARRANTY\*



| ITEM | PART NO | QTY. | DESCRIPTION                               |
|------|---------|------|-------------------------------------------|
|      | 12      | 1    | LANCE, 31" 1/4"QC-F x M22(M)              |
|      | 13      | 1    | GUN, 4500PSI 6.6GPM, 3/8QC(M) W/SIDE HNDL |
|      | 14      | 1    | KIT, SVC ASSY SOAP HOSE W/PLASTIC FILTER  |
| *    | 15      | 1    | TOOL, NOZZLE CLEANING, UNIVERSAL          |
|      | 16      | 1    | HOSE, 3/8" X 75' X 4500PSI 3/8QC          |

\* NOT SHOWN

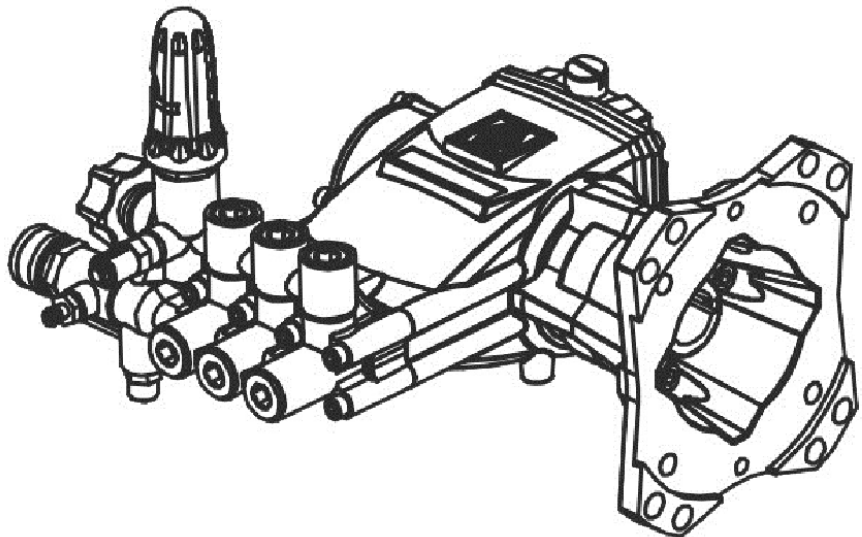
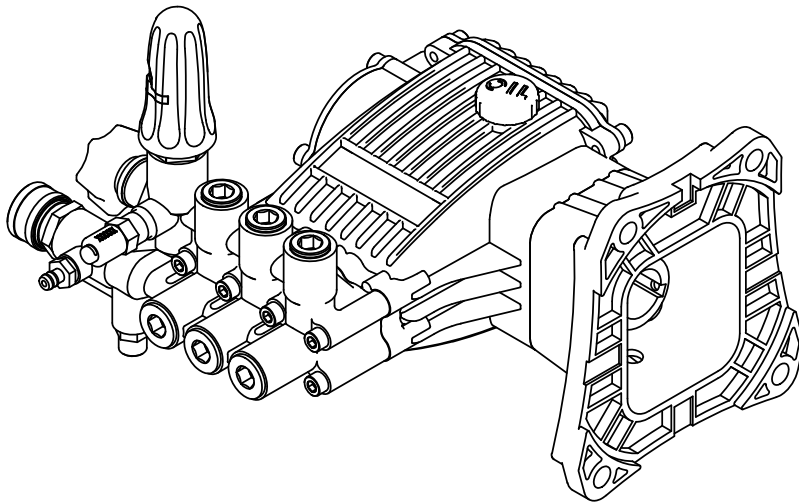


|            |          |              |
|------------|----------|--------------|
| SIZE       | DWG. NO. | REV.         |
| <b>A</b>   | 60895-S  | <b>A</b>     |
| SCALE: N/A | ECN# -   | SHEET 3 OF 3 |

# OEM 41&42 SERIES PUMP IPL

PUMPS COVERED IN THIS IPL

530010 (53BRD35)



|               | NAME   | DATE     |
|---------------|--------|----------|
| DRAWN         | JHS    | AUG 2017 |
| CHECKED       | DH/OSW | AUG 2017 |
| ENG APPR.     | OSW    | AUG 2017 |
| MFG APPR.     | -      | -        |
| Q.A. APPR.    | -      | -        |
| SERVICE APPR. | DH     | AUG 2017 |

**PROPRIETARY AND CONFIDENTIAL**  
 THE INFORMATION CONTAINED IN THIS DRAWING IS THE SOLE PROPERTY OF FNA-GROUP. ANY REPRODUCTION IN PART OR AS A WHOLE WITHOUT THE WRITTEN PERMISSION OF FNA-GROUP IS PROHIBITED.

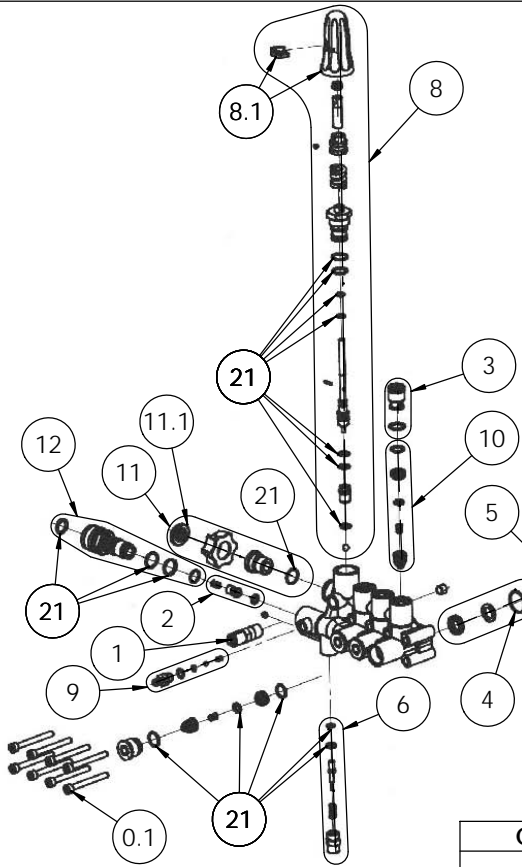
## FNA-GROUP

1265 INDUSTRIAL STREET, DECATUR, AR 72722

TITLE:

C41, C42 SERIES PUMP,  
 HORIZONTAL

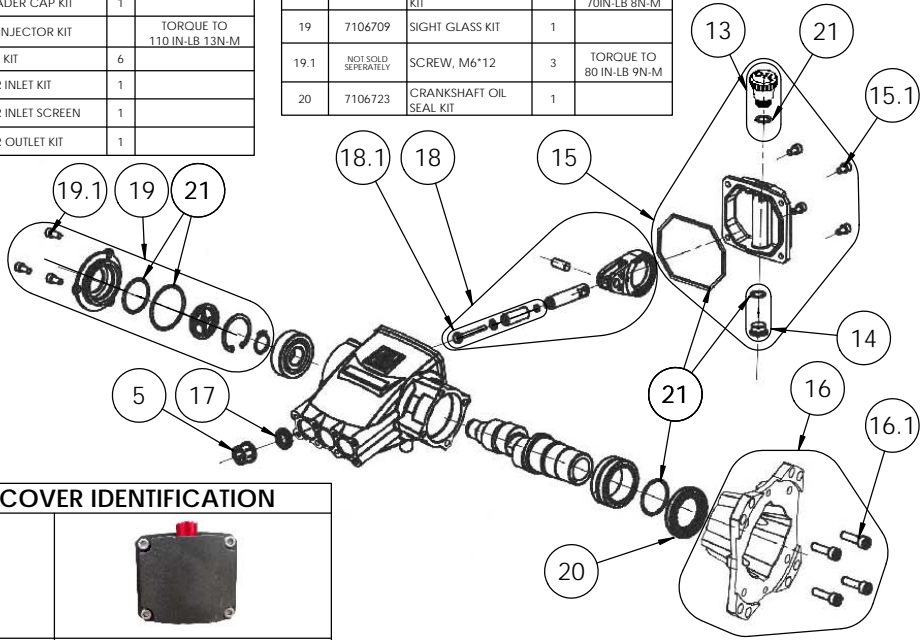
|            |               |              |
|------------|---------------|--------------|
| SIZE       | DWG. NO.      | REV.         |
| <b>A</b>   | 530010-C      | <b>C</b>     |
| SCALE: N/A | ECN# EC180251 | SHEET 1 OF 2 |



| MANIFOLD KIT P/N 7108752 |                     |                      |     |                                       |
|--------------------------|---------------------|----------------------|-----|---------------------------------------|
| ITEM                     | PART NO.            | DESCRIPTION          | QTY | COMMENT                               |
| 0.1                      | NOT SOLD SEPARATELY | SCREW, M6*55         | 8   | TORQUE TO 106 IN-LB 12N-M             |
| 1                        | 7101359             | THERMAL RELIEF VALVE | 1   | TORQUE TO 159 IN-LB 18N-M             |
| 2                        | 7110139             | CHECK VALVE KIT      | 1   |                                       |
| 3                        | 7110140             | VALVE CAP KIT        | 6   | 1 KIT REQ'D TORQUE TO 177 IN-LB 20N-M |
| 4                        | 7110142             | SEAL RETAINER KIT    | 3   |                                       |
| 5                        | 7110144             | SEAL SPACER KIT      | 3   |                                       |
| 6                        | 7106628             | KIT, BOOST VALVE     | 1   | TORQUE TO 159 IN-LB 18N-M             |
| 7                        | 7106733             | WATER SEAL KIT       | 3   |                                       |
| 8                        | 7108747             | UNLOADER KIT         | 1   |                                       |
| 8.1                      | 7109325             | UNLOADER CAP KIT     | 1   |                                       |
| 9                        | 7104228             | SOAP INJECTOR KIT    |     | TORQUE TO 110 IN-LB 13N-M             |
| 10                       | 7108750             | VALVE KIT            | 6   |                                       |
| 11                       | 7110330             | WATER INLET KIT      | 1   |                                       |
| 11.1                     | 7000123             | WATER INLET SCREEN   | 1   |                                       |
| 12                       | 7110331             | WATER OUTLET KIT     | 1   |                                       |

| CRANKCASE KIT P/N 7110147 |                     |                           |     |                           |
|---------------------------|---------------------|---------------------------|-----|---------------------------|
| ITEM                      | PART NO.            | DESCRIPTION               | QTY | COMMENT                   |
| 13                        |                     | OIL BREATHER KIT          | 1   |                           |
| 14                        |                     | OIL PLUG KIT              | 1   | TORQUE TO 159 IN-LB 18N-M |
| 15                        |                     | REAR CRANK COVER KIT      | 1   |                           |
| 15.1                      | SEE ID TABLE BELOW  | SCREW, M6*12              | 4   | TORQUE TO 80 IN-LB 9N-M   |
| 16                        |                     | MOUNTING FLANGE KIT       |     |                           |
| 16.1                      |                     | SCREW, M8X30              | 4   | TORQUE TO 221 IN-LB 25N-M |
| 17                        | 7105741             | OIL SEAL SET              | 1   |                           |
| 18                        | 7110150             | CONNECTING ROD/PISTON KIT | 1   |                           |
| 18.1                      | 7110828             | CERAMIC PLUNGER KIT       | 3   | TORQUE TO 70 IN-LB 8N-M   |
| 19                        | 7106709             | SIGHT GLASS KIT           | 1   |                           |
| 19.1                      | NOT SOLD SEPARATELY | SCREW, M6*12              | 3   | TORQUE TO 80 IN-LB 9N-M   |
| 20                        | 7106723             | CRANKSHAFT OIL SEAL KIT   | 1   |                           |

| MISC. PARTS |          |                     |
|-------------|----------|---------------------|
| ITEM        | PART NO. | DESCRIPTION         |
| 21          | 7110146  | ORING KIT, COMPLETE |



| CRANKCASE COVER IDENTIFICATION                                                              |                         |
|---------------------------------------------------------------------------------------------|-------------------------|
|                                                                                             |                         |
| COVER KIT P/N: 7110141                                                                      | COVER KIT P/N: 7110102  |
| VENT CAP P/N: 7108868                                                                       | VENT CAP P/N: 7111013   |
| OIL PLUG P/N: 7110127                                                                       | OIL PLUG P/N: 7111014   |
| FLANGE KIT P/N: 7111016                                                                     | FLANGE KIT P/N: 7111015 |
| CRANKCASE COVERS ARE NOT INTERCHANGEABLE BOTH TYPES OF SEAL INCLUDED IN ORING KIT (7110146) |                         |

|        |          |               |
|--------|----------|---------------|
| SIZE   | DWG. NO. | REV.          |
| A      | 530010   | C             |
| SCALE: | N/A      | ECN# EC180251 |
|        |          | SHEET 2 OF 2  |