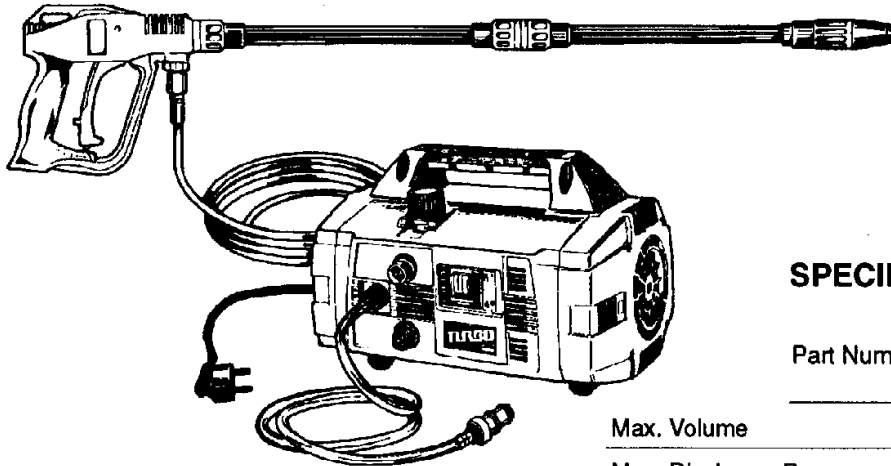


HIGH-PRESSURE WASHER

This portable high-pressure washer makes the toughest clean-up tasks faster and easier. Weighing only 43 pounds, you can take it virtually anywhere. Ideal for light industrial applications and home owners to wash the car, the boat, the pool and patio. Use it to clean rain gutters, driveways, lawn equipment and recreational vehicles.

Each unit comes complete with a 26-foot high-pressure hose, gun and lance with variable spray nozzle (up to 45°), adjustable pressure regulator and low-pressure soap injection system.



Easy to carry – easy to use. Just remove the travel plug, attach to a garden hose, and plug into a standard 110V-15 amp circuit. Then you're ready to wash your troubles away.

SPECIFICATIONS

Part Number:	PU1021 Turbo 21 Boxjet with Multireg
Max. Volume	2.1 GPM
Max. Discharge Pressure	1000 PSI
Single-Phase Motor Power	1.5 HP
Motor Protector	Current Thermal Overload
Motor Protection Grade	ISO IP55
Max Inlet Water Temperature	140°F
Maximum Suction Depth	3.3 ft.
Hose Length	26 ft.
Cord Length	7 ft. Optional 35 ft. GFCI Cord Available U.L. Approved
Weight	42.8 lbs.
Oil Capacity	12 oz.
Oil type	General Pump Series 100 Oil #100214 6-pack or #100216 24-pack
Dimensions	14.2 x 9.7 x 9.4 in.

WARRANTY

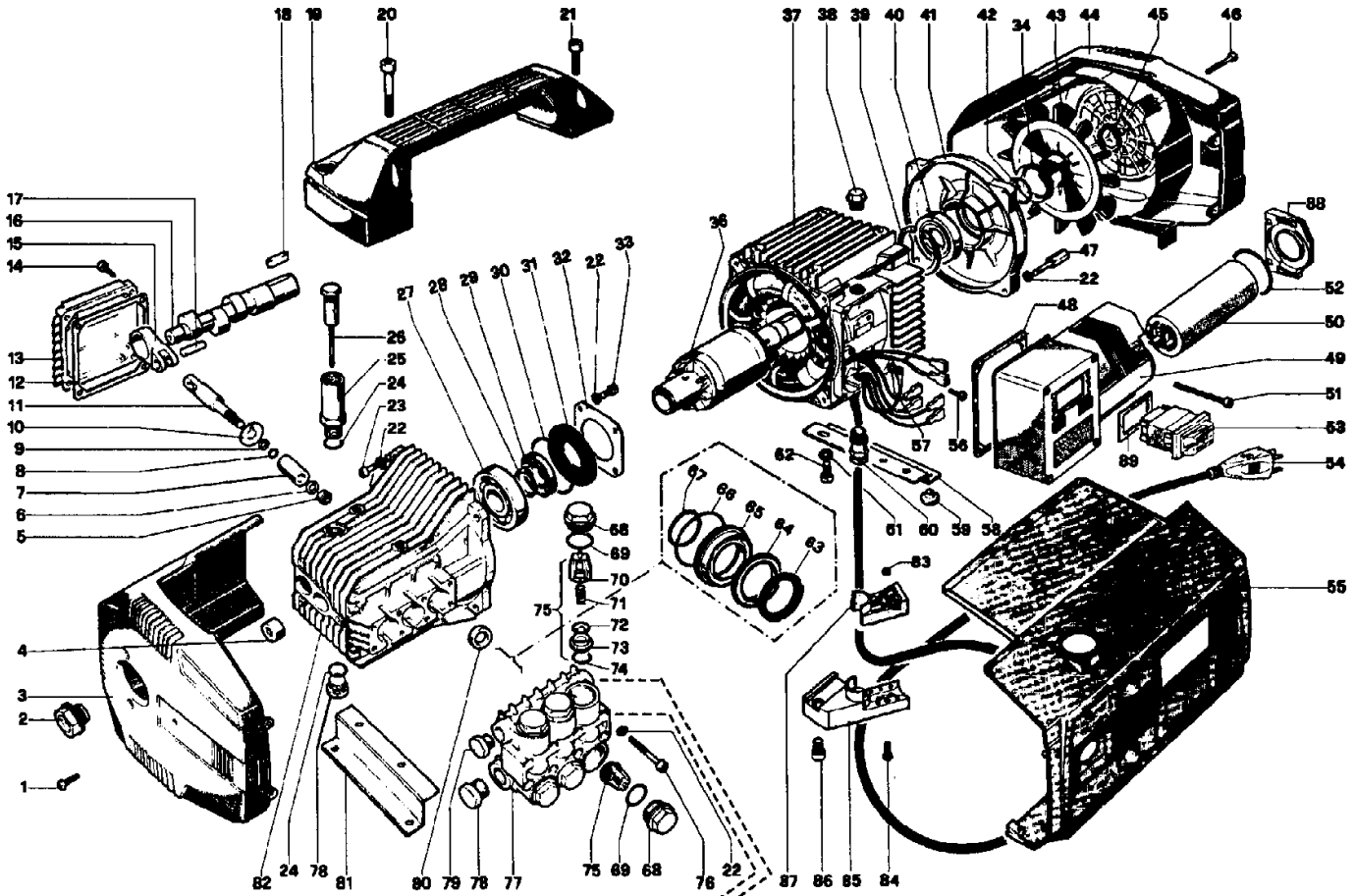
This GENERAL PUMP product is warranted by the manufacturer to the original purchaser to be free from defects in material and workmanship under normal use and service. "Normal use and service" means not in excess of the recommended maximum speeds, pressures, and temperatures or handling fluids not compatible with component materials. This warranty shall not apply to any pump which has been repaired or altered to affect the performance or reliability of the pump.

Warranty does not apply to a) freight damage, b) freezing damage, c) damage caused by parts and/or accessories not obtained from or approved by GENERAL PUMP, d) damage caused by misuse and/or misapplication, e) normal wear of moving parts or components affected by moving parts.

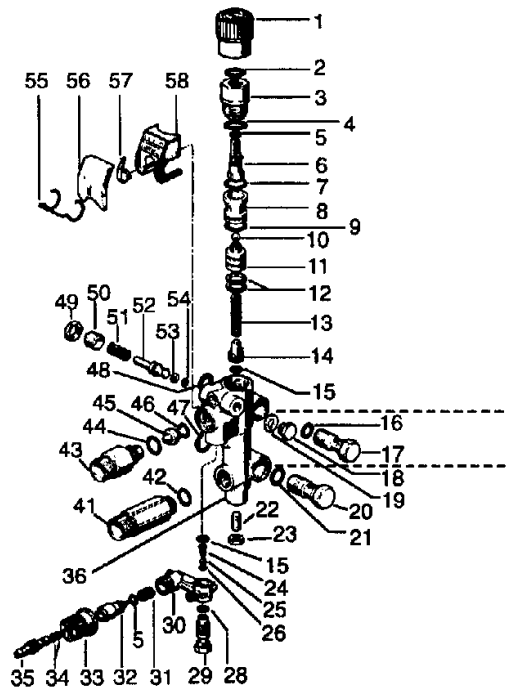
Period of warranty shall be one year from date product is shipped from manufacturer's factory. Liability of manufacturer under the foregoing warranty is limited to **repair or replacement** at the option of manufacturer of that product, which according to the manufacturer's investigation was deemed defective at time of shipment. This warranty is in lieu of all other warranties, expressed or implied, including any warranty of merchantability and/or any and all other obligations or liabilities on the part of the manufacturers.



TURBO 21 BOXJET



ZOKR1 UNLOADER



ITEM	PART NO	DESCRIPTION	KIT	QTY.	ITEM	PART NO	DESCRIPTION	KIT	QTY.
1.	36.2583.51	Knob, Adjusting	1		26.	90.3572.00	O-Ring, 208 x .070	94	1
2.	90.3835.00	O-Ring, .594 x .103	95	1	28.	90.3585.00	O-Ring, .426 x .070	94	1
3.	36.2556.70	Screw, Pressure Adjusting	1		29.	36.2563.70	Seat, Valve		1
4.	90.3847.00	O-Ring, .797 x .103	95	1	30.	36.2562.51	Body, Chemical Injector		1
5.	90.3580.00	O-Ring, .344 x .070	94,95	2	31.	94.7383.00	Spring, .384 x .394	94	1
6.	36.2574.02	Piston, Unloader		1	32.	36.2564.70	Needle, Valve		1
7.	90.3598.00	O-Ring, .801 x .070	95	1	33.	36.2565.51	Knob, Adjusting		1
8.	36.2554.66	Seat, Valve	95	1	34.	90.3570.00	O-Ring, .176 x .070	94	2
9.	90.3596.00	O-Ring, .739 x .070	95	1	35.	36.2566.70	Hose Barb		1
10.	97.4802.00	Ball, 9/32"	95	1	36.	36.2582.41	Body, Valve		1
11.	36.2572.70	Piston, .089		1	41.	36.2584.70	Nipple, Inlet, 1/2 NPT		1
12.	90.5080.00	Ring, Back-up	95	2	42.	90.3591.00	O-Ring, .551 x .070	95	1
13.	94.7344.00	Spring, .295 x 1.575	95	1	43.	10.0318.70	Nipple, Outlet, 3/8 NPT		1
14.	36.2552.70	Support, Spring		1	44.	90.3832.00	O-Ring, .549 x .103	94	1
15.	90.3582.00	O-Ring, .364 x .070	94,95	2	45.	10.0307.51	Nozzle, .071		1
16.	90.3820.00	O-Ring, .359 x .103	95	1	46.	90.3822.00	O-Ring, .391 x .103	94	1
17.	36.2567.70	Fitting, Banjo, 3/8-19 BSPP		1	47.	90.3839.00	O-Ring, .625 x .103	95	1
18.	98.1966.00	Plug, Hex Head, 1/8-28 BSPP		1	48.	90.3833.00	O-Ring, .549 x .103	95	1
19.	96.7100.00	Washer, Flat, .394 x .551 x .059		1	49.	92.2492.00	Nut, Jam, M14		1
20.	36.2568.70	Fitting, Banjo, 3/8-19 BSPP		1	50.	36.2580.70	Screw, Adjusting, M14 x 1		1
21.	90.3827.00	O-Ring, .469 x .103	95	1	51.	94.7338.00	Spring, .283 x .709		1
22.	99.3054.00	Screw, Set, Socket Headless, M8 x 20		1	52.	36.2579.70	Piston, Gauge		1
23.	92.2218.00	Nut, Jam, M8		1	53.	90.5007.00	Ring, Back-up	95	1
24.	94.8217.00	Spring, Conical, .169 x .287 x .433	94	1	54.	90.3568.00	O-Ring, .145 x .070	95	1
25.	97.4782.00	Ball, 7/32"	94	1	55.	94.8718.00	Clip, Spring		1
					56.	36.2577.51	Cover, Gauge		1
					57.	36.2578.51	Needle, Gauge		1
					58.	36.2588.01	Face, Gauge		1

Kit No.	94	95
Items In Kit	5,15,24,25,26, 28,31,34,44,46	2,4,5,7,8,9,10,12,13,15, 16,21,42,47,48,53,54
Number of Assemblies In Kit	1	1

ITEM PART NO.	DESCRIPTION	KIT	QTY.	ITEM PART NO.	DESCRIPTION	KIT	QTY.	ITEM PART NO.	DESCRIPTION	KIT	QTY.
1. 99.1570.00	Screw, M5x16		6	34. 90.1652.00	Seat, Oil		1	68. 98.2218.00	Plug, Valve, M24	84	6
2. 97.5968.00	Indicator, Oil		1	36. 41.3407.02	Rotor		1	69. 90.3847.00	O-Ring	84	6
3. 51.2301.51	Cover		1	37. 41.3286.02	Housing		1	70. 36.2002.51	Guide, Valve	1	6
4. 91.8014.00	Bearing, Needle		1	38. 98.2093.00	Plug, 3/8-19 BSPP, Plastic, Black		1	71. 94.7376.00	Spring	1	6
5. 92.2216.00	Nut, M8, SS		3	39. 90.0795.00	Ring, Ø52mm		1	72. 36.2001.76	Plate, Valve	1	6
6. 96.7008.00	Washer, M8		3	40. 91.8323.00	Bearing, Ball		1	73. 36.2003.66	Seat, Valve	1	6
7. 51.0400.09	Piston, Ø15mm		3	41. 41.0700.22	Cover, Rear Motor		1	74. 90.3841.00	O-Ring, .674 x .103	1	6
8. 90.3572.00	O-Ring, .208 x .070		3	42. 90.3857.00	O-Ring, .937 x .103		1	75. 36.7032.01	Unit, Valve	1	6
9. 90.5022.00	Ring, Back-up, 6.2 x 9 x 1.5 mm		3	43. 41.0300.51	Fan, Motor		1	76. 99.1943.00	Screw, M6x40		8
10. 96.7070.00	Washer, M9		3	44. 51.2300.51	Cover, Motor		1	77. 51.1200.22	Manifold - Aluminum		1
11. 51.0500.56	Guide, Piston		3	45. 90.0628.00	Clip, Retainer		1	51.1200.41	Manifold - Brass		
12. 51.2101.84	Cover, Gasket		1	46. 99.1658.00	Screw, M5x45		4	78. 98.2100.00	Cap, 3/8-19 BSPP		2
13. 51.1603.22	Cover, Crankcase		1	47. 41.2104.65	Screw		4	79. 98.2041.00	Cap, 1/4-14 BSPP		1
14. 99.1867.00	Screw, M6x18		4	48. 41.2101.47	Gasket		1	80. 90.1565.00	Seat, Oil	83	3
15. 51.0300.22	Rod, Connecting		3	49. 41.2124.51	Cover, Switchbox		1	81. 51.2002.74	Rail, Mounting, Pump Side		1
16. 51.0204.35	Crankshaft		1	50. 93.5688.00	Capacitor		1	82. 51.0103.22	Crankcase		1
17. 97.7310.00	Pin, Connecting Rod		3	51. 99.1705.00	Screw, M5x65		4	83. 92.1926.00	Nut, M4		2
18. 91.4878.00	Key		1	52. 90.3885.00	O-Ring, 1.799 x .103		1	84. 99.1306.00	Screw, M4x16		2
19. 51.2400.51	Handle		1	53. 93.5031.00	Switch		1	85. 41.2118.51	Holder, Cable		1
20. 99.3144.00	Screw, M8x50		2	54. 10.7108.01	Cable		1	86. 99.3039.00	Screw, M8x16		1
21. 99.3069.00	Screw, M8x25		2	55. 51.2307.51	Cover		1	87. 41.2119.51	Clamp		1
22. 96.6938.00	Washer, M6.4, Schnorr		20	56. 99.1515.00	Screw, M5 x 12		1	88. 41.2120.51	Cover, Switchbox		1
23. 99.1897.00	Screw, M6x25		4	57. 96.6913.00	Washer, M5.3 x 9 x .6		1	89. 41.2126.84	Gasket		1
24. 90.3833.00	O-Ring, .549 x .103		2	58. 51.2003.74	Rail, Mounting, Motor Side		1				
25. 51.2100.51	Spacer, Oil Dipstick		1	59. 98.1924.00	Plug		4				
26. 98.2097.00	Oil Dipstick		1	60. 93.5210.00	Nut, Cable Fixing, 3/8-19 BSPP		1				
27. 91.8328.00	Bearing, Ball		1	61. 96.7014.00	Washer, M8.4, Schnorr		4				
28. 90.0635.00	Circlip		1	62. 99.3037.00	Screw, M8x16		4				
29. 90.1634.00	Ring, Oil Seal		1	63. 51.1000.51	Ring, Head	85, 87	3				
30. 90.4097.00	O-Ring, 2.187 x .139		1	64. 90.2618.00	Packing	85, 87	3				
31. 50.2115.51	Spacer, Crankcase		1	65. 51.0800.70	Retainer, Packing	85, 86	3				
32. 50.1500.74	Cover, Crankcase		1	66. 90.3604.00	O-Ring, .989 x .070	85, 86, 87	3				
33. 99.1807.00	Screw, M6x10		4	67. 90.3835.00	O-Ring, .593 x .103	86, 87	3				

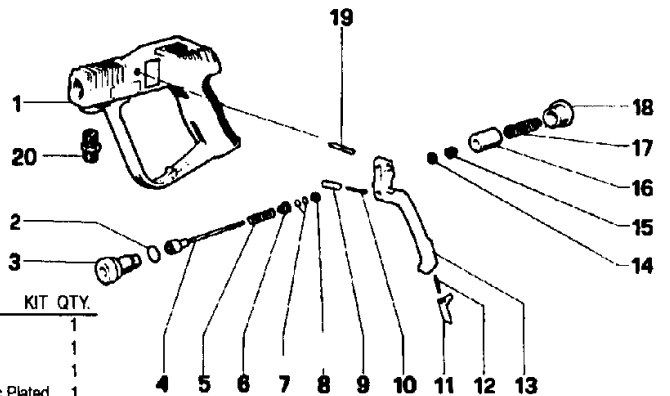
Kit No.	1	83	84	85	86	87
Items In Kit	70, 71 72, 73, 74 (75)	80	68, 69	63, 64, 65, 66, 67	65, 66, 67	63, 64, 66, 67
Number Assemblies In Kit	6	3	6	1	3	3

P10 GUN

ITEM PART NO.	DESCRIPTION	KIT	QTY.
1. 18.2056.02	Body, Gun		1
2. 90.3841.00	O-Ring, .674 x .103	105	1
3. 18.2059.02	Seat, Valve, Brass OT58	105	1
4. 18.2071.02	Rod, Brass OT58	105	1
5. 94.7378.00	Spring		1
6. 18.2042.70	Spring, Guide		1
7. 90.3568.00	O-Ring, .145 x .070, Viton	105	2
8. 90.5007.00	Ring, Back-up	105	1
9. 18.2053.70	Shaft		1
10. 94.7305.00	Spring		1
11. 18.2050.51	Latch		1
12. 94.7303.00	Spring		1
13. 18.2048.51	Trigger		1
14. 96.6840.00	Washer, M4.25		1
15. 92.1935.00	Nut, Self-locking, M4		1
16. 18.2052.70	Guide, Spring		1

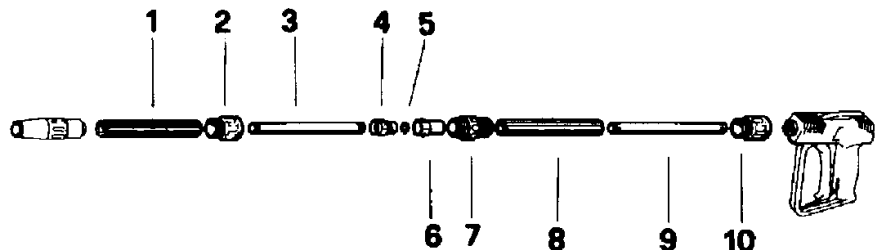
KIT NO.	105
ITEM NO'S INCLUDED IN KIT	2, 3, 4 7, 8
NUMBER OF ASSEMBLIES IN KIT	1

ITEM PART NO.	DESCRIPTION	KIT	QTY.
17. 94.7414.00	Spring, .3 x 44.5 mm		1
18. 98.2192.00	Cap		1
19. 97.6155.00	Pin, Split		1
20. 95.2840.00	Fitting, Inlet, Steel, Zinc Plated		1

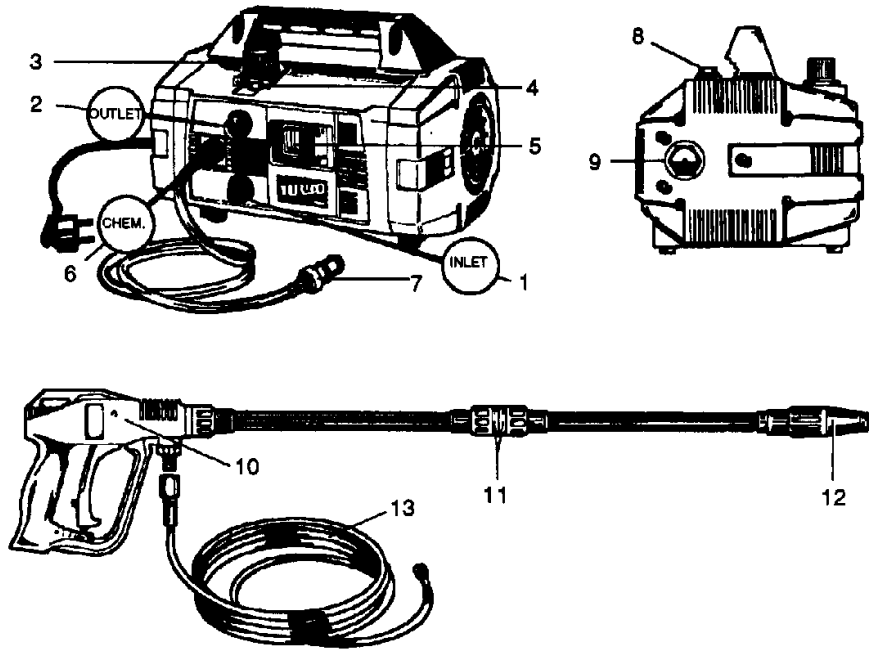


QUICK LANCE

ITEM PART NO.	DESCRIPTION	KIT	QTY.
1. 18.0106.98	Grip, Hand, PVC	*	1
2. 10.0295.51	Nut, Ring, Polyamide Type 6	*	1
3. 18.2033.89	Tube	*	1
4. 10.0297.70	Coupling, Male, Brass OT58	*	1
5. 90.3820.00	O-Ring, .359 x .103, Viton	*	1
6. 10.0298.70	Coupling, Female, Brass OT58	†	1
7. 10.0296.51	Coupler, Polyamide Type 6	†	1
8. 18.0104.98	Grip, Hand	†	1
9. 18.2033.89	Tube, Steel Fe35-1 (Zinc Plated)	†	1
10. 10.0294.51	Sleeve, Protection	†	1
*	ZOZQUIK2 QUICK LANCE		
†	ZOZFIXUP FIXUP LANCE		



- Standard Equipment**
1. Inlet
 2. Outlet
 3. Pressure Adjustment Knob
 4. Pressure Indicator
 5. On/Off Switch
 6. Chemical Regulator
 7. Chemical Filter
 8. Oil Dipstick
 9. Oil Level Indicator
 10. Automatic Gun
 11. Quick-Lance
 12. Multireg Nozzle
 13. High-Pressure Hose



Optional Equipment

