



TRIPLEX

TRIPLEX

FEATURES

- Built-in Pressure Trapping Unloader
- Built-in Detergent Injector
- Direct-drive
- Solid White Ceramic Plungers
- Next Generation Packings for Exceptional Seal Life
- 13 mm Plunger
- Higher Pump Performance in a Smaller Package!

SPECIFICATIONS

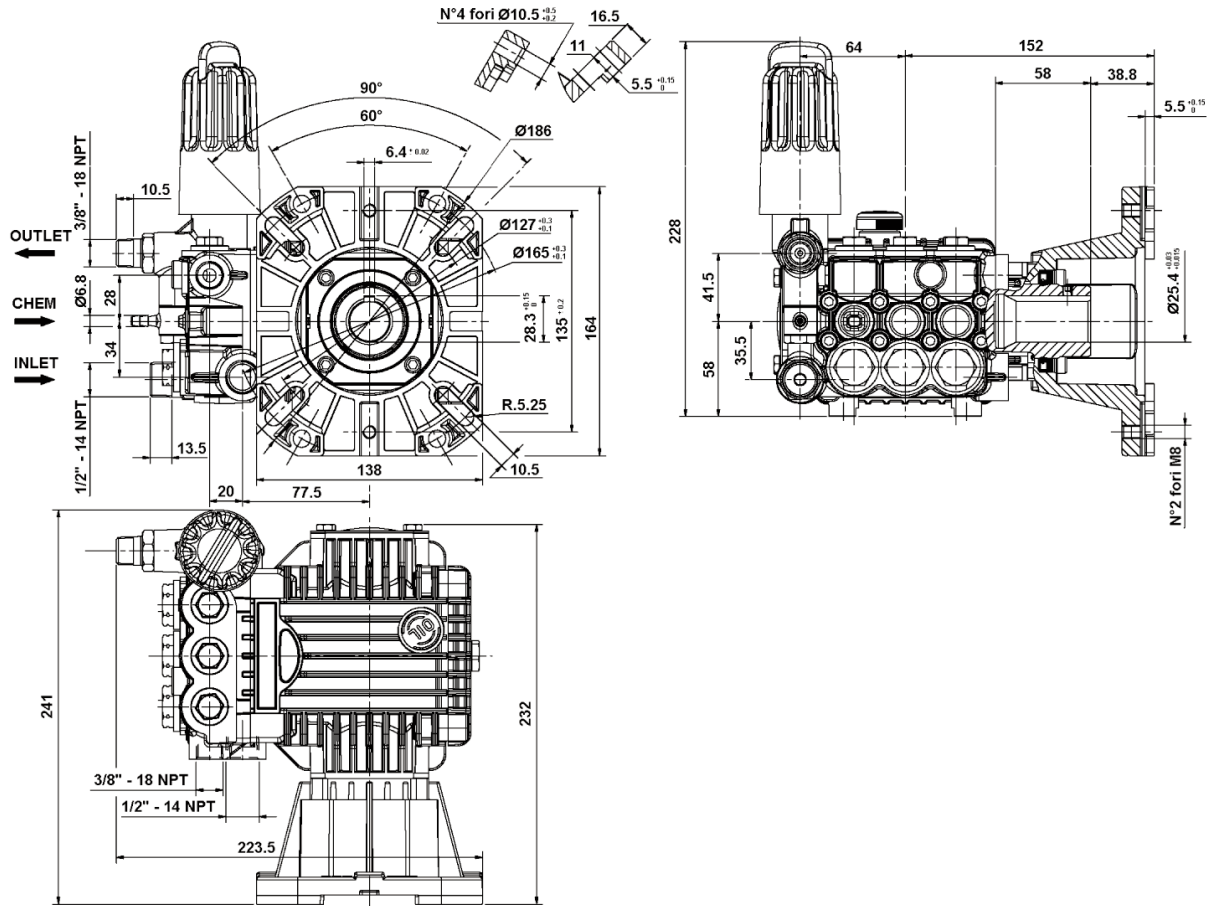
Pump Model	TC1310G8UIA
Maximum Volume	3.0 GPM
Maximum Pump Speed	3400 RPM
Maximum Inlet Pressure	125 PSI
Minimum Inlet Pressure	30 PSI
Plunger Bore (in / mm)	.512 in. / 13 mm
Plunger Stroke (in / mm)	.413 in. / 10.5 mm
Oil Capacity	11.8 oz.
Maximum Fluid Temperature	165°F
Inlet Port Thread	1/2" NPT-M
Discharge Port Thread	3/8" NPT-M
Shaft Diameter	1" Hollow
Weight	16 lbs.
Gas Engine Flange	J609-B



General Pump
is a member of
the Interpump Group



DIMENSIONAL DRAWING



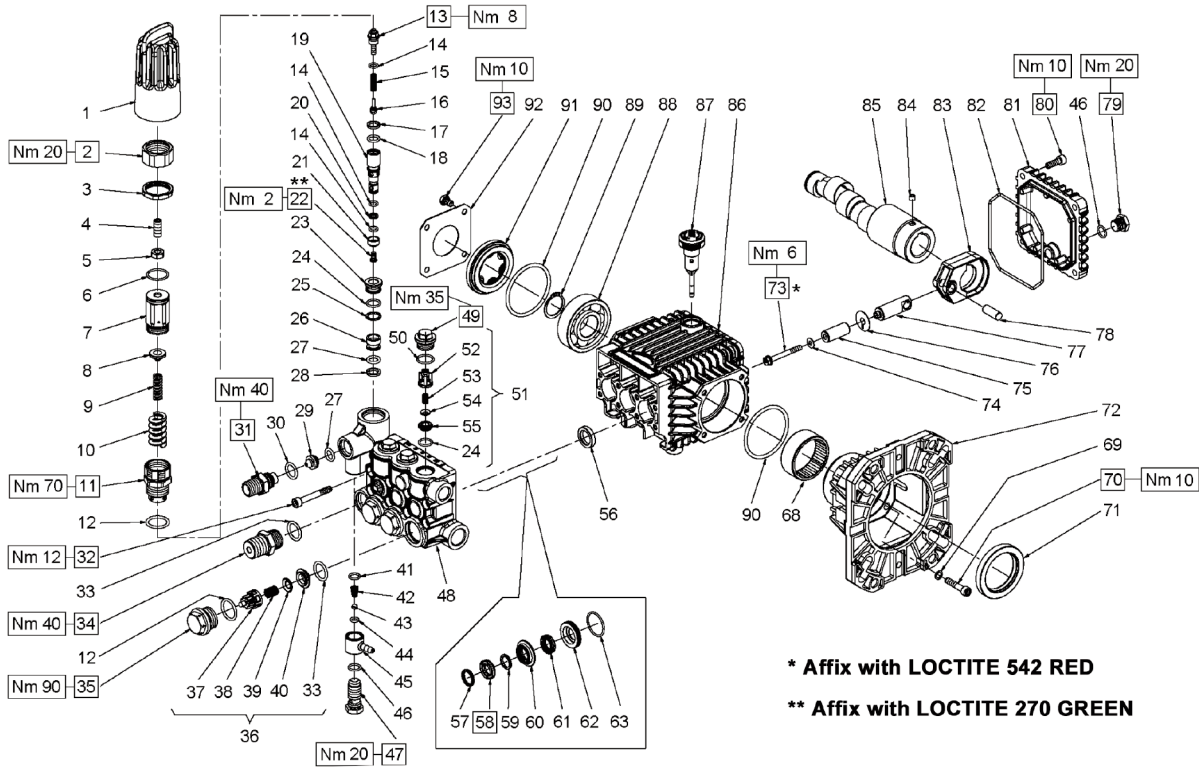
REPAIR KITS

KIT NO.	K83	K195	K254	K255	K256	K257	K258
ITEM NO's INCLUDED IN KIT	56	11, 12, 12, 14, 15, 16, 17, 18, 19, 20, 21, 22, 23, 24, 25, 26, 27, 28	57, 58, 59, 61	57, 58, 59, 60, 61, 62, 63	24, 33, 36, 51	60	62, 63
NUMBER OF ASSEMBLIES IN KIT	3	1	3	1	3	3	3

TORQUE SPECS*

Pos.	Ft/lb	Nm
2	14.7	20
11	51.6	70
13	6	8
22	1.5	2
31	29.4	40
32	8.9	12
34	29.4	40
35	66.4	90
47	14.7	20
49	25.8	35
70	7.4	10
73	4.4	6
79	14.7	20
80	7.4	10
93	7.4	10

* Decrease torque by 20% if threads are lubricated



* Affix with LOCTITE 542 RED

** Affix with LOCTITE 270 GREEN

PARTS LIST

ITEM	PART NO.	DESCRIPTION	QTY.	ITEM	PART NO.	DESCRIPTION	QTY.	ITEM	PART NO.	DESCRIPTION	QTY.
1.	36322151	Knob, Black	1	30.	90383300	O-ring, Ø13.95x2.62	1	60.	60216570	Intermediate Ring, Ø13	3
2.	36318670	Unloader Nut	1	31.	10065170	Nipple, 3/8" NPT	1	61.	90260100	Packing, Ø13x20x5, LP	3
3.	92293500	Nut, M28x1.5x53x5	1	32.	99195000	Screw, M6x45	8	62.	60080570	Ring	3
4.	99305400	Screw, M8x20	1	33.	90384100	O-ring, Ø17.13x2.62	4	63.	90360400	O-ring, Ø25.12x1.78	3
5.	92221800	Nut, M8x1.25x5x13	1	34.	36333370	Nipple, 1/2" NPT	1	68.	91856800	Needle Bearing	1
6.	90359800	O-ring, 20.35x1.78	1	35.	98221400	Valve Plug, M24x1.5x13.2	3	69.	96693800	Washer, Ø6.4x10x0.7	4
7.	36318570	Pressure Set Screw	1	36.	36711501	Inlet Valve Assembly	3	70.	99191200	Screw, M6x30	4
8.	36316970	Spring Plate	1	37.	36202551	Inlet Valve Guide	3	71.	90169000	Ring, Radial Ø45x62x8	1
9.	94734500	Spring, Ø7.6x29	1	38.	94737600	Spring, Ø9.4x14.8	3	72.	10051822	Gas Flange	1
10.	94743800	Spring, Ø15x35	1	39.	36200176	Inlet Valve, Spherical	3	73.	99165900	Screw, M5x45	3
11.	36346970	Guide Bushing, Nickel	1	40.	36200366	Inlet Valve Seat	3	74.	96690500	Washer, Ø5x11.5x0.5	3
12.	90384700	O-ring, Ø20.24x2.62	4	41.	90358200	O-ring, Ø9.25x1.78	1	75.	60040509	Plunger, Ø13x30.5	3
13.	36318870	Stroke Stopper	1	42.	94821700	Conical Spring, Ø	1	76.	96699000	Washer, Ø7.5x23x0.5	3
14.	90357600	O-ring, Ø6.75x1.78	3	43.	97478200	Ball, Ø 7/32"	1	77.	60050566	Plunger Guide	3
15.	94733200	Spring, Ø6.1x19	1	44.	90357300	O-ring, 5.28x1.78	1	78.	97733300	Pin, Ø9x24.5	3
16.	36333151	Shutter	1	45.	36260451	Hose Barb	1	79.	98204100	Plug, G 1/4"x9	1
17.	90506550	Anti-ext. Ø10.6x14x2	1	46.	90358500	O-ring, Ø10.82x1.78	2	80.	99186700	Screw, M6x18	4
18.	90367000	O-ring, Ø10x2	1	47.	36256370	Chemical Valve Seat	1	81.	60160022	Back Cover	1
19.	36347070	Piston Control	1	48.	60122041	Manifold	1	82.	90391800	O-ring, Ø94.92x2.62	1
20.	90502500	Anti-ext. Ø7x10x1.5	1	49.	98213600	Valve Plug, M18x1.5x10	3	83.	60030022	Connecting Rod	3
21.	36319066	Valve, Spherical	1	50.	90359300	O-ring, Ø15.6x1.78	3	84.	99179000	Screw, M6x6	1
22.	99150900	Screw, M5x0.8x8.5	1	51.	36719201	Outlet Valve	3	85.	60028165	Crankshaft	1
23.	36316570	Valve Guide	1	52.	36203151	Outlet Valve Guide	3	86.	60010022	Pump Body	1
24.	90358900	O-ring, Ø12.42x1.78	4	53.	94732600	Spring, Ø6x12	3	87.	98210300	Oil Plug, G3/8"	1
25.	90507500	Anti-ext. Ring, Ø13x16x1.5	1	54.	36203076	Outlet Valve, Spherical	3	88.	91832800	Bearing, Spherical	1
26.	36316466	Valve Seat	1	55.	36210866	Outlet Valve Seat	3	89.	90063500	Seeger Ring, Ø25	1
27.	90382300	O-ring, 9.92x2.62	2	56.	90156500	Ring, Radial Ø15x24x5	3	90.	90409700	O-ring, Ø55.56x3.53	2
28.	90506500	Anti-ext. Ring, Ø10.6x15x2	1	57.	44100251	Head Ring, Ø13	3	91.	44211801	Oil Level Indicator	1
29.	10007666	Nozzle, Ø2.2	1	58.	90260200	Packing, Ø 13x21x4, HP	3	92.	50150074	Side Bearing Cover	1
				59.	90507600	Anti-ext. Ring, Ø 13x17x2	3	93.	99180700	Screw, M6x10	4