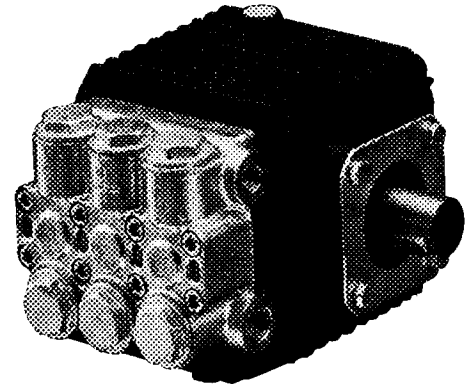


## FEATURES

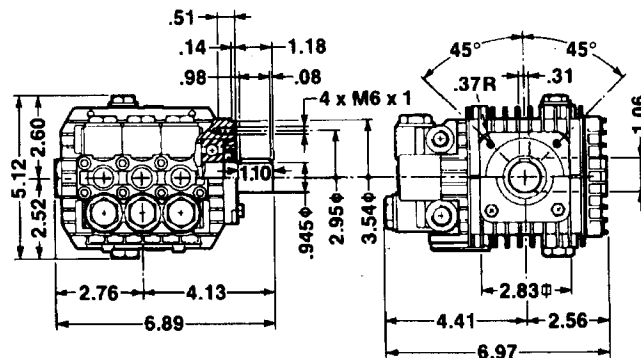
- Forged brass manifold with exclusive lifetime warranty
- Die cast, anodized aluminum, oil-bath crankcase
- Solid ceramic plungers with continuously lubricated packings
- The original Interpump unitized, stainless steel, K01 inlet and outlet valves
- Ideal for all general cleaning applications
- Standard with 24 mm solid shaft for pulley mount or direct drive with flex coupler and bell housing
- Also available in “L” left-handed versions

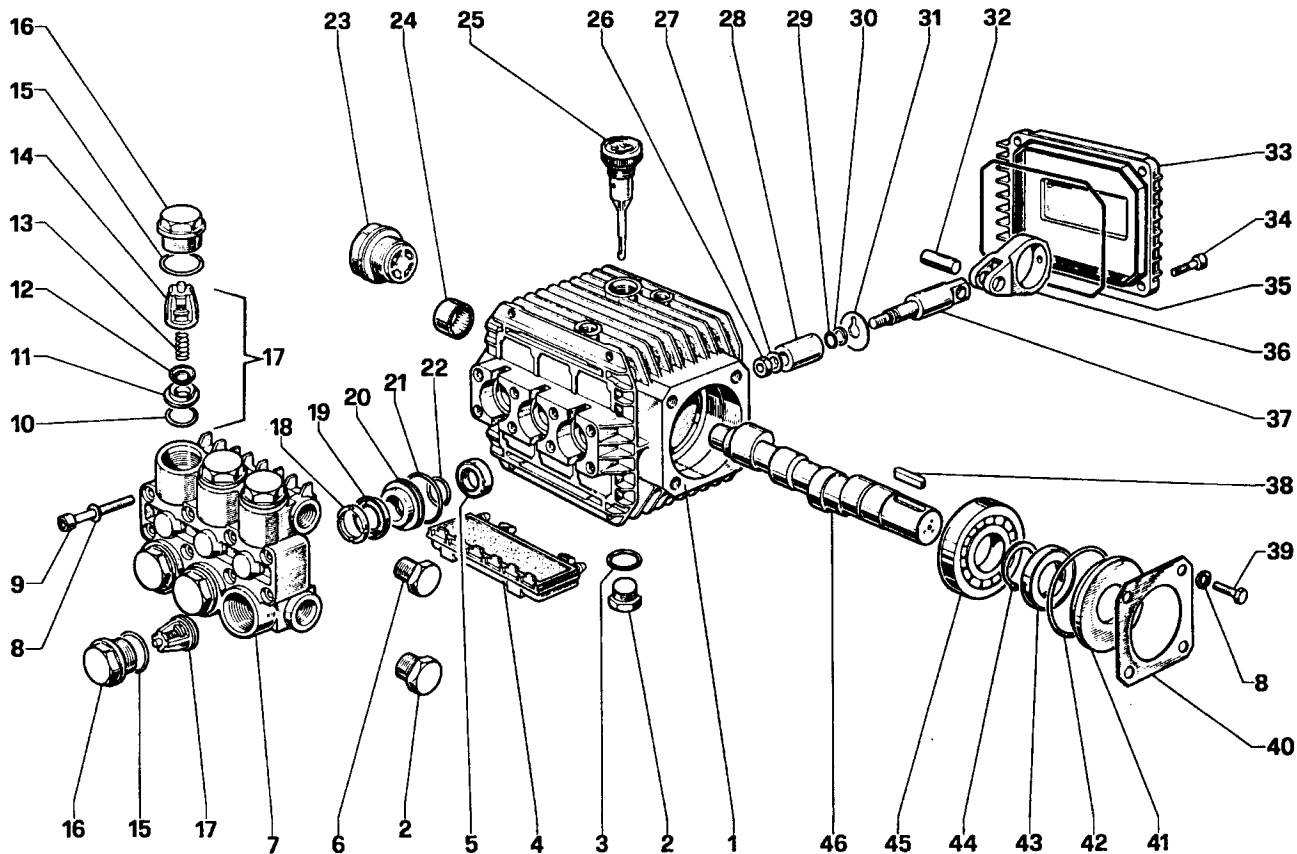


## SPECIFICATIONS

| Pump Model                 | TT901                    | TT931     | TT941      | TT951      | TT9111     |
|----------------------------|--------------------------|-----------|------------|------------|------------|
| Maximum Volume             | 2.11 GPM                 | 2.9 GPM   | 3.43 GPM   | 2.5 GPM    | 3.0 GPM    |
| Maximum Discharge Pressure | 1500 PSI                 |           |            |            |            |
| Maximum Pump Speed         | 2800 RPM                 | 2800 RPM  | 2800 RPM   | 2800 RPM   | 1750 RPM   |
| Maximum Inlet Pressure     | 125 PSI                  |           |            |            |            |
| Maximum Inlet Vacuum       | 3 ft. water (2.6 in. Hg) |           |            |            |            |
| Bore (in./mm)              | .591 / 15                | .591 / 15 | .591 / 15  | .591 / 15  | .708 / 18  |
| Stroke (in./mm)            | .236 / 6                 | .315 / 8  | .370 / 9.4 | .283 / 7.2 | .370 / 9.4 |
| Crankcase Oil Capacity     | 11.2 oz.                 |           |            |            |            |
| Maximum Fluid Temperature  | 165°F                    |           |            |            |            |
| Inlet Port Thread          | 3/8-19 BSPP-F            |           |            |            |            |
| Discharge Port Thread      | 1/4-19 BSPP-F            |           |            |            |            |
| Shaft Diameter             | .945 in. / 24 mm         |           |            |            |            |
| Weight                     | 11.2 lbs.                |           |            |            |            |
| Dimensions                 | 7.0 x 6.9 x 5.1 in.      |           |            |            |            |

## DIMENSIONAL DRAWING





## PARTS LIST

| ITEM | PART NO.   | DESCRIPTION              | KIT NO. | QTY. | ITEM | PART NO.   | DESCRIPTION              | KIT NO.     | QTY. | ITEM | PART NO.   | DESCRIPTION                | KIT NO. | QTY. |
|------|------------|--------------------------|---------|------|------|------------|--------------------------|-------------|------|------|------------|----------------------------|---------|------|
| 1.   | 51.0106.22 | Crankcase                |         | 1    | 18.  | 51.1000.51 | Head Ring                | 96,97       | 3    | 31.  | 96.7070.00 | Flinger Washer             |         | 3    |
| 2.   | 98.2100.00 | Plug                     |         | 2    |      | 51.1001.51 | Head Ring (T9111)        | 140,141     |      | 32.  | 97.7310.00 | Connect Rod Pin            |         | 3    |
| 3.   | 90.3833.00 | O-Ring                   |         | 1    | 19.  | 90.2620.00 | Packing                  | 96,97       | 3    | 33.  | 51.1600.22 | Crankcase Cover            |         | 1    |
| 4.   | 51.2091.02 | Protector                |         | 1    |      | 90.2681.00 | Packing (T9111)          | 140,141     |      | 34.  | 99.1867.00 | Screw                      |         | 4    |
| 5.   | 90.1565.00 | Oil Seal                 | 83      | 3    | 20.  | 51.0800.70 | Packing Retainer         | 86,96       | 3    | 35.  | 90.3917.00 | Cover O-Ring               |         | 1    |
| 6.   | 98.2041.00 | Plug                     |         | 1    |      | 51.0803.70 | Pack. Ret. (T9111)       | 139,140     |      | 36.  | 51.0300.22 | Connecting Rod End         |         | 3    |
| 7.   | 51.1200.22 | Manifold, Alum.          |         | 1    | 21.  | 90.3604.00 | O-Ring                   | 86,96,97    | 3    | 37.  | 51.0500.56 | Connecting Rod             |         | 3    |
|      | 51.1200.41 | Manifold, Brass          |         |      |      | 90.3604.00 | O-Ring (T9111)           | 139,140,141 |      | 38.  | 91.4878.00 | Key                        |         | 1    |
|      | 51.1204.41 | Manifold, Brass (TT9111) |         |      | 22.  | 90.3835.00 | O-Ring                   | 86,96,97    | 3    | 39.  | 99.1807.00 | Screw                      |         | 4    |
| 8.   | 96.6938.00 | Washer                   |         | 8    |      | 90.3843.00 | O-Ring                   | 189,140,141 |      | 40.  | 50.1500.74 | Retainer                   |         | 1    |
| 9.   | 99.1943.00 | Screw                    |         | 8    | 23.  | 97.5968.00 | Sight Gauge              |             | 1    | 41.  | 50.2115.51 | Spacer                     |         | 1    |
| 10.  | 90.3841.00 | O-Ring                   |         | 1    | 24.  | 91.8015.00 | Needle Bearing           |             | 1    | 42.  | 90.4097.00 | O-Ring                     |         | 1    |
| 11.  | 36.2003.66 | Valve Seat               |         | 1    | 25.  | 98.2103.00 | Oil Dip Stick            |             | 1    | 43.  | 90.1634.00 | Oil Seal                   |         | 1    |
| 12.  | 36.2001.76 | Valve Plate              |         | 1    | 26.  | 92.2216.00 | Nut                      |             | 3    | 44.  | 90.0635.00 | Snap Ring                  |         | 1    |
| 13.  | 94.7376.00 | Spring                   |         | 1    | 27.  | 96.7008.00 | Washer                   |             | 3    | 45.  | 91.8329.00 | Bearing                    |         | 1    |
| 14.  | 36.2002.51 | Valve Cage               |         | 1    | 28.  | 51.0400.09 | Plunger – 15 mm          |             | 3    | 46.  | 51.0200.35 | Crankshaft (TT901)         |         | 1    |
| 15.  | 90.3847.00 | O-Ring                   | 84      | 6    |      | 51.0401.66 | Plunger – 18 mm (TT9111) |             |      |      | 51.0201.35 | Crankshaft (TT931)         |         |      |
| 16.  | 98.2218.00 | Valve Cap                | 84      | 6    | 29.  | 90.3572.00 | O-Ring                   |             | 3    |      | 51.0204.35 | Crankshaft (TT941, TT9111) |         |      |
| 17.  | 36.7032.01 | Valve Assy.              |         | 1    | 30.  | 90.5022.00 | Back Up Ring             |             | 3    |      | 51.0217.35 | Crankshaft (TT951)         |         |      |

## REPAIR KITS

| KIT NO.                              | 1                            | 83 | 84     | 86 or 139    | 96 or 140              | 97 or 141        |
|--------------------------------------|------------------------------|----|--------|--------------|------------------------|------------------|
| ITEM NO.s INCLUDED IN KIT            | 10, 11, 12<br>13, 14<br>(17) | 5  | 15, 16 | 20, 21<br>22 | 18, 19<br>20, 21<br>22 | 18, 19<br>21, 22 |
| NUMBER OF ASSEMBLIES IN KIT          | 6                            | 3  | 6      | 3            | 1                      | 3                |
| NUMBER OF CYLINDERS KIT WILL SERVICE | 3                            | 3  | 3      | 3            | 1                      | 3                |

## TORQUE SPECS\*

| Position | Ft.-lbs. |
|----------|----------|
| 2        | 29.4     |
| 6        | 14.7     |
| 9        | 8.8      |
| 16       | 33.1     |
| 23       | 13.2     |
| 26       | 11.0     |
| 34       | 7.3      |
| 39       | 7.3      |

\*Decrease torque by 20% if threads are lubricated.