

**Spare parts list**  
**(9.139-203.0) Spare parts list G 3050**

## DE HINWEISE

### Weitere Sprachen:

Diese Ersatzteilliste ist in weiteren Sprachen erhältlich. Sie erhalten diese unter [www.kaercher.com](http://www.kaercher.com) im Bereich Service. Die Schreibweise der Teilenummer, z.B. 75456380, entspricht der Teilenummer 7.545-638.0.

### Mengenangaben:

Die Mengenangaben in der Ersatzteilliste entsprechen den in der Baugruppe verbauten Stückzahlen der Bauteile.

### Meterware:

Ersatzteile welche als Meterware geliefert werden sind auf Einbaulänge selbst zu kürzen. Die Stückzahlen sind als Mindestbestellmenge =1m angegeben und müssen je nach Bedarf auf weitere volle Meterzahlen erhöht werden.

### Versionen/ Werknummern:

Sind Versionen oder Werknummern in der Ersatzteilliste angegeben, ist anhand dieser vor Bestellung zu prüfen, welches Bauteil für ihr Gerät verwendet werden muss.

### Lackierte Teile:

Bei Bestellungen von lackierten Teilen welche in der Ersatzteilliste nicht in verschiedenen Farben ausgewiesen sind, ist zusätzlich die Farbnummer oder Farbe mit anzugeben.

### Technische Änderungen:

Technische Änderungen sowie das Recht der ausschließlichen Auswertung unseres geistigen Eigentums behalten wir uns vor.

## EN INSTRUCTIONS

### Other languages:

This list of spare parts is also available in other languages. You can get this list from [www.kaercher.com](http://www.kaercher.com) in the Service division. The designation of the part number e.g. 75456380 is equal to 7.545-638.0.

### Quantity details:

The quantity details in the spare parts list correspond to the number of pieces of the component installed in the assembly group.

### Piece goods:

Spare parts that are sold as piece goods are to be cut to the desired length. The quantities have been indicated as minimum order quantity =1m and must be rounded off to the full meter figure depending on your requirements.

### Version/ Plant numbers:

If version or plant numbers are mentioned in the spare parts list, then use the same to check before ordering which spare part needs to be used for your appliance.

### Painted parts:

While ordering painted parts that are not mentioned in the spare parts list in their colour variations, please mention the colour number or the colour you require.

### Technical changes:

We reserve the right to make technical changes as well as the right to exclusive use of our intellectual property.

## FR REMARQUES

### Autres langues:

Cette liste de pièces de rechange est disponible en autres langues. Cela est disponible sous [www.kaercher.com](http://www.kaercher.com) dans le menu Service. La désignation du numéro de pièce, par ex. 75456380, correspond au numéro de pièce 7.545-638.0.

### Indications de quantité:

Les indications de quantité dans la liste de pièces de rechange correspondre aux nombres de pièces des composant utilisées dans la construction.

### Matériel au mètre:

Les pièces de rechange qui sont livrées au mètre doivent être raccourcies à longueur souhaitée par l'acheteur même. Les nombres des pièces sont indiquées en quantité de commande minimale = 1m et doivent être augmentés selon le besoin à une chiffre de mètre complète.

### Versions/ Numéros d'usine:

Lorsqu'il sont indiquées des versions ou des numéros d'usine dans la liste de pièces de rechange, vous devez vérifier que composant doit être utilisé pour votre appareil.

### Pièces laquées:

Pour commander des pièces laquées, où les différentes couleurs ne sont pas indiquées dans la liste des pièces de rechange, vous devez indiquer en plus le numéro de la couleur ou seulement la couleur.

### Modifications techniques:

Nous nous réservons la possibilité des modifications techniques ainsi le droit d'exploitation exclusive de notre propriété intellectuelle.

## IT AVVERTENZE

### Altre lingue:

Il presente elenco di parti di ricambio è disponibile sul nostro sito Web anche in altre lingue: sotto [www.kaercher.com](http://www.kaercher.com) alla voce "Service".

L'indicazione del codice pezzo, ad es. 75456380, corrisponde al codice pezzo 7.545-638.0

### Indicazioni di quantità:

Le indicazioni di quantità riportate dall'elenco "parti di ricambio" corrispondono al numero delle singole componenti contenute nella rispettiva unità.

### Merce a metro:

Le parti di ricambio fornite come "merce a metro" devono venire in seguito accorciate alla lunghezza necessaria per il montaggio. La quantità unitaria è indicata come "quantità minima di ordinazione = 1m" e deve all'occorrenza venire moltiplicata per il numero intero di metri necessari.

### Versioni / Numeri di fabbricazione:

Quando l'elenco "parti di ricambio" riporta diverse versioni o numeri di fabbricazione, confrontare la versione o il numero di fabbricazione del ricambio desiderato con quelle/i presenti nell'elenco e indicarla/o al momento dell'ordinazione.

### Parti di ricambio verniciate:

Nel caso di ricambi verniciati, se l'elenco parti di ricambio non ne riporta espressamente i diversi colori, al momento dell'ordinazione è necessario indicare anche il colore o il numero del colore desiderato.

### Modifiche tecniche:

Ci riserviamo il diritto di apportare modifiche tecniche così come il diritto di utilizzo esclusivo della nostra proprietà intellettuale.

## ES INDICACIONES

### Otros idiomas:

La lista de piezas de repuesto se puede adquirir en otros idiomas. La puede adquirir en [www.kaercher.com](http://www.kaercher.com) en el área de servicios.

La notación de los números de las piezas, p.ej. 75456380 corresponde al número de pieza 7.545-638.0.

### Cantidades:

Las indicaciones de cantidades de la lista de piezas de repuesto corresponden al número de piezas montadas en el componente.

### Mercancía por metros:

Las piezas de repuesto que se suministran por metros se pueden cortar al largo deseado. La unidad mínima de pedido es de = 1 m y el número de metros completos se puede aumentar según necesidad.

### Versiones/números de fábrica:

Si se indica la versión o número de fábrica en la lista de piezas de repuesto, se debe comprobar en ella la pieza a usar para su aparato antes de realizar el pedido.

### Piezas lacadas:

Al realizar pedidos de piezas lacadas que no estén indicadas en los diferentes colores en la lista de piezas de repuesto, se debe indicar también la referencia del color o el color.

### Modificaciones técnicas:

Reservados los derechos de realizar modificaciones técnicas y aprovechar nuestra propiedad intelectual.

## PL WSKAZÓWKI

### Pozostałe języki:

Ta lista części zamiennych jest dostępna w także w innych językach. Mogą ją Państwo pobrać ze strony [www.kaercher.com](http://www.kaercher.com) w dziale Serwis.

Sposób zapisywania numeru części, np. 75456380, odpowiada numerowi części 7.545-638.0.

### Dane ilości:

Dane ilości podane w liście części zamiennych odpowiadają liczbie sztuk podzespołów tworzących dany moduł.

### Towar sprzedawany na metry:

Części zamienne dostarczane jako towar sprzedawany na metry po zamontowaniu należy samodzielnie skrócić do potrzebnej długości. Liczba sztuk podana jest jako minimalna ilość zamówienia = 1m i w zależności od potrzeb zwiększa się ją o kolejne pełne metry.

### Wersje/ Numer zakładu:

Jeżeli w liście części zamiennych podane są wersje lub numery zakładu, przed zamówieniem na ich podstawie należy sprawdzić, który podzespół stosuje się w Państwa urządzeniu.

### Części lakierowane:

W przypadku zamówień części lakierowanych, które w liście części zamiennych nie podano w wielu kolorach, należy dodatkowo zaznaczyć nr koloru lub kolor.

### Zmiany techniczne:

Zastrzegamy sobie prawo do zmian technicznych oraz wyłącznego wykorzystywania naszej własności intelektualnej.

## **RU УКАЗАНИЯ:**

### **Другие языки:**

Данный список запасных частей также доступен на других языках. Вы найдете его на сайте [www.kaercher.com](http://www.kaercher.com) в разделе Service. Маркировка номера детали, например, 75456380, соответствует номеру детали 7.545-638.0.

### **Указание количества:**

Количественные данные в списке запасных частей соответствуют числу компонентов, входящих в состав узлов.

### **Товар, продаваемый на метры:**

Запасные части, продающиеся на метры, необходимо обрезать до нужной длины. Число изделий указано в виде минимального объема заказа = 1м и их количество можно округлить до требуемого по мере необходимости.

### **Варианты исполнения/заводские номера:**

Если варианты исполнения или заводские номера указаны в списке запасных частей, то перед заказом необходимо проверить, какая деталь подходит для вашего устройства.

### **Лакированные детали:**

При заказе лакированных деталей, варианты расцветки которых не указаны в списке запасных частей, необходимо дополнительно указать номер цвета или необходимый для вас цвет.

### **Технические изменения:**

Мы оставляем за собой право на технические изменения, а также право на исключительное использование нашей интеллектуальной собственности.

## Table of contents

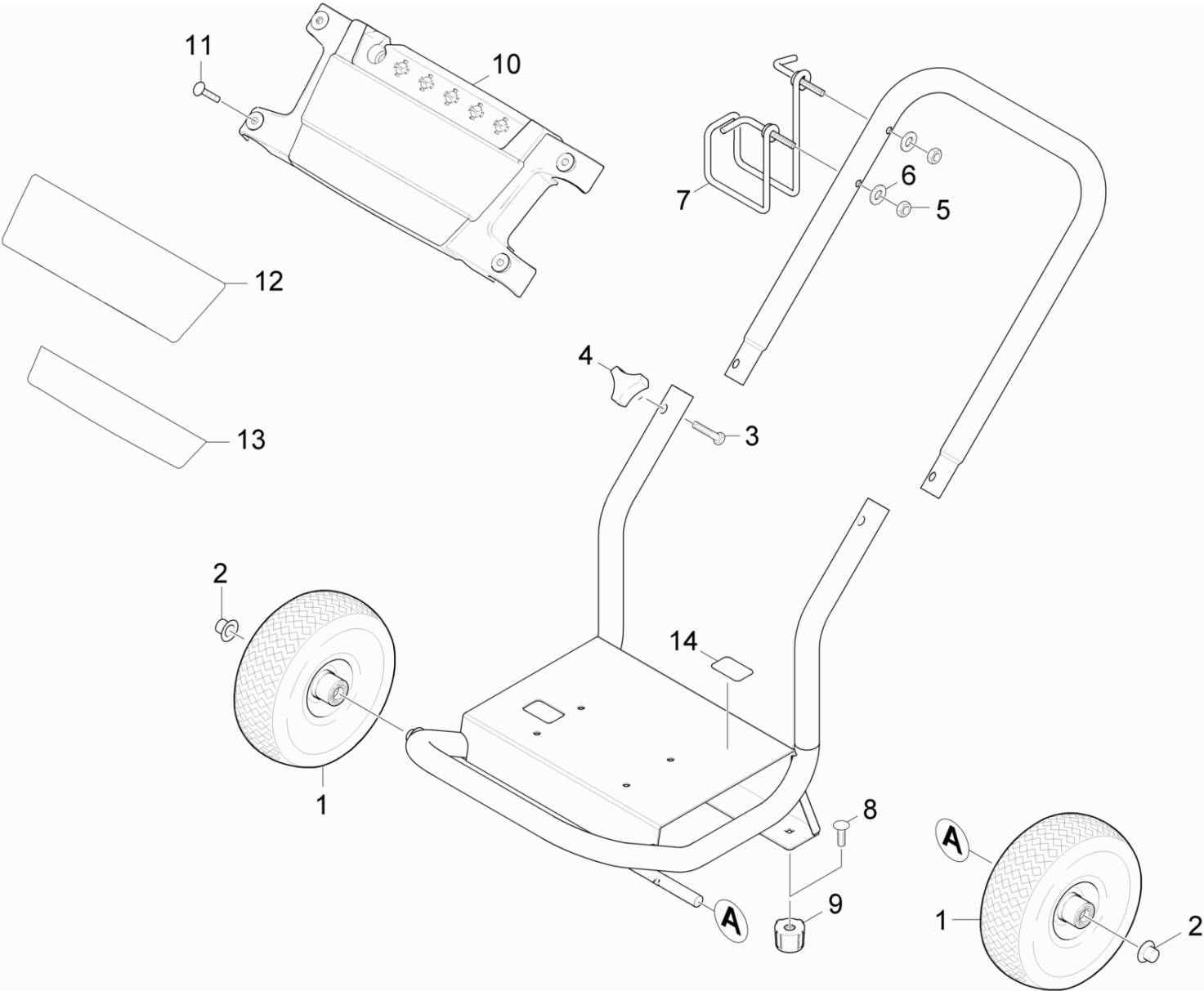
---

<b>Spare parts list G 3050 (9.139-203.0)</b> .....	6
10 Frame .....	7
20 Pump set .....	10
21 Cylinder head .....	11
4 Valve (3 Stück) (2.884-916.0) .....	13
14 Nozzle insert only for replacement (4.769-034.0) .....	15
22 Piston .....	17
23 Cylinder head .....	19
9 Spare part set chemistry (2.883-862.0) .....	21
10 Drain plug only for replacement (4.132-007.0) .....	22
11 Valve (3 Stück) (2.884-916.0) .....	24
24 PISTON (8.921-431.0) .....	26
30 Motor .....	28
31 Motor .....	29
32 Transmission .....	31
33 TRANSMISSION .....	33
40 Accessories .....	35
3 High pressure hose K/Parts DN8 max.31,5M (6.391-419.0) .....	37
0 Spare parts list HD-Schläuche K/Parts .....	38
10 High pressure hoses .....	39

**Spare parts list G 3050 (9.139-203.0)**

---

<b>Pos</b>	<b>Name</b>	<b>Qty.</b>	<b>Unit</b>
10	Frame	1.000	ST
20	Pump set	1.000	ST
30	Motor	1.000	ST
40	Accessories	1.000	ST



**10 Frame**

Pos	Material #	Name	Qty.	Unit	from ser.nr.	up to ser.nr.	var. information	Footnote text
1	9.802-270.0	WHEEL & TIRE ASSY, 10" STEEL RIM W/TUBE	2.000	ST	102721		HD 2.5/30 CS	
1	9.802-270.0	WHEEL & TIRE ASSY, 10" STEEL RIM W/TUBE	2.000	ST	103220		G 3050 OH *KAP	
1	9.802-270.0	WHEEL & TIRE ASSY, 10" STEEL RIM W/TUBE	2.000	ST	104041		G 3050 OH AUS	
1	9.802-270.0	WHEEL & TIRE ASSY, 10" STEEL RIM W/TUBE	2.000	ST	0000000000	0000000000		ARTICLE ONLY AVAILABLE AT KNA
1	8.754-186.0	QH WHEEL ASSY, 10" GRAY STEEL RIM W/TUB	2.000	ST				
2	9.182-506.0	CAP BLACK PLASTIC,5/8"FASTENER	2.000	ST	0000000000	0000000000		ARTICLE ONLY AVAILABLE AT KNA
3	9.196-307.0	1/4-20 x 1-1/2 GR 2 HEX BOLT ZINC	2.000	ST	0000000000	0000000000		ARTICLE ONLY AVAILABLE AT KNA
4	9.182-353.0	KNOB 1/4"-20,3PT. STAR	2.000	ST	0000000000	0000000000		ARTICLE ONLY AVAILABLE AT KNA
5	9.802-786.0	*NUT, 5/16, HEX, NC	2.000	ST	0000000000	0000000000		ARTICLE ONLY AVAILABLE AT KNA
6	9.198-003.0	5/16 INTERNAL L/W .332 ID X .620 OD ZINC	2.000	ST	0000000000	0000000000		ARTICLE ONLY AVAILABLE AT KNA
7	9.142-014.0	HANGER RT SIDE	1.000	ST	0000000000	0000000000		ARTICLE ONLY AVAILABLE AT KNA
8	9.196-052.0	Hex Flange Cap Screw 5/16-18 x 3/4"	2.000	ST	102721		HD 2.5/30 CS	ARTICLE ONLY AVAILABLE AT KNA
8	9.196-052.0	Hex Flange Cap Screw 5/16-18 x 3/4"	1.000	ST	0000000000	0000000000		ARTICLE ONLY AVAILABLE AT KNA
8	9.196-052.0	Hex Flange Cap Screw 5/16-18 x 3/4"	2.000	ST	104041		G 3050 OH AUS	
8	9.196-052.0	Hex Flange Cap Screw 5/16-18 x 3/4"	2.000	ST	103220		G 3050 *KAP	
9	9.183-411.0	Rubber buffer	1.000	ST	0000000000	0000000000		ARTICLE ONLY AVAILABLE AT KNA
9	9.183-411.0	Rubber buffer	2.000	ST	104041		G 3050 OH AUS	
9	9.183-411.0	Rubber buffer	2.000	ST	102721		HD 2.5/30 CS	
9	9.183-411.0	Rubber buffer	2.000	ST	103220		G 3050 *KAP	
10	9.134-022.0	Name plate	1.000	ST				ARTICLE ONLY AVAILABLE AT KNA
11	9.196-049.0	Nylon Rivet	4.000	ST				ARTICLE ONLY AVAILABLE AT KNA
12	9.138-383.0	Universal Top Plate Label-5 Nozzles	1.000	ST			G 3025 OH & G 3050 OH/AUS/KAP Models	ARTICLE ONLY AVAILABLE AT KNA
12		TOP PLATE LABEL-5 NOZZLE	1.000	ST			G 3050 OHC Model	ARTICLE ONLY AVAILABLE AT KNA
13		3000 PSI-UNIVERSAL PLATE LABEL - AUS	1.000	ST			G 3050 OH AUS	
13	9.138-398.0	3000 PSI-Universal Plate Label	1.000	ST			G 3025 OH & G 3050 OH/KAP Model	ARTICLE ONLY AVAILABLE AT KNA



**10 Frame**

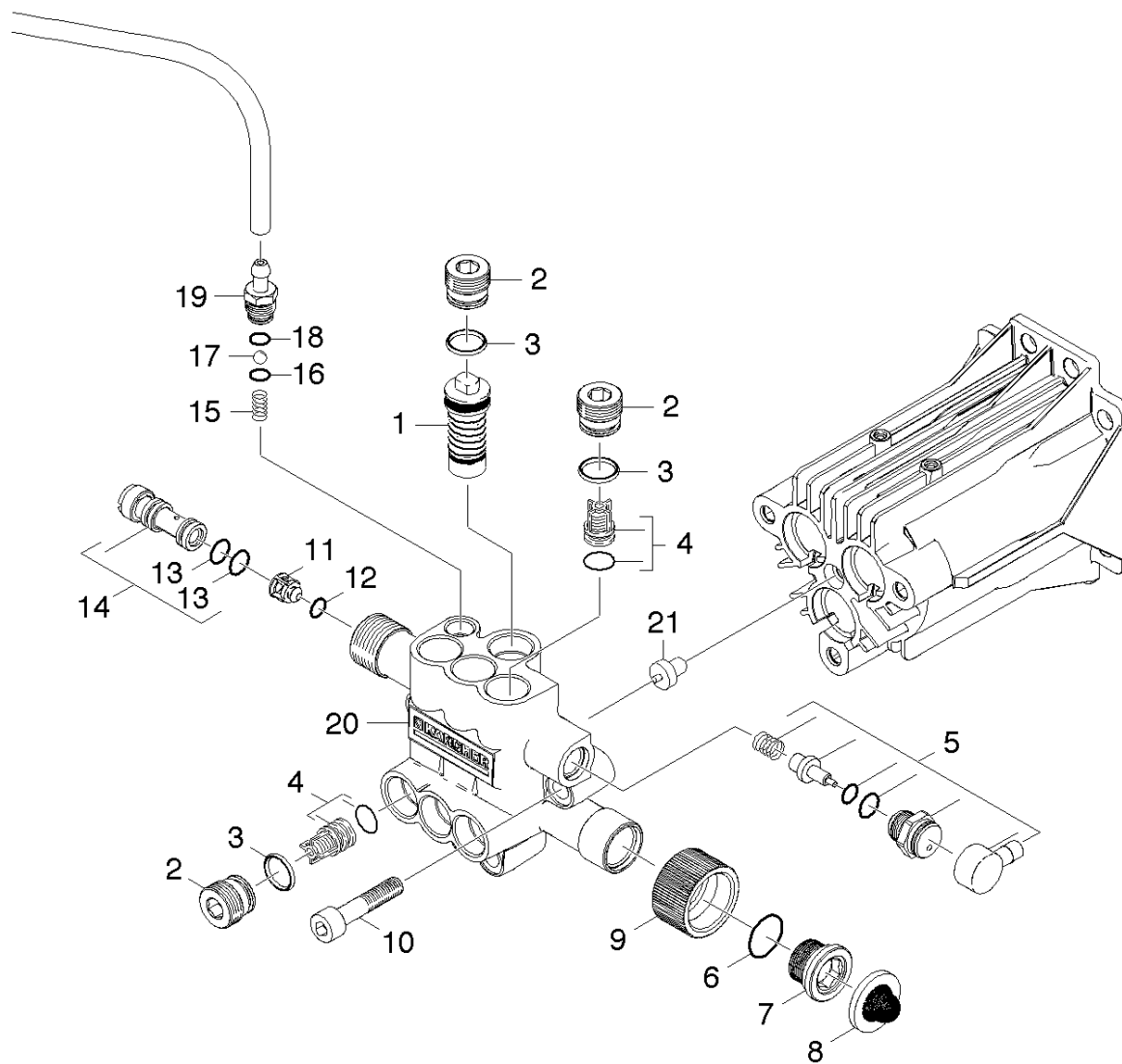
---

Pos	Material #	Name	Qty.	Unit	from ser.nr.	up to ser.nr.	var. information	Footnote text
14	5.387-620.0	Warning sticker-Prevent from freezing	1.000	ST			G 3025 OH & G 3050 OH/AUS/KAP Models	ARTICLE ONLY AVAILABLE AT KNA

**20 Pump set**

---

Pos	Material #	Name	Qty.	Unit	var. information	Footnote text
21		Cylinder head	1.000	ST	VERSION 1	ARTICLE ONLY AVAILABLE AT KNA
22		Piston	1.000	ST	VERSION 1	ARTICLE ONLY AVAILABLE AT KNA
23		Cylinder head	1.000	ST	VERSION 2	ARTICLE ONLY AVAILABLE AT KNA
24	8.921-431.0	PISTON	1.000	ST	VERSION 2	ARTICLE ONLY AVAILABLE AT KNA



## 21 Cylinder head

ET/VT (spare/wear parts)	Pos	Material #	Name	Qty.	Unit	Footnote text
	1	9.175-007.0	Unloader Assembly	1.000	ST	
	2	9.154-036.0	M18 PIPE PLUG	7.000	ST	
X-X	3	6.362-480.0	O-Ring seal 12,42x 1,78	9.000	ST	
X-X	4	2.884-916.0	Valve (3 Stück)	2.000	ST	3 QTY.
	5	9.139-194.0	SPARE PARTS LIST-SET2	1.000	ST	
	6	6.362-634.0	O-Ring seal 15,6 x 1,78-NBR 70	1.000	ST	
X-X	7	9.134-019.0	MALE ADAPTER	1.000	ST	
X-X	8	9.181-005.0	FILTER SEAL-HOSE CONNECTOR-	1.000	ST	
	9	9.155-013.0	FEMALE HOSE CONNECTOR	1.000	ST	
	10	7.306-075.0	Cylinder head screw M 8x 40-8.8-A2E ISO	3.000	ST	
X-X	11	5.584-091.0	Valve pin check valve	1.000	ST	
X-X	12	6.363-613.0	O-Ring seal 4 x 2 -NBR90	1.000	ST	
X-X	13	6.362-384.0	O-Ring seal 9x1,5 - NBR 70	1.000	ST	
X	14	4.769-034.0	Nozzle insert only for replacement	1.000	ST	
	15	5.332-258.0	Helical spring	1.000	ST	
X-X	16	6.362-175.0	O-Ring seal 5,28x 1,78	1.000	ST	
	17	7.401-908.0	Sphere 7 G300 -1.4301 DIN 5401	1.000	ST	
	18	6.362-451.0	O-Ring seal 8,0 x 1,0	1.000	ST	
	19	5.443-448.0	Nipple chemistry	1.000	ST	
	20	9.135-004.0	CYLINDER HEAD-MACHINED	1.000	ST	
	21	9.177-305.0	MOLDED RUBBER END CAP	1.000	ST	

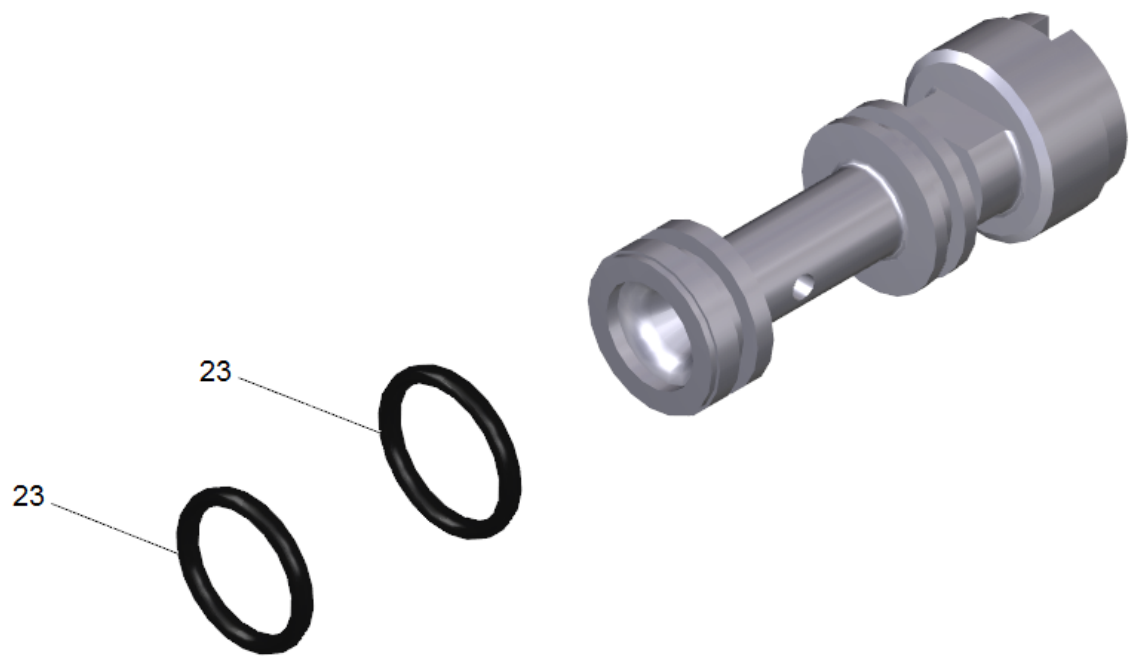


**4 Valve (3 Stück) (2.884-916.0)**

---

ET/VT (spare/wear parts)	Pos	Material #	Name	Qty.	Unit
X	15	6.362-077.0	O-Ring seal 10 x 2,2 NBR 70	1.000	ST

---



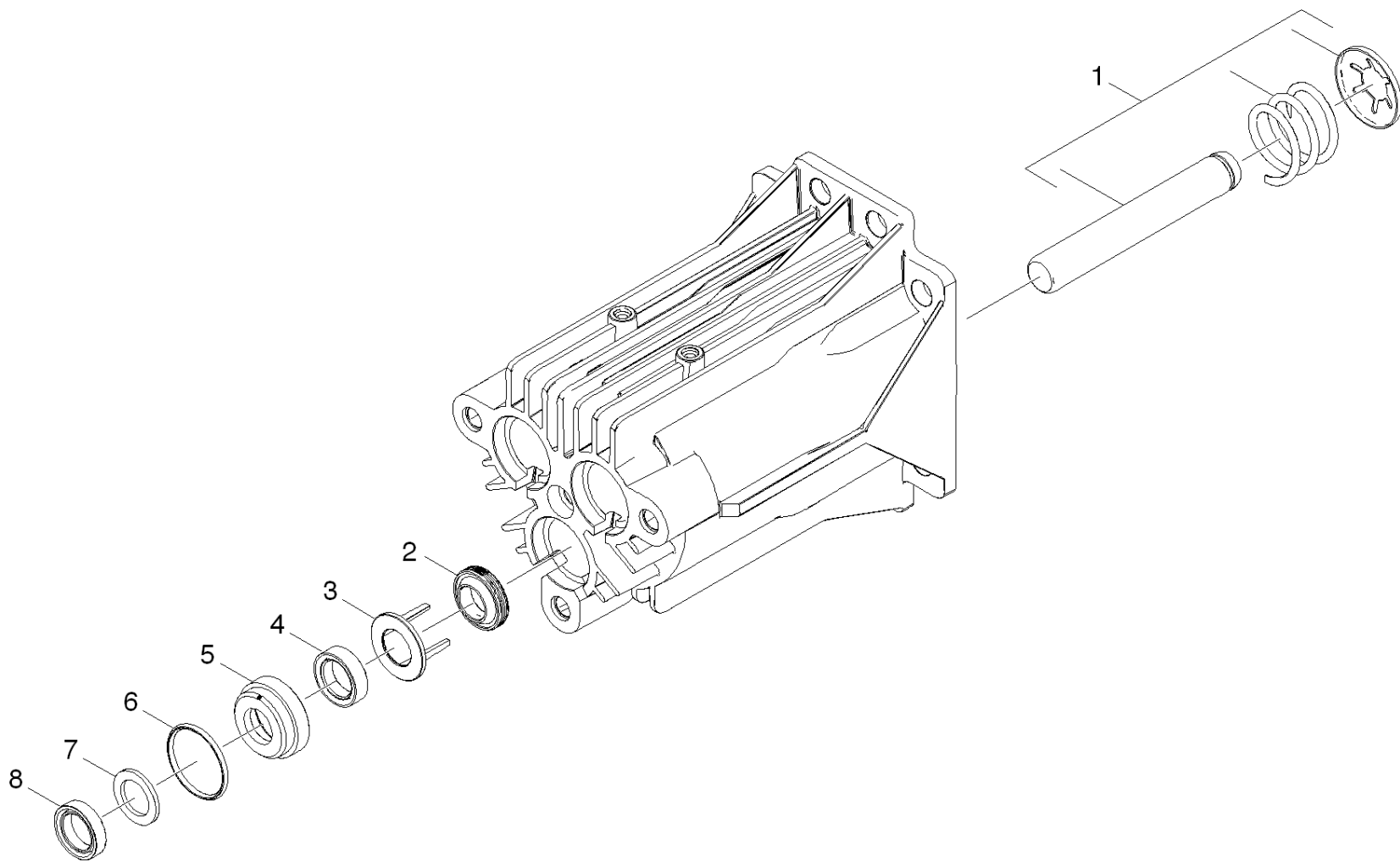
**14 Nozzle insert only for replacement (4.769-034.0)**

---

ET/VT (spare/wear parts)	Pos	Material #	Name	Qty.	Unit
X-X	23	6.362-384.0	O-Ring seal 9x1,5 - NBR 70	2.000	ST

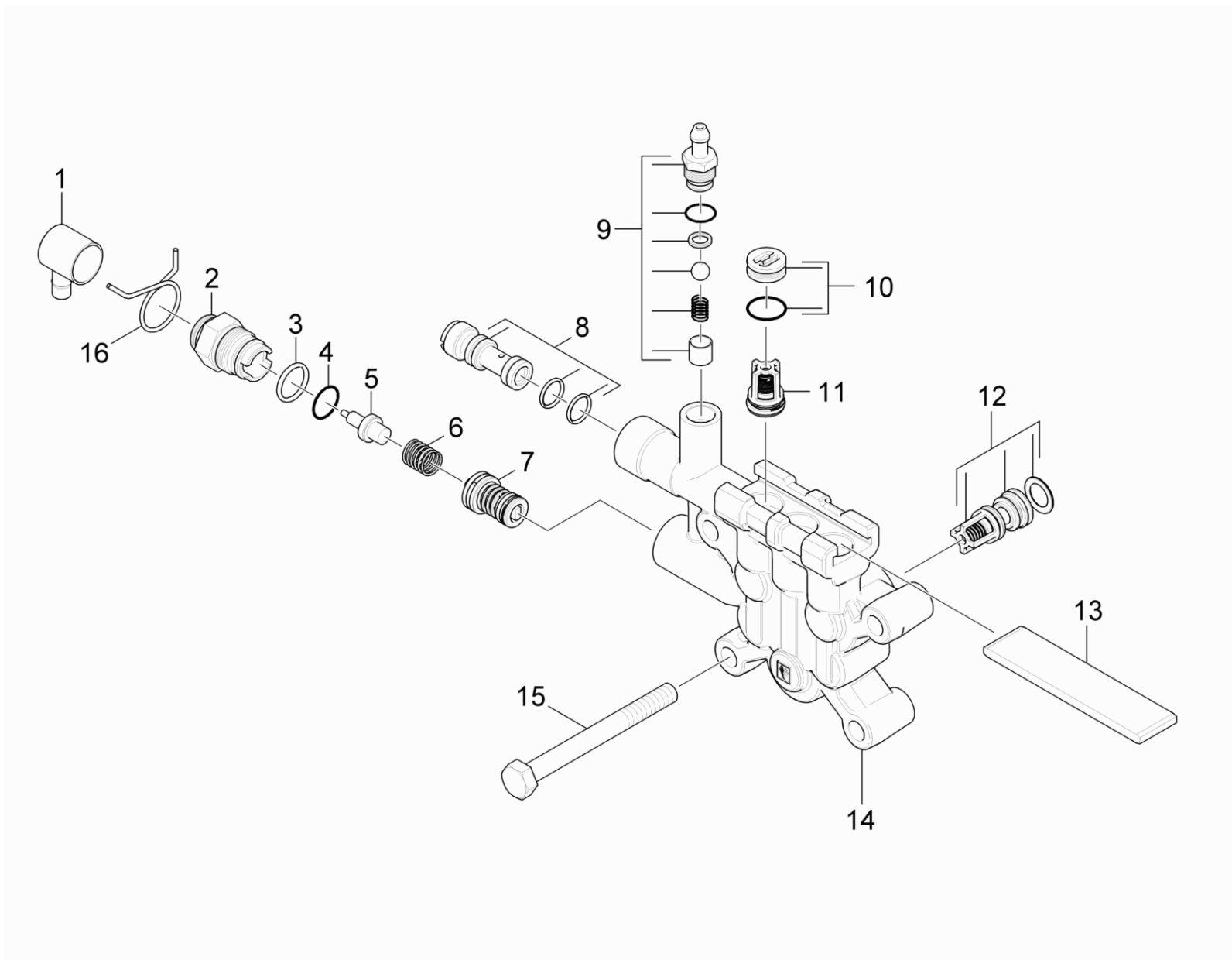
---





## 22 Piston

ET/VT (spare/wear parts)	Pos	Material #	Name	Qty.	Unit
	1	9.139-193.0	KIT,SPARE PARTS LIST-SET1, PISTON/SPRING	3.000	ST
X-X	2	6.365-393.0	Oil sealing 12x20x4/6	3.000	ST
	3	9.134-016.0	SPACER-OIL SEAL & SEAL HSG.	3.000	ST
X-X	4	6.363-058.0	Grooved ring 12x18x5 (90Shore)	3.000	ST
	5	9.155-011.0	HOUSING-LOW PRESSURE SEAL	3.000	ST
X-X	6	6.362-833.0	O-Ring seal 21,5 x 1,78	3.000	ST
X-X	7	9.177-310.0	BACK RING-HIGH PRESSURE SEAL-	3.000	ST
X-X	8	9.177-301.0	HIGH PRESSURE SEAL	3.000	ST

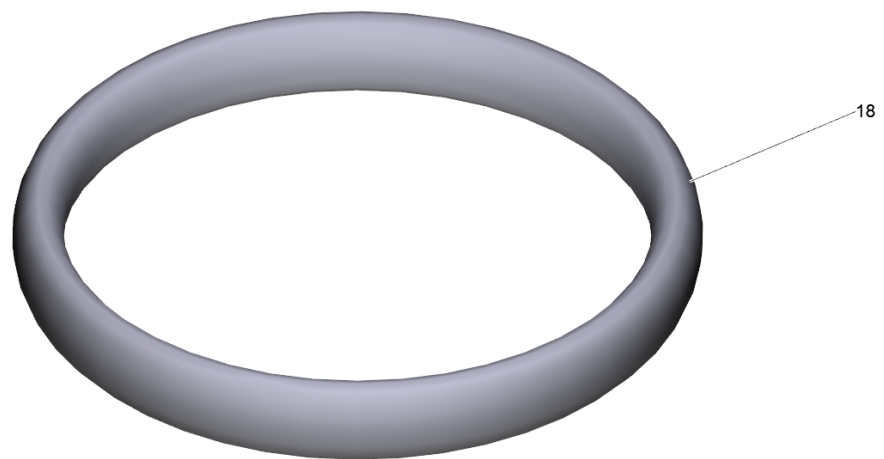
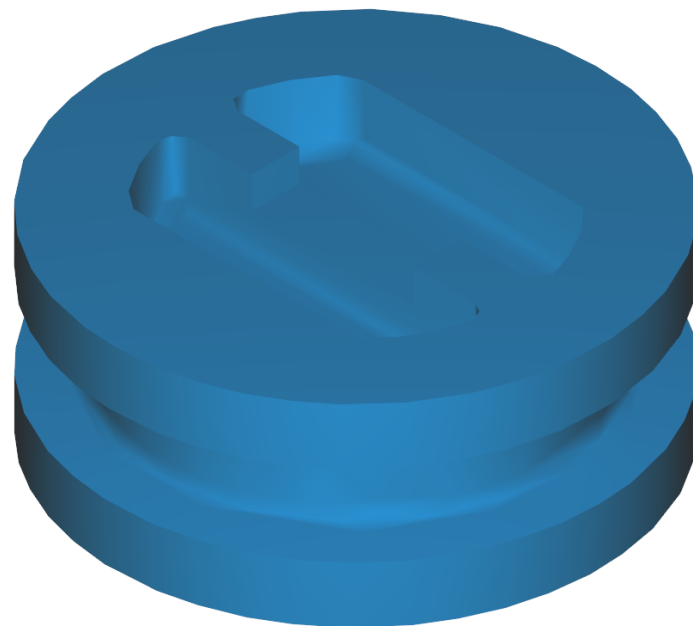


## 23 Cylinder head

ET/VT (spare/wear parts)	Pos	Material #	Name	Qty.	Unit	Footnote text
	1	8.752-076.0	VALVE, THERMAL COVER-LONG	1.000	ST	
	2	9.184-018.0	Valve screw	1.000	ST	
X-X	3	6.362-480.0	O-Ring seal 12,42x 1,78	1.000	ST	
	4	7.362-507.0	O-Ring seal 8x2-NBR 90 DIN 3770	1.000	ST	
	5	6.413-403.0	Therموالve 60°	1.000	ST	
	6	5.332-290.0	Helical spring	1.000	ST	
X	7	9.175-005.0	Unloader Assembly	1.000	ST	
	8	9.139-372.0	SPARE PART LIST NOZZLE INS 020/021 PUMP	1.000	ST	
X-X	9	2.883-862.0	Spare part set chemistry	1.000	ST	
X-X	10	4.132-007.0	Drain plug only for replacement	3.000	ST	
X-X	11	2.884-916.0	Valve (3 Stück)	1.000	ST	SET CONSITSTS OF 3X VALVE
X	12	9.139-376.0	Valve 3 St.	1.000	ST	SET CONSITSTS OF 3X VALVE
	13	5.003-062.0	Plate	1.000	ST	
	14	9.135-015.0	Cylinder Head-Machined	1.000	ST	
	15	7.304-098.0	Hexagonal head screw M8x80-8.8-A2E ISO	4.000	ST	
	16	8.752-032.0	CLAMP, TENSION SPRING OD 11/16"	1.000	ST	

**9 Spare part set chemistry (2.883-862.0)**

ET/VT (spare/wear parts)	Pos	Material #	Name	Qty.	Unit	from ser.nr.	up to ser.nr.
	10	5.110-714.0	Sleeve	1.000	ST	0000000000	0000000000
	20	5.332-258.0	Helical spring	1.000	ST	0000000000	0000000000
	30	5.380-014.0	Label	1.000	ST	0000000000	0000000000
	40	5.443-448.0	Nipple chemistry	1.000	ST	0000000000	0000000000
X-X	50	6.362-175.0	O-Ring seal 5,28x 1,78	1.000	ST	0000000000	0000000000
	60	6.362-451.0	O-Ring seal 8,0 x 1,0	1.000	ST	0000000000	0000000000
	70	7.401-909.0	Sphere 7 G40 -1.4401 DIN 5401	1.000	ST	0000000000	0000000000

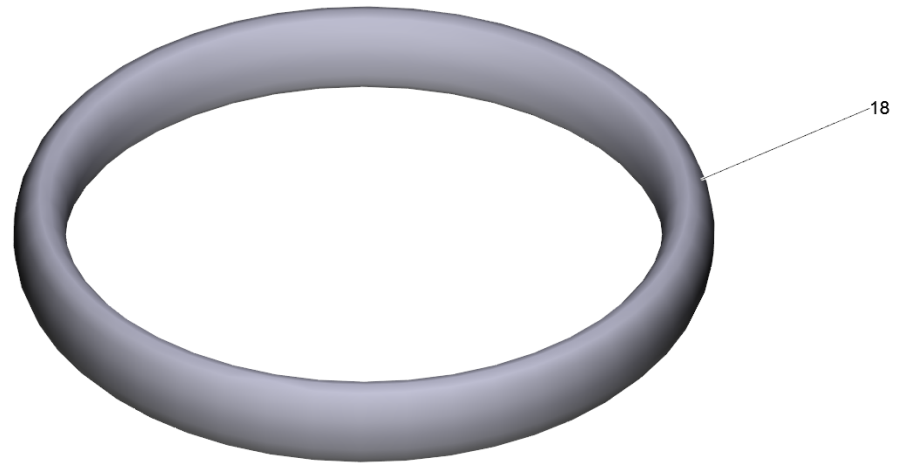
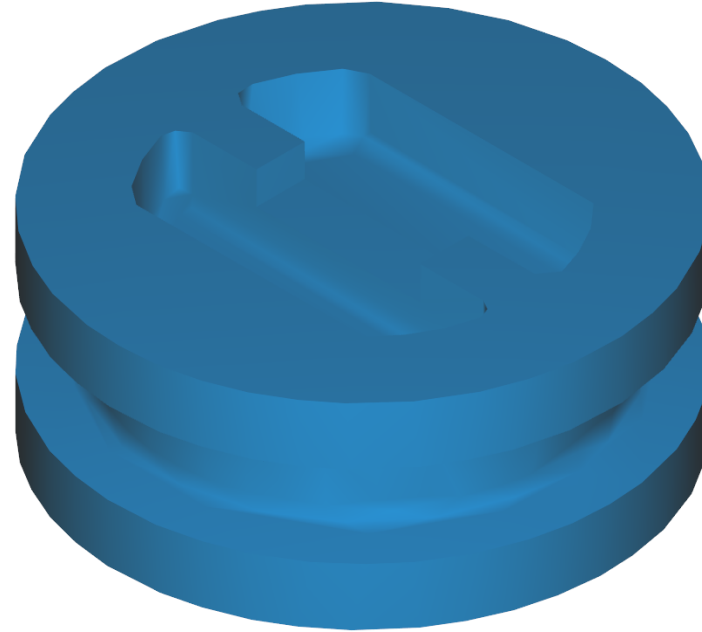


**10 Drain plug only for replacement (4.132-007.0)**

---

Pos	Material #	Name	Qty.	Unit
18	6.362-458.0	O-Ring seal 11,0x2,0-NBR 70	1.000	ST

---



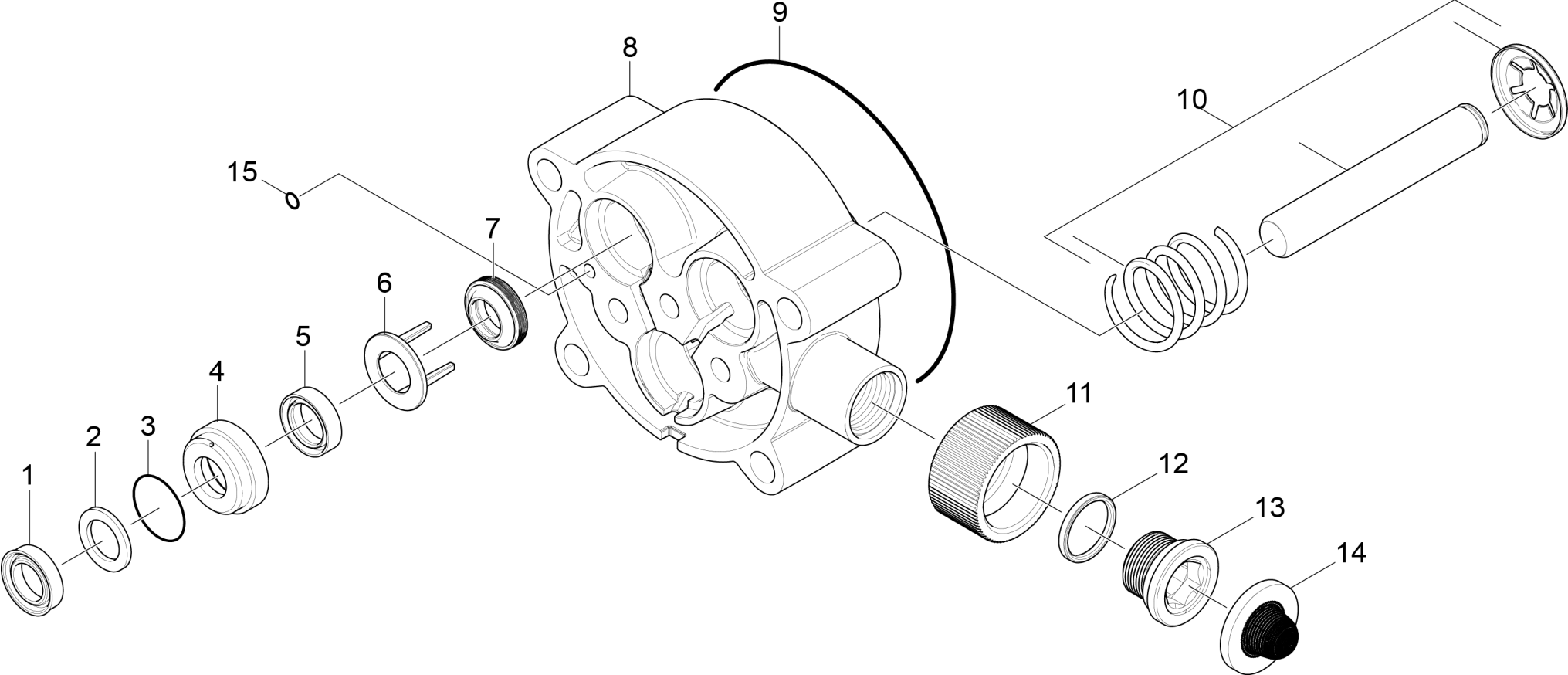


**11 Valve (3 Stück) (2.884-916.0)**

---

ET/VT (spare/wear parts)	Pos	Material #	Name	Qty.	Unit
X	15	6.362-077.0	O-Ring seal 10 x 2,2 NBR 70	1.000	ST

---



**24 PISTON (8.921-431.0)**

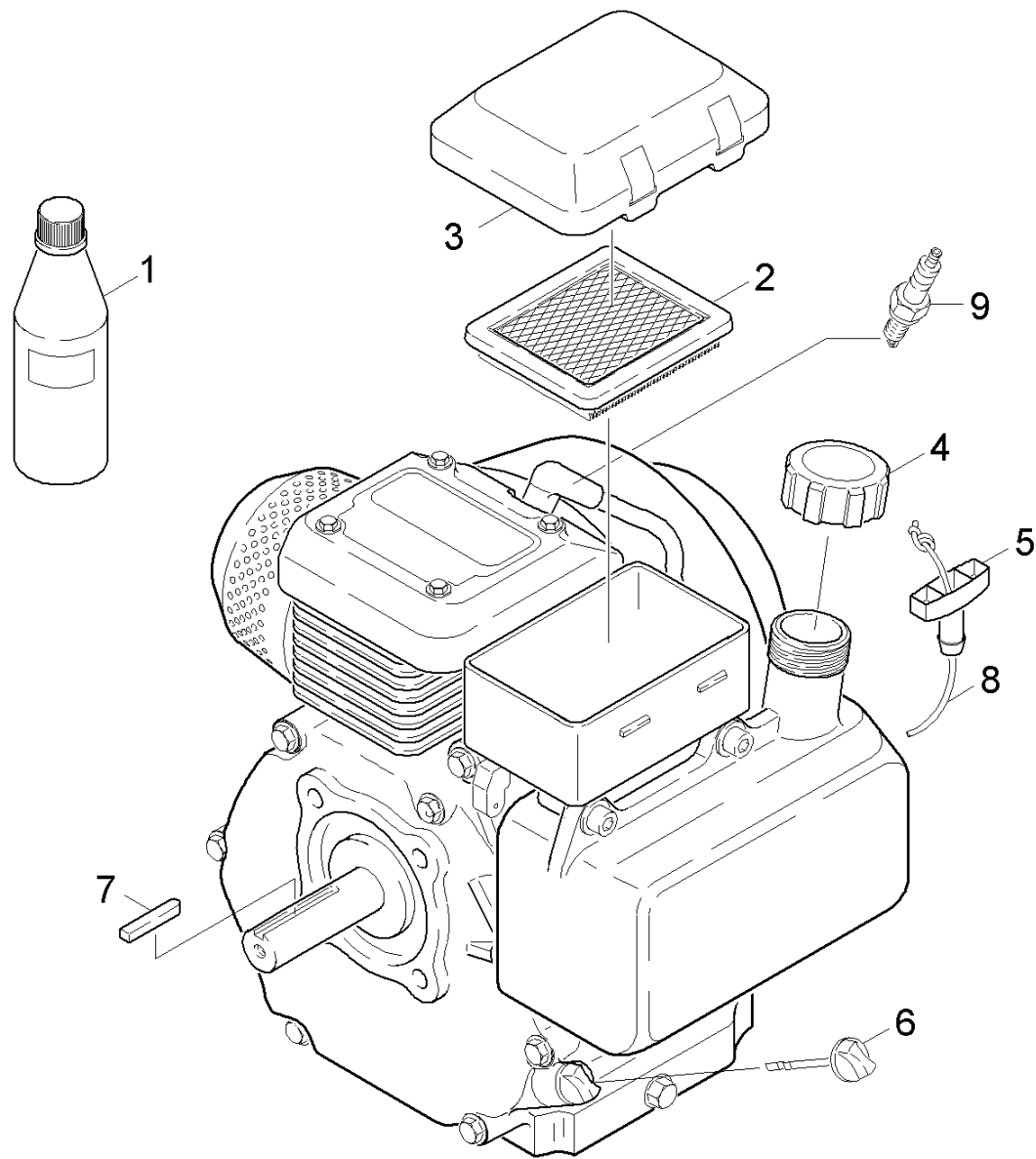
ET/VT (spare/wear parts)	Pos	Material #	Name	Qty.	Unit	Footnote text
X-X	1	9.177-301.0	HIGH PRESSURE SEAL	3.000	ST	ARTICLE ONLY AVAILABLE AT KNA
X-X	2	9.177-310.0	BACK RING-HIGH PRESSURE SEAL-	3.000	ST	ARTICLE ONLY AVAILABLE AT KNA
X-X	3	6.362-833.0	O-Ring seal 21,5 x 1,78	3.000	ST	ARTICLE ONLY AVAILABLE AT KNA
	4	9.155-011.0	HOUSING-LOW PRESSURE SEAL	3.000	ST	ARTICLE ONLY AVAILABLE AT KNA
X-X	5	6.363-058.0	Grooved ring 12x18x5 (90Shore)	3.000	ST	ARTICLE ONLY AVAILABLE AT KNA
	6	9.134-016.0	SPACER-OIL SEAL & SEAL HSG.	3.000	ST	ARTICLE ONLY AVAILABLE AT KNA
X-X	7	6.365-393.0	Oil sealing 12x20x4/6	3.000	ST	ARTICLE ONLY AVAILABLE AT KNA
	8	9.133-007.0	Piston Guide-Machined	1.000	ST	ARTICLE ONLY AVAILABLE AT KNA
	9	6.362-471.0	O-Ring seal 80,0 X 3,0 -NBR 70	1.000	ST	ARTICLE ONLY AVAILABLE AT KNA
	10	9.139-370.0	SPARE PART LIST PISTON 020/021 PUMP	3.000	ST	ARTICLE ONLY AVAILABLE AT KNA
	11	9.155-013.0	FEMALE HOSE CONNECTOR	1.000	ST	ARTICLE ONLY AVAILABLE AT KNA
X	12	6.362-390.0	O-Ring seal 15,6 X 1,78	1.000	ST	ARTICLE ONLY AVAILABLE AT KNA
X-X	13	9.134-019.0	MALE ADAPTER	1.000	ST	ARTICLE ONLY AVAILABLE AT KNA
X-X	14	9.181-005.0	FILTER SEAL-HOSE CONNECTOR-	1.000	ST	ARTICLE ONLY AVAILABLE AT KNA
	15	6.363-626.0	O-Ring seal 4,47x1,78 -NBR90	1.000	ST	ARTICLE ONLY AVAILABLE AT KNA

**30 Motor**

---

Pos	Name	Qty.	Unit	var. information
31	Motor	1.000	ST	
32	Transmission	1.000	ST	VERSION 1
33	TRANSMISSION	1.000	ST	VERSION 2

---

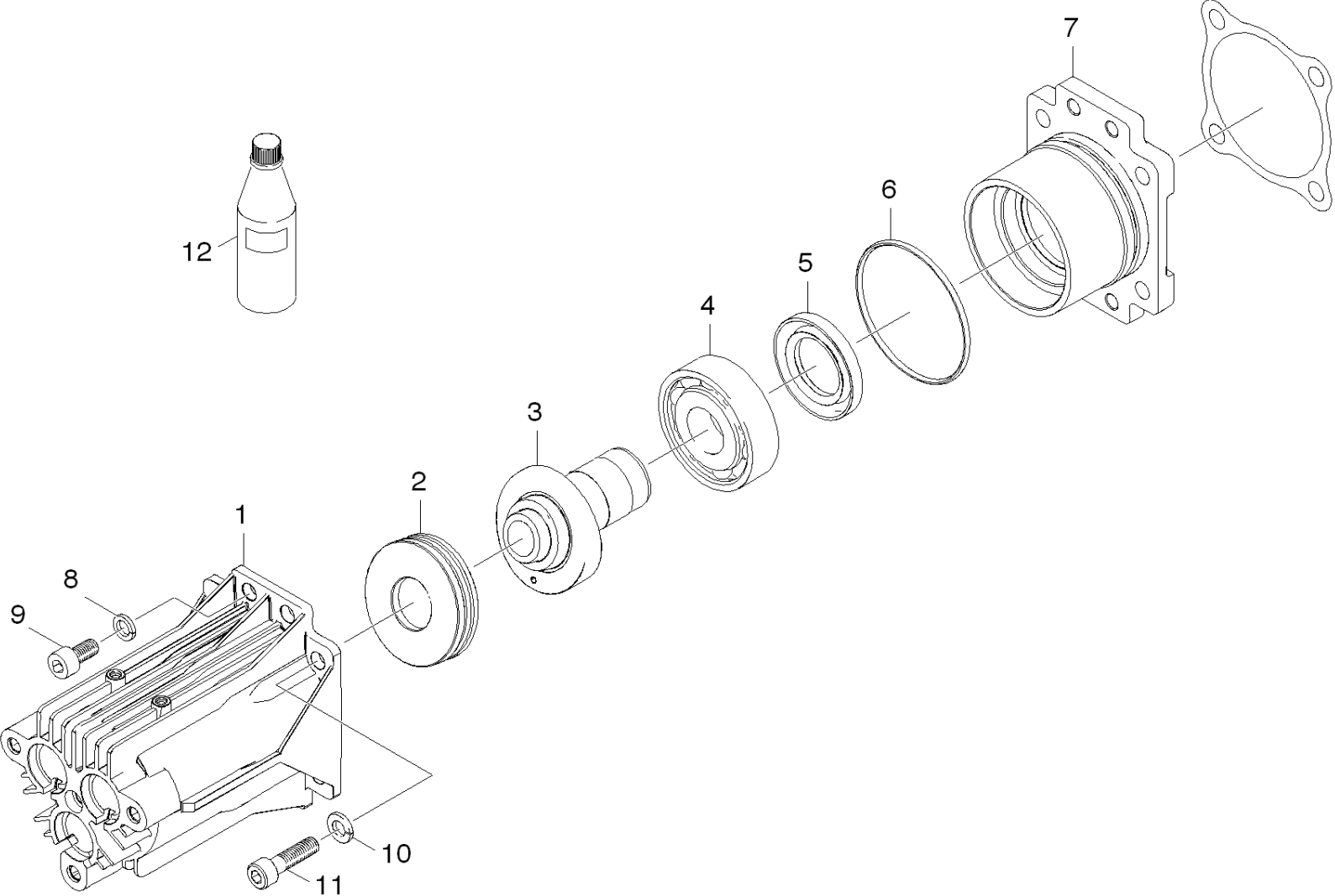


**31 Motor**

---

ET/VT (spare/wear parts)	Pos	Material #	Name	Qty.	Unit
X-X	1	6.288-050.0	Engine oil 1L	1.000	ST
	2	6.491-726.0	Air filter insert	1.000	ST
	3	9.194-543.0	Cover	1.000	ST
	4	6.491-723.0	Cap of a tank	1.000	ST
	5	6.491-503.0	Handhold	1.000	ST
	6	9.194-531.0	OIL DIP ROD	1.000	ST
	7	9.194-883.0	Shaft key 3/16"SQx1.5"	1.000	ST
	8	6.491-546.0	Pull cord	1.000	ST
	9	6.491-550.0	Ignition plug BPR6ES	1.000	ST

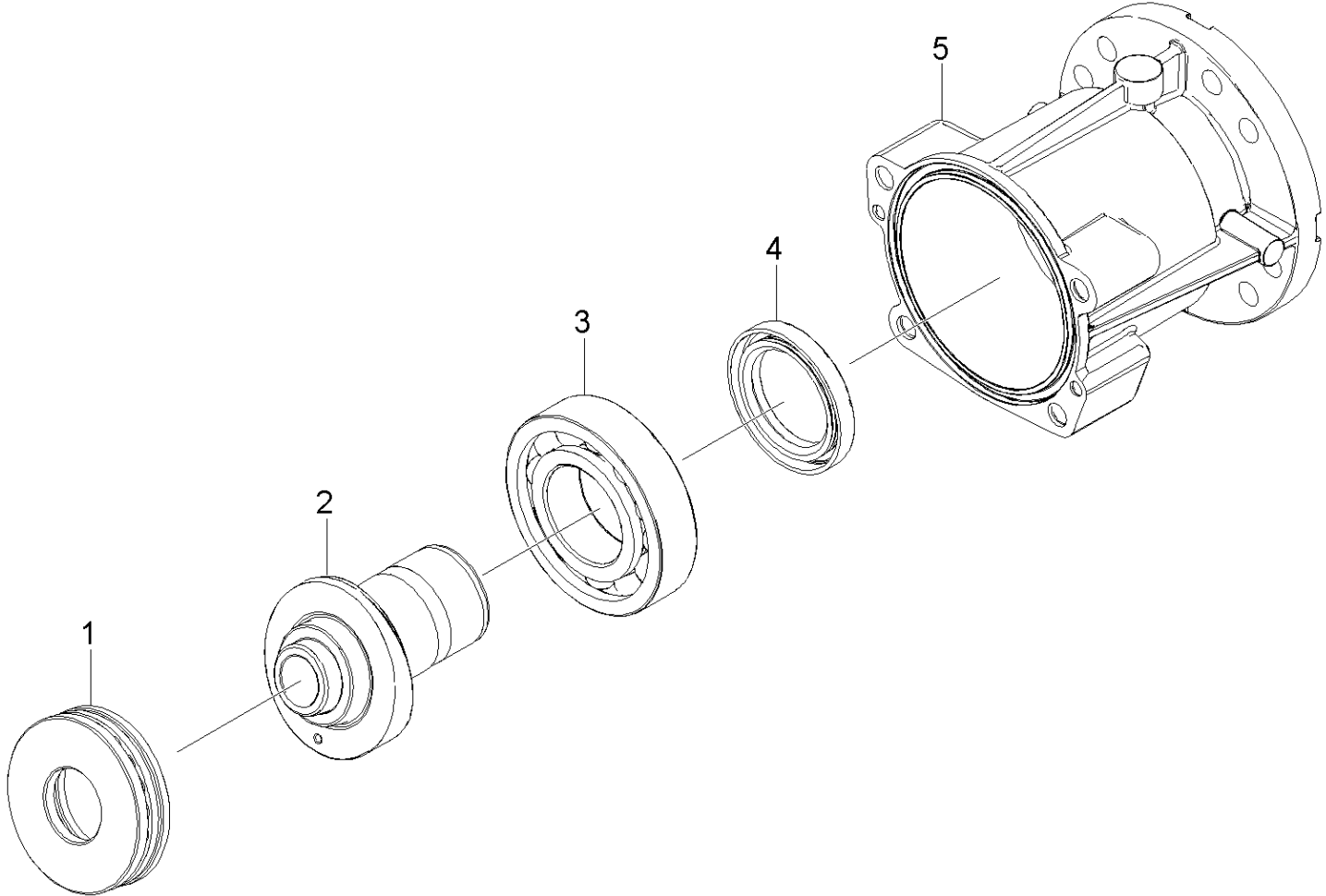
---



### 32 Transmission

Pos	Material #	Name	Qty.	Unit
1	9.135-006.0	SHORT OIL HOUSING AND PISTON GUIDE	1.000	ST
2	9.165-355.0	GROOVED BALL BEARING	1.000	ST
3	9.154-037.0	MOLDED SLEEVE-WOBBLE SHAFT-MACHINED-	1.000	ST
4	6.401-260.0	Angular contact ball bearing	1.000	ST
5	9.177-309.0	RADIAL SEAL, 30 x 52 x 7	1.000	ST
6	6.362-537.0	O-Ring seal 63,17x 2,62	1.000	ST
7	9.135-005.0	FLANGE SPACER-MACHINED-	1.000	ST
8	7.313-051.0	Spring washer 8-FST-A3E DIN 7980	4.000	ST
9	7.306-040.0	Cylinder head screw M8x16 -8.8-A2E ISO4	4.000	ST
10	5.115-656.0	Washer	4.000	ST
11	6.965-007.0	5/16-24X1 GR 5 SHCS THRU HARDENED ZC	4.000	ST
12	6.288-112.0	Engine oil 1L	1.000	ST



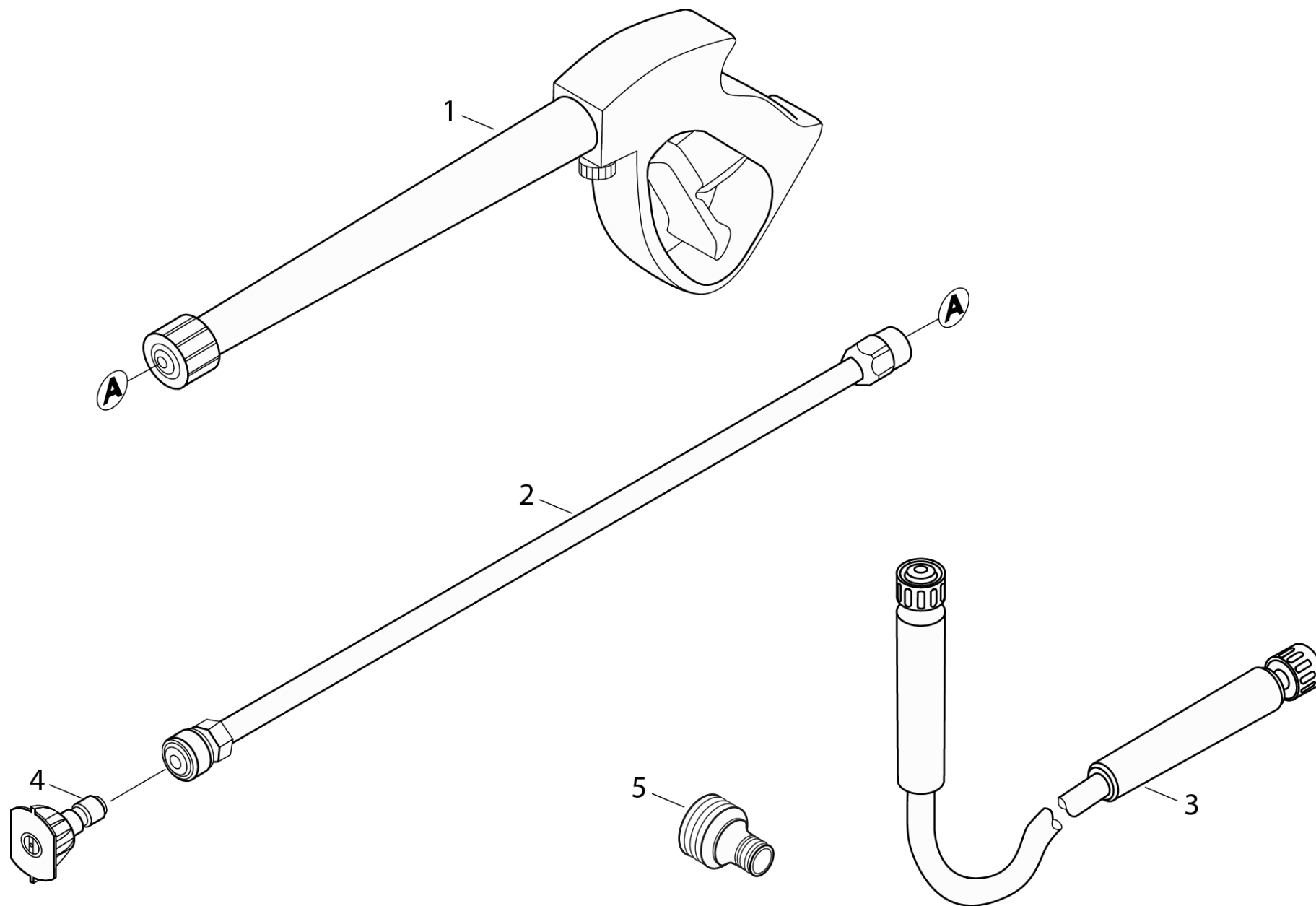


**33 TRANSMISSION**

---

<b>Pos</b>	<b>Material #</b>	<b>Name</b>	<b>Qty.</b>	<b>Unit</b>
1	9.165-355.0	GROOVED BALL BEARING	1.000	ST
2	9.135-018.0	Swash Plate Horizontal-Machined	1.000	ST
3	9.165-356.0	BALL BEARING NO. 6207	1.000	ST
4	9.177-314.0	Radial Seal, 35x52x7	1.000	ST
5	9.135-016.0	Oil Housing Vertical Machined	1.000	ST

---



#### 40 Accessories

ET/VT (spare/wear parts)	Pos	Material #	Name	Qty.	Unit	var. information	Footnote text
	1	8.754-381.0	MV925 GUN 4500 PSI	1.000	ST	G 3050 *KAP Model	ARTICLE ONLY AVAILABLE AT KNA
	1	9.112-012.0	AL BIT101 TRIGGER GUN	1.000	ST	G 3025 OH & G 3050 OH/OHC Models	ARTICLE ONLY AVAILABLE AT KNA
	2	9.112-533.0	Lance-AL Quick Connect-Male 3000 psi	1.000	ST		ARTICLE ONLY AVAILABLE AT KNA
	3	9.162-320.0	HP HOSE 50' RUBBER DN6/210 BAR	1.000	ST	G 3050 OH *KAP Model	ARTICLE ONLY AVAILABLE AT KNA
	3	8.753-423.0	HOSE, HP DN6 25FT, 3600PSI M22	1.000	ST	G 3025 OH & G 3050 OH/OHC Models	ARTICLE ONLY AVAILABLE AT KNA
X-X	3	6.391-419.0	High pressure hose K/Parts DN8 max.31,5M	1.000	ST	G 3050 OH AUS Model	ARTICLE ONLY AVAILABLE AT KNA
	4	9.104-024.0	QUICK CONNECT NOZZLE KIT (030)	1.000	ST	G 3050 OH *KAP Model	ARTICLE ONLY AVAILABLE AT KNA
	4	9.104-016.0	QUICK CONNECT NOZZLE KIT (0325)	1.000	ST	G 3025 OH & G 3050 OH/OHC/AUS Models	ARTICLE ONLY AVAILABLE AT KNA
	5	6.645-538.0	Tap adaptor complete US w/m thread	1.000	ST		

**3 High pressure hose K/Parts DN8 max.31,5M (6.391-419.0)**

---

Name	Qty.	Unit
Spare parts list HD-Schläuche K/Parts	1.000	ST

---

**0 Spare parts list HD-Schläuche K/Parts**

---

Pos	Name	Qty.	Unit
10	High pressure hoses	1.000	ST

---



keine Zeichnung vorhanden  
no drawing available

## 10 High pressure hoses

---

ET/VT (spare/wear parts)	Pos	Material #	Name	Qty.	Unit	Footnote text
X-X	1	4.363-691.0	O-Ring seal kpl. -nur fuer Ersatz-	1.000	ST	DIAMETER = 11mm
X-X	1	6.363-115.0	O-Ring seal complete 1ST.-R.	1.000	ST	DIAMETER = 10 mm
	2	2.883-254.0	O-Ring kit neutrally	1.000	ST	

---