



# Spare parts list

(11948010) G 4000 OH servo press

2008 03

91393570

[www.kaercher.com](http://www.kaercher.com)

**EN**

# CONTENT LIST

**1.0 Frame**

**2.0 Pump set**

**2.1 Cylinder head**

**2.2 Piston**

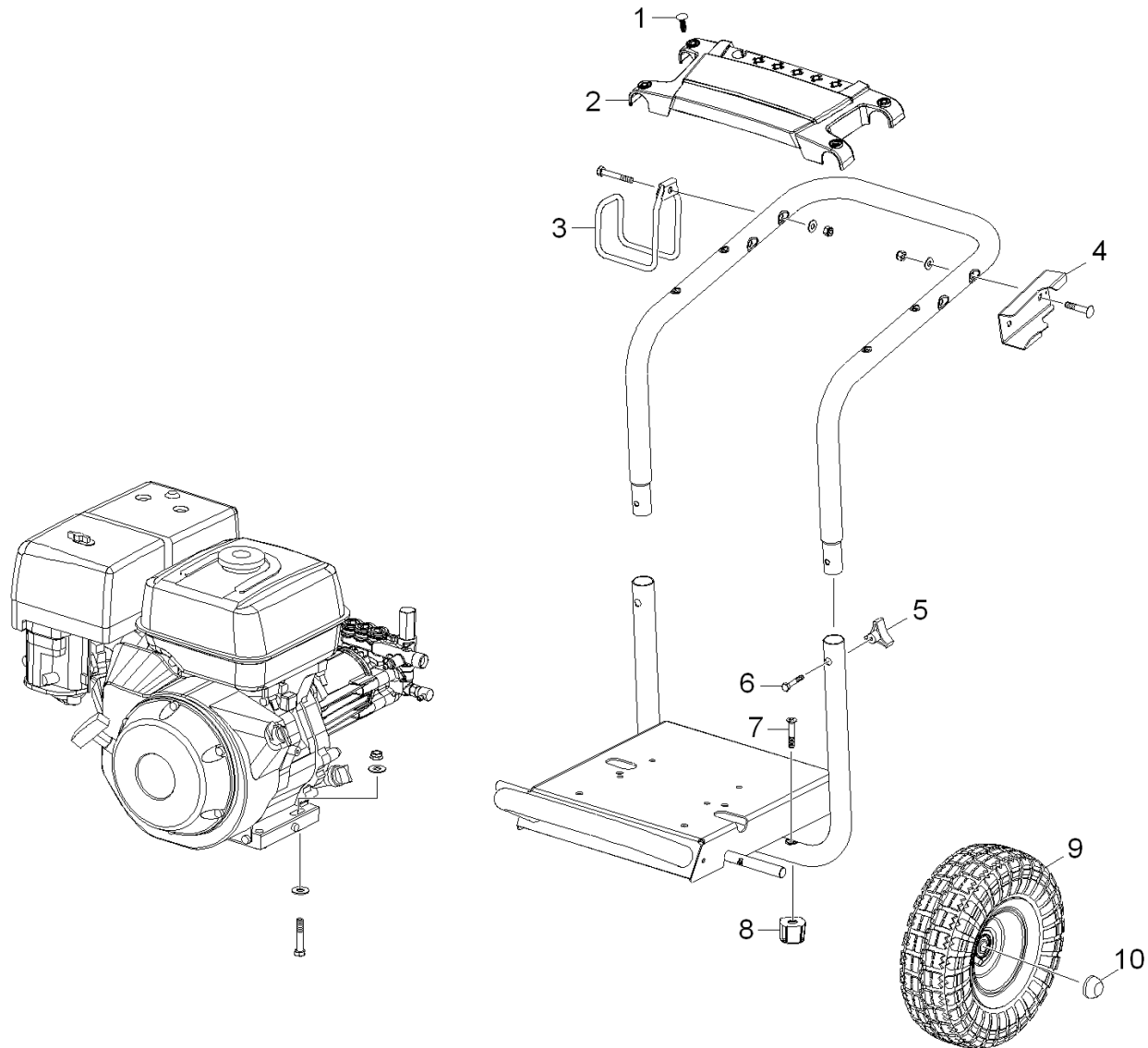
**3.0 Motor**

**3.1 Motor**

**3.2 Transmission**

**4.0 Accessories**

# 1.0 Frame



## 1.0 Frame

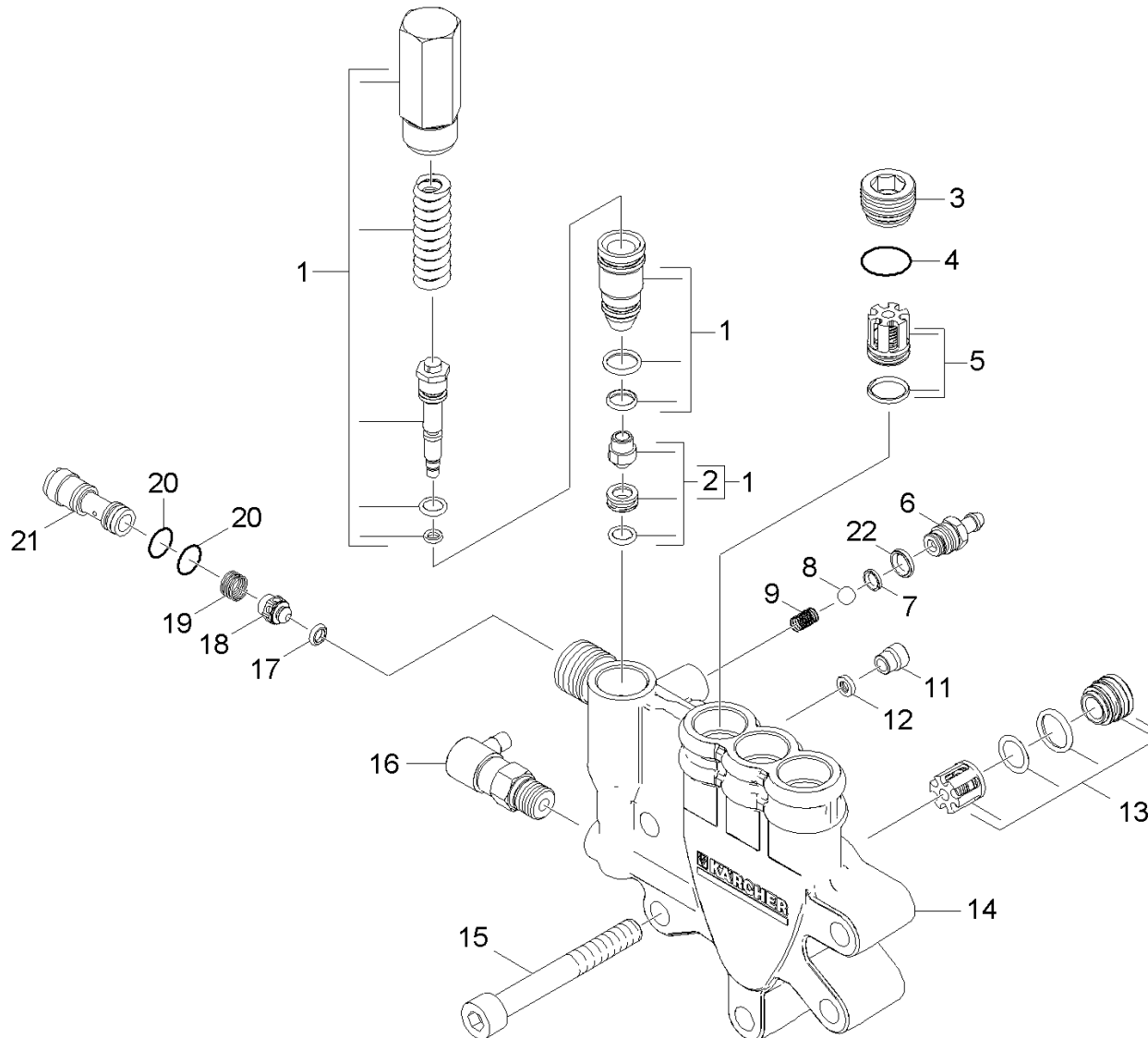
| POS | DESCRIPTION<br>ADDITIONAL INFORMATIONS  | PART NO  | QTY. | FROM SER.NR. | UP TO SER. NR. |
|-----|---|----------|------|--------------|----------------|
| 1   | Nylon Rivet                             | 91960490 | 4    |              |                |
| 2   | Name plate                              | 91340220 | 1    |              |                |
| 3   | POWDER COATED HOSE HANGER BLK WRKL      | 91423150 | 1    |              |                |
| 4   | POWDER COATED BLACK WRINKLE TRIGGER GUN | 91401520 | 1    |              |                |
| 5   | KNOB 1/4"-20,3PT. STAR                  | 91823530 | 2    |              |                |
| 6   | 1/4-20 x 1-1/2 GR 2 HEX BOLT ZINC       | 91963070 | 1    |              |                |
| 7   | FLAT HEAD M/S 5/16-18X1-3/4"            | 91960460 | 2    |              |                |
| 8   | RUBBER DAMPENER 5/16"-18FEMALE 2001     | 91834050 | 2    |              |                |
| 9   | WHEEL, 12" X 3.50" PNEU-BLACK RIMS      | 91890110 | 2    |              |                |
| 10  | CAP BLACK PLASTIC,5/8"FASTENER          | 91825060 | 2    |              |                |

## 2.0 Pump set

2.1 Cylinder head  
2.2 Piston



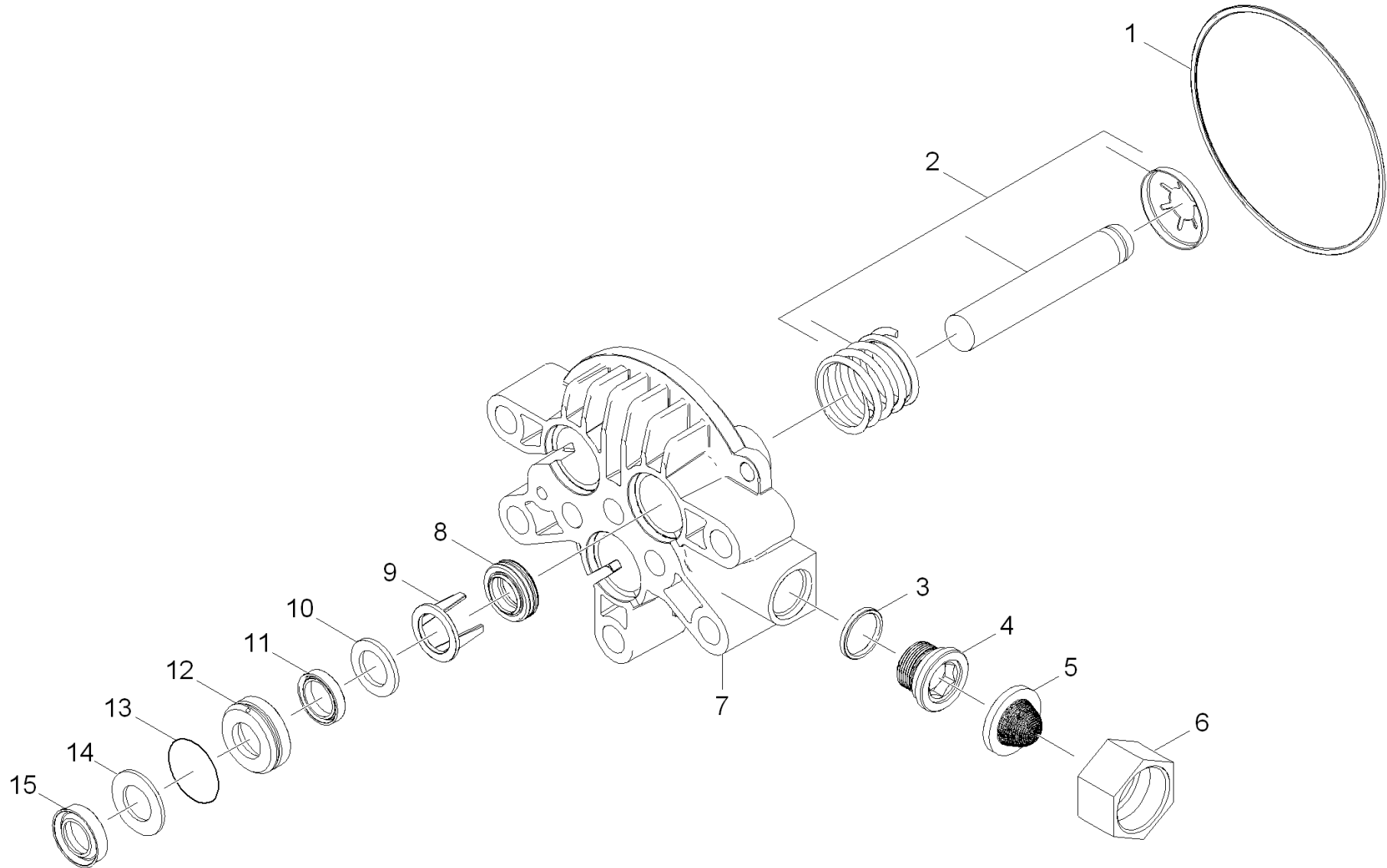
## 2.1 Cylinder head



## 2.1 Cylinder head

| POS | DESCRIPTION<br>ADDITIONAL INFORMATIONS | PART NO  | QTY. | FROM SER.NR. | UP TO SER. NR. |
|-----|--|----------|------|--------------|----------------|
| 1   | UNLOADER ASSY (9.120-019.0) PUMP       | 91750110 | 1    |              |                |
| 2   | Spare parts set seat excess-current    | 91393590 | 1    |              |                |
| 3   | Plug M22x1                             | 91540470 | 3    |              |                |
| 4   | O-Ring seal 14,0x2,0-NBR 80            | 63624810 | 3    |              |                |
| 5   | Valve (3 Stueck)                       | 28845120 | 1    |              |                |
|     | 3 QTY.                                 |          |      |              |                |
| 6   | Nipple chemistry                       | 54434480 | 1    |              |                |
| 7   | O-Ring seal 5,28x 1,78                 | 63621750 | 1    |              |                |
| 8   | Sphere 7 G40 -1.4401 DIN 5401          | 74019090 | 1    |              |                |
| 9   | Helical spring                         | 53322580 | 1    |              |                |
| 11  | Plug M10x1                             | 91540490 | 1    |              |                |
| 12  | RUPTURE DISK, 5000 psi                 | 91510140 | 1    |              |                |
| 13  | SPARE PART LIST 019 PUMP               | 91393640 | 1    |              |                |
|     | 3 QTY.                                 |          |      |              |                |
| 14  | Cylinder Head-Machined                 | 91350120 | 1    |              |                |
| 15  | Cylinder head screw M10X 80-8.8-A3E IS | 73060720 | 5    |              |                |
| 16  | THERMAL RELIEF VALVE                   | 91840130 | 1    |              |                |
| 17  | O-Ring seal 4 x 2 NBR 90               | 63628510 | 1    |              |                |
| 18  | VALVE PIN-BACK PRESSURE                | 91840120 | 1    |              |                |
| 19  | SPRING-VALVE PIN                       | 91570060 | 1    |              |                |
| 20  | O-Ring seal 9,0 x 1,5                  | 63623840 | 2    |              |                |
| 21  | Nozzle insert                          | 57691410 | 1    |              |                |
| 22  | O-Ring seal 8,0 x 1,0                  | 63624510 | 1    |              |                |

## 2.2 Piston





## 2.2 Piston

| POS | DESCRIPTION<br>ADDITIONAL INFORMATIONS | PART NO  | QTY. | FROM SER.NR. | UP TO SER. NR. |
|-----|--|----------|------|--------------|----------------|
| 1   | O-Ring seal 92X2 NBR 70                | 63630670 | 1    |              |                |
| 2   | SPARE PART OF PISTON 9.120-019.0 PUMP  | 91393580 | 3    |              |                |
| 3   | O-Ring seal 15,6 X 1,78                | 63623900 | 1    |              |                |
| 4   | MALE ADAPTER                           | 91340190 | 1    |              |                |
| 5   | FILTER SEAL-HOSE CONNECTOR-            | 91810050 | 1    |              |                |
| 6   | FEMALE HOSE CONNECTOR                  | 91550130 | 1    |              |                |
| 7   | Piston Guide-4000 psi                  | 91350130 | 1    |              |                |
| 8   | Grooved ring 14X22X5/7                 | 63653400 | 3    |              |                |
| 9   | Spacer                                 | 91823560 | 3    |              |                |
| 10  | BACK RING-LOW PRESSURE SEAL            | 91773110 | 3    |              |                |
| 11  | Grooved ring 14x20x4                   | 63654340 | 3    |              |                |
| 12  | HOUSING-LOW PRESSURE SEAL              | 91550140 | 3    |              |                |
| 13  | O-Ring seal 24,0 X 1,5                 | 63623760 | 3    |              |                |
| 14  | BACK RING-HIGH PRESSURE SEAL-          | 91773120 | 3    |              |                |
| 15  | Seal high pressure                     | 91773130 | 3    |              |                |

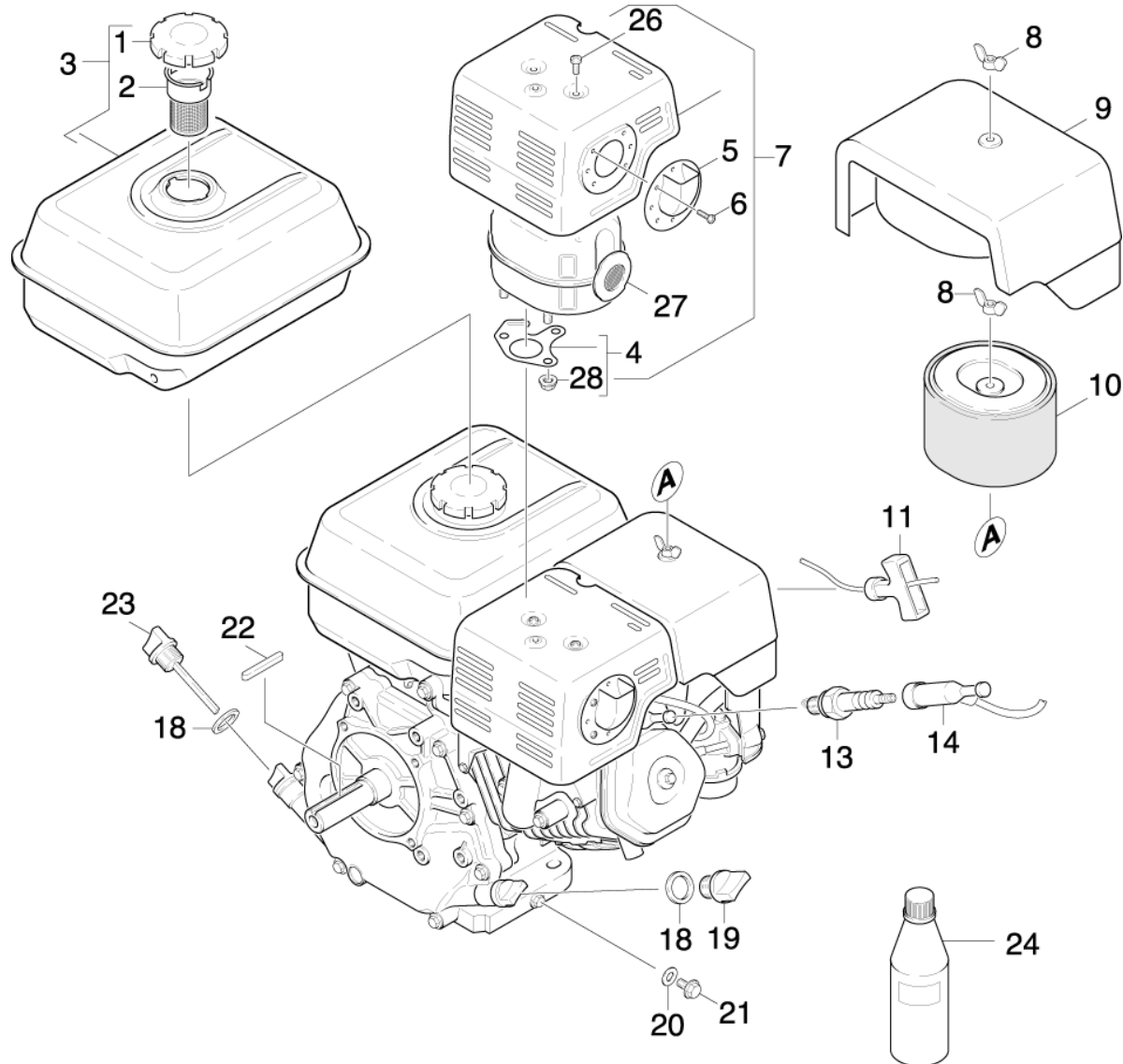
## 3.0 Motor

3.1 Motor

3.2 Transmission



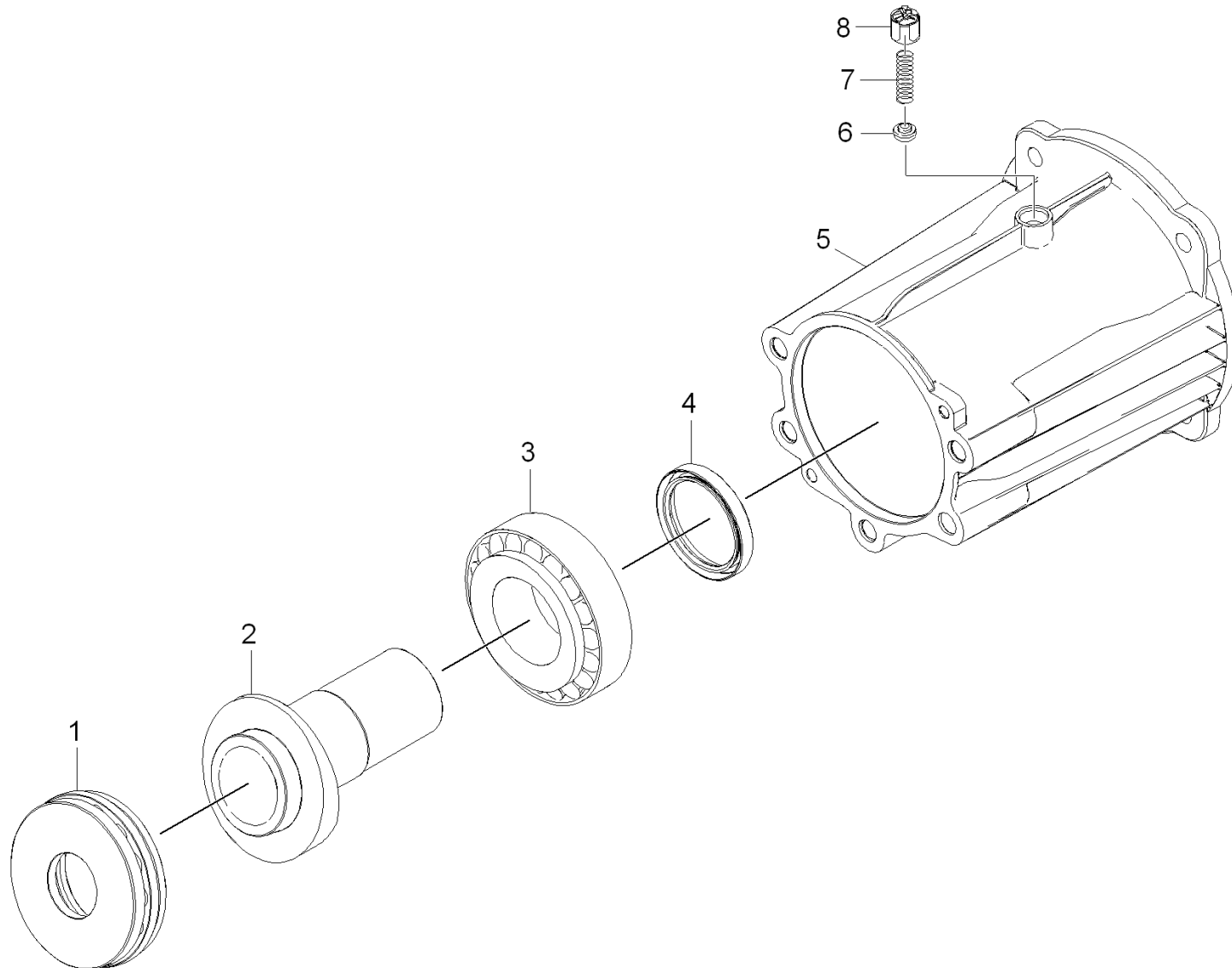
### 3.1 Motor



### 3.1 Motor

| POS | DESCRIPTION<br>ADDITIONAL INFORMATIONS | PART NO  | QTY. | FROM SER.NR. | UP TO SER. NR. |
|-----|--|----------|------|--------------|----------------|
| 1   | Cap of a tank complete                 | 64913470 | 1    |              |                |
| 2   | Filter                                 | 91945030 | 1    |              |                |
| 3   | Tank                                   | 91945010 | 1    |              |                |
| 4   | Seal                                   | 64913480 | 1    |              |                |
| 5   | Cover exhaust                          | 91945090 | 1    |              |                |
| 6   | Screw M4X6                             | 91945180 | 1    |              |                |
| 7   | Cover exhaust                          | 91945070 | 1    |              |                |
| 8   | Wing nut                               | 91945220 | 1    |              |                |
| 9   | Cover blower                           | 91944990 | 1    |              |                |
| 10  | Air filter insert                      | 64913450 | 1    |              |                |
| 11  | Starter rope complete                  | 64913500 | 1    |              |                |
| 13  | Ignition plug                          | 66180900 | 1    |              |                |
| 14  | Spark plug connector                   | 91945140 | 1    |              |                |
| 18  | Joint ring                             | 91944960 | 2    |              |                |
| 19  | DRAIN SCREW                            | 91944950 | 1    |              |                |
| 20  | Washer                                 | 91945260 | 1    |              |                |
| 21  | Bolt                                   | 91945200 | 1    |              |                |
| 22  | Parallel key 6,3X36                    | 64911760 | 1    |              |                |
| 23  | Oil level gauge                        | 91944920 | 1    |              |                |
| 24  | Engine oil 1L                          | 62880500 | 1    |              |                |
| 26  | Screw M4x6                             | 91945160 | 1    |              |                |
| 27  | Exhaust complete                       | 91945050 | 1    |              |                |
| 28  | Nut                                    | 91945240 | 1    |              |                |

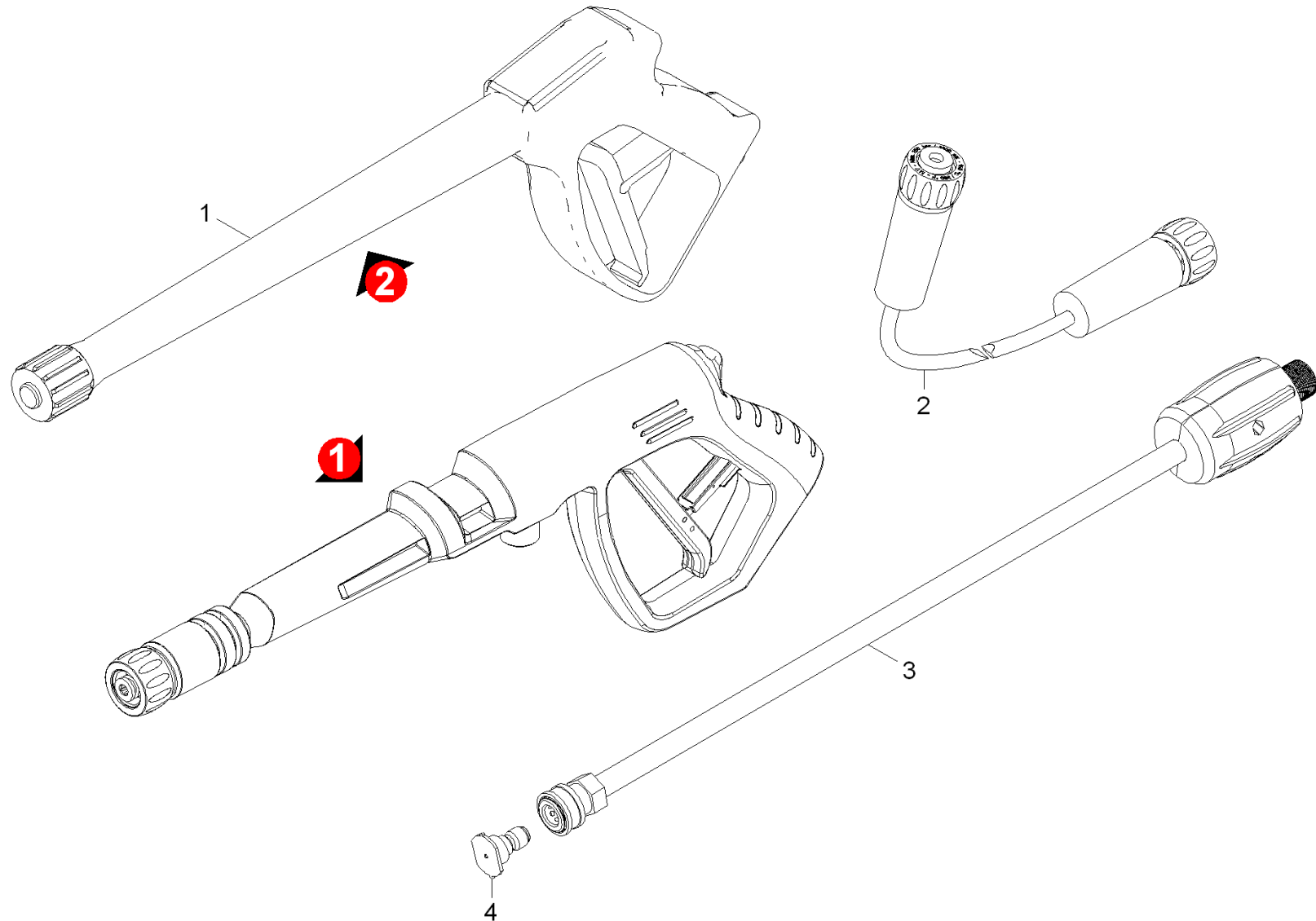
## 3.2 Transmission



## 3.2 Transmission

| POS | DESCRIPTION<br>ADDITIONAL INFORMATIONS  | PART NO  | QTY. | FROM SER.NR. | UP TO SER. NR. |
|-----|---|----------|------|--------------|----------------|
| 1   | Deep groove ball thrust bearing         | 64013910 | 1    |              |                |
| 2   | Swash Plate-Machined                    | 91652560 | 1    |              |                |
| 3   | Taper roller bearing 41                 | 64012250 | 1    |              |                |
| 4   | Radial shaft seal ring A40x52x7-NBR DIN | 73670110 | 1    |              |                |
| 5   | Oil Housing-Machined                    | 91350140 | 1    |              |                |
| 6   | Valve disc                              | 55820800 | 1    |              |                |
| 7   | Helical spring                          | 53322090 | 1    |              |                |
| 8   | Moulded part                            | 50305330 | 1    |              |                |

## 4.0 Accessories



## 4.0 Accessories

| POS | DESCRIPTION                             | PART NO  | QTY. | FROM SER.NR. | UP TO SER. NR. |
|-----|---|----------|------|--------------|----------------|
|     | <a href="#">ADDITIONAL INFORMATIONS</a> |          |      |              |                |
| 1   | AL5 GUN 4000 PSI                        | 91120170 | 1    |              |                |
| 2   | Set high pressure hose extension *KNA   | 26408500 | 1    |              |                |
| 3   | REMOTE PRESSURE CONTROL                 | 91125350 | 1    |              |                |
| 4   | Q/C NOZZLE KIT (040)                    | 91040300 | 1    |              |                |