



Spare parts list

(18104010) G 4000 RH

2008 02

91393520

www.kaercher.com

EN

CONTENT LIST

1.0 Frame

2.0 Pump set

2.1 Cylinder head

VERSION 1

2.2 Cylinder head

VERSION 2

2.3 Piston

VERSION 1

2.4 Piston

VERSION 2

2.5 Chemistry

3.0 Motor

3.1 Motor

3.2 Transmission

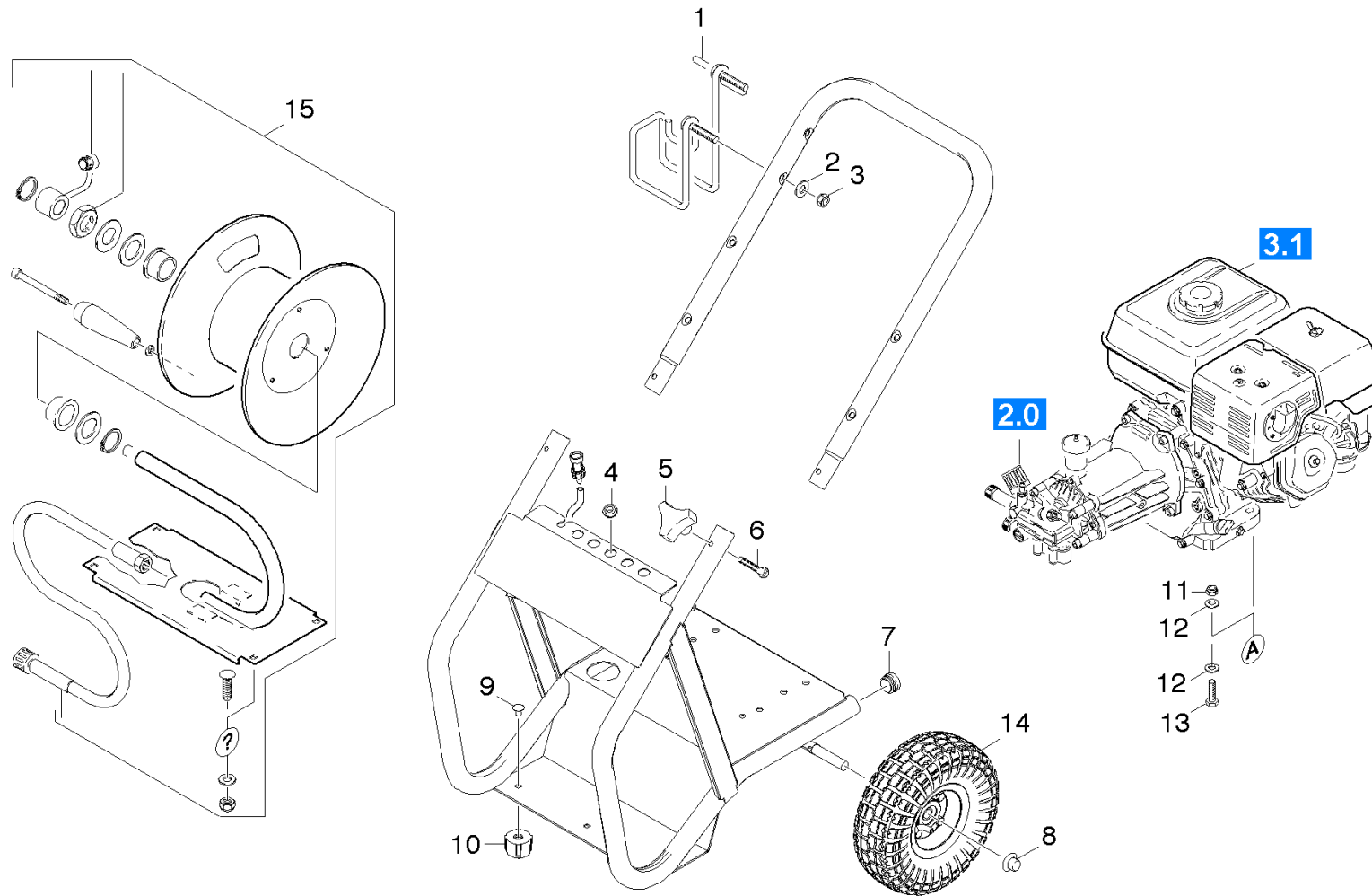
VERSION 1

3.3 Transmission

VERSION 2

4.0 Accessories

1.0 Frame



1.0 Frame

| POS | DESCRIPTION ADDITIONAL INFORMATIONS | PART NO | QTY. | FROM SER.NR. | UP TO SER. NR. |
|-----|--|----------|------|--------------|----------------|
| 1 | HANGER WELD ASSY 45DEG RIGHT (SOLO) | 91420090 | 1 | | |
| 2 | 5/16 INTERNAL L/W .332 ID X .620 OD ZINC | 91980030 | 2 | | |
| 3 | 5/16"-18 FINISHED HEX NUT ZINC | 53101050 | 2 | | |
| 4 | Sleeve rubber | 91772040 | 5 | | |
| 5 | KNOB 1/4"-20,3PT. STAR | 91823530 | 2 | | |
| 6 | 1/4-20 x 1-1/2 GR 2 HEX BOLT ZINC | 91963070 | 2 | | |
| 7 | BLACK,PLUG PLASTIC | 91830010 | 2 | | |
| 8 | CAP BLACK PLASTIC,5/8"FASTENER | 91825060 | 2 | | |
| 9 | 5/16-18 X 1/2 CARRIAGE BOLT A307 BLK | 91963080 | 2 | | |
| 10 | RUBBER DAMPENER 5/16"-18FEMALE 2001 | 91834050 | 2 | | |
| 11 | Stockpiling discontinued | 77779990 | 4 | | |
| 12 | Stockpiling discontinued | 77779990 | 8 | | |
| 13 | Stockpiling discontinued | 77779990 | 4 | | |
| 14 | WHEEL 10" X 3.50" PNEU | 91890070 | 2 | | |
| 15 | HOSE REEL W/HOSE | 91240050 | 1 | | |

2.0 Pump set

2.1 Cylinder head

VERSION 1

2.2 Cylinder head

VERSION 2

2.3 Piston

VERSION 1

2.4 Piston

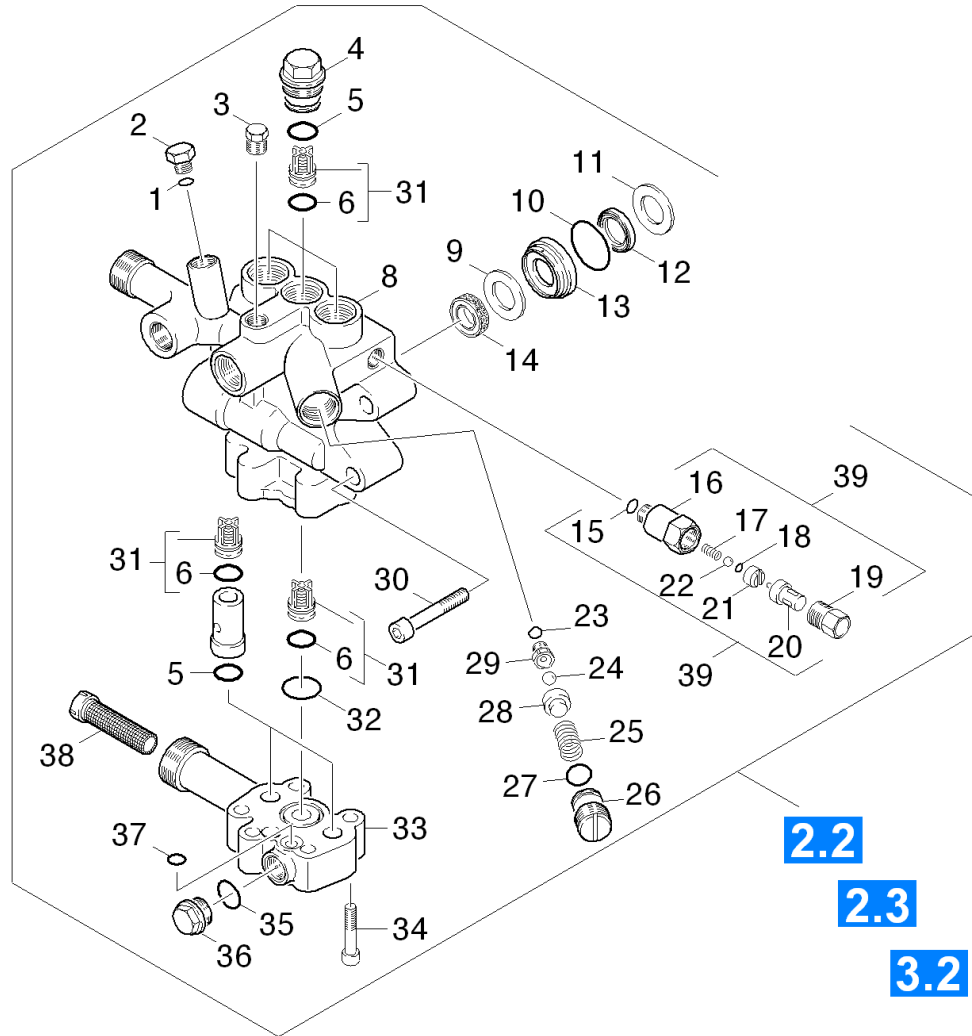
VERSION 2

2.5 Chemistry



2.1 Cylinder head

VERSION 1



2.1 Cylinder head

VERSION 1

| POS | DESCRIPTION ADDITIONAL INFORMATIONS | PART NO | QTY. | FROM SER.NR. | UP TO SER. NR. |
|-----|---|----------|------|--------------|----------------|
| 1 | O-Ring seal 6,0 X 2,0 | 63621130 | 1 | | |
| 2 | Screw plug | 54110700 | 1 | | |
| 3 | Screw plug R1/8"-CuZn DIN 909 | 73822740 | 1 | | |
| 4 | Valve screw | 55831460 | 4 | | |
| 5 | O-Ring seal 14,0x2,0-NBR 80 | 63624810 | 6 | | |
| 6 | O-Ring seal 13,0 X 2,0-NBR 90 | 63630030 | 6 | | |
| 8 | CYLINDER HEAD | 55502730 | 1 | | |
| 9 | Washer | 51154920 | 3 | | |
| 10 | O-Ring seal 27,5 X 1,5-NBR 70 | 63623980 | 3 | | |
| 11 | Washer | 51154930 | 3 | | |
| 12 | Compact seal 16 x 24 x 4 | 63653510 | 3 | | |
| 13 | Bush | 51124020 | 3 | | |
| 14 | LIP SEAL 16X24X5.3 | 63654080 | 3 | | |
| 15 | O-Ring seal 8 X 2 | 63621010 | 1 | | |
| 16 | Screw union | 54026370 | 1 | | |
| 17 | Helical spring | 53322330 | 1 | | |
| 18 | O-Ring seal 4,47x1,78 | 63628530 | 1 | | |
| 19 | CLOSING SCREW | 54111500 | 1 | | |
| 20 | VALVE | 64130670 | 1 | | |
| 21 | Washer | 51158760 | 1 | | |
| 22 | Sphere 4,762 KL3-1.4301 DIN 5401 | 74010090 | 1 | | |
| 23 | O-Ring seal 6,0x1,5-NBR 70 | 63627030 | 1 | | |
| 24 | Sphere 7 G300 -1.4301 DIN 5401 | 74019080 | 2 | | |
| 25 | Helical spring | 53322030 | 1 | | |
| 26 | Valve screw | 55830890 | 1 | | |
| 27 | O-Ring seal 12,0 X 2,0 | 63621690 | 1 | | |
| 28 | Valve disc | 55820750 | 1 | | |
| 29 | VALVE SEAT | 55812180 | 1 | | |
| 30 | Cylinder head screw M10x70-8.8-A3E ISO4 | 73061250 | 4 | | |
| 31 | Valve (3 Stueck) | 28845120 | 1 | | |
| 32 | O-Ring seal 20,0x1,5-NBR 70 | 63625470 | 1 | | |
| 33 | Valve housing | 50608090 | 1 | | |

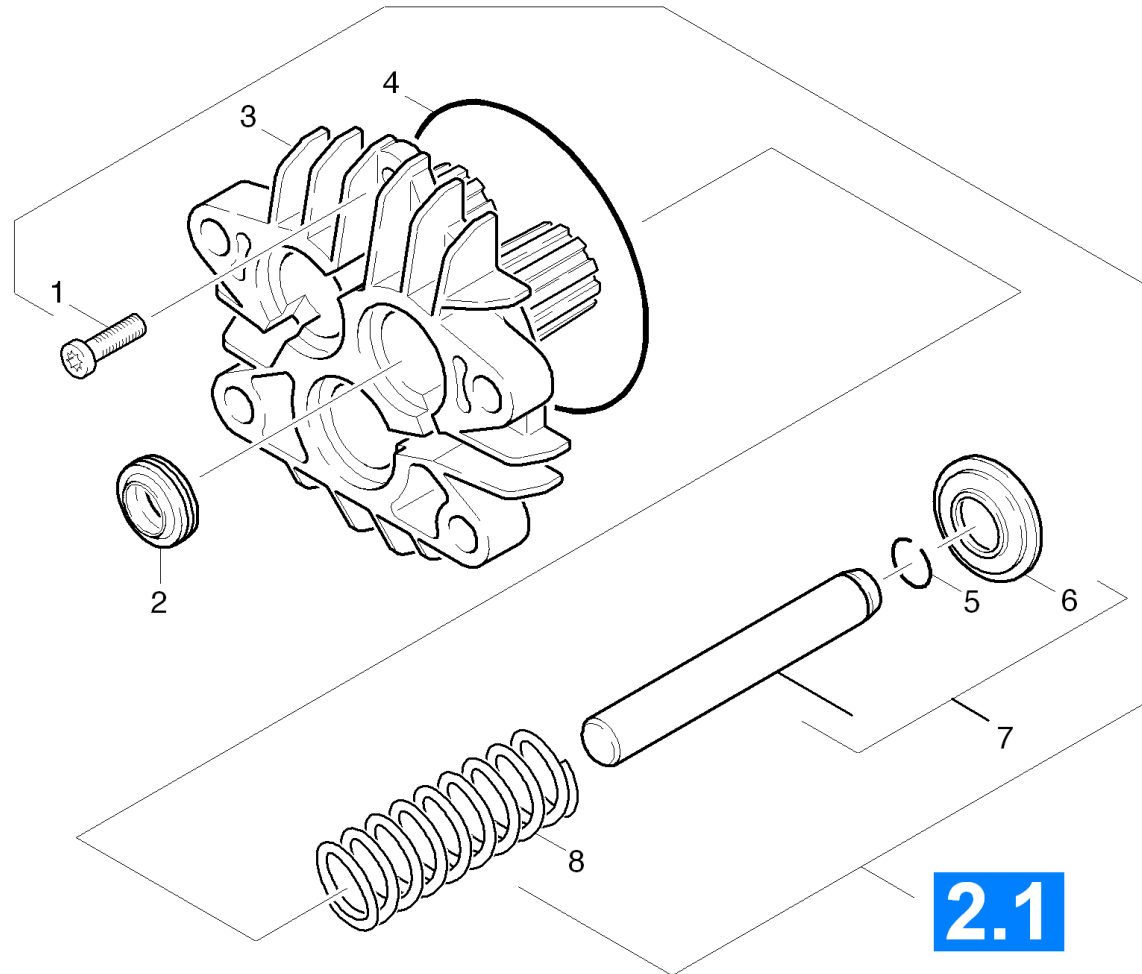
2.1 Cylinder head

VERSION 1

| POS | DESCRIPTION ADDITIONAL INFORMATIONS | PART NO | QTY. | FROM SER.NR. | UP TO SER. NR. |
|-----|---|----------|------|--------------|----------------|
| 34 | Cylinder head screw M8x35 -8.8-A2E ISO4 | 73060440 | 5 | | |
| 35 | O-Ring seal 15,0x2,0 | 63624270 | 1 | | |
| 36 | Screw plug M18x1,5-A-CuZn DIN 7604 | 73822350 | 1 | | |
| 37 | O-Ring seal 9,0 x 1,5 | 63623840 | 3 | | |
| 38 | Strainer | 64142820 | 1 | | |
| 39 | Therموالve | 45803550 | 1 | | |
| 100 | SPARE PARTS KIT fuer Pumpensatz | 28842170 | 1 | | |

2.3 Piston

VERSION 1

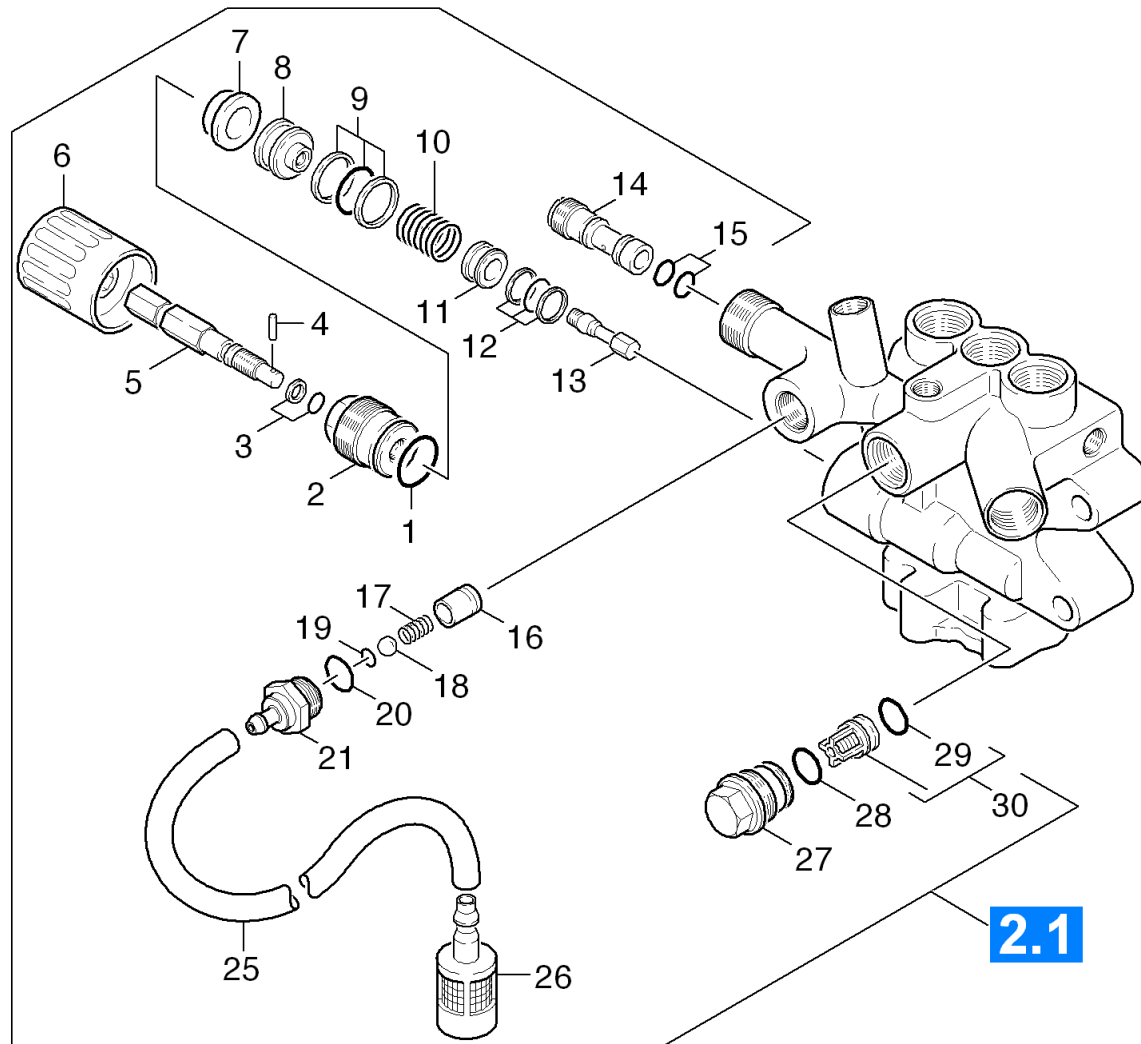


2.3 Piston

VERSION 1

| POS | DESCRIPTION ADDITIONAL INFORMATIONS | PART NO | QTY. | FROM SER.NR. | UP TO SER. NR. |
|-----|--|----------|------|--------------|----------------|
| 1 | Screw M6x25 -8.8-R3R (In6Rd) | 73060940 | 2 | | |
| 2 | Grooved ring 16X24X7 | 63653220 | 3 | | |
| 3 | Housing | 50606760 | 1 | | |
| 4 | GASKET | 63629630 | 1 | | |
| 5 | Snap ring A16 -FST DIN 7993 | 73434780 | 3 | | |
| 6 | WASHER | 51156890 | 3 | | |
| 7 | PISTON COMPLETE-G 4000 SH | 91723140 | 3 | | |
| 8 | HELICAL SPRING | 53324030 | 3 | | |

2.5 Chemistry



2.5 Chemistry

updated 25 Feb 2009

| POS | DESCRIPTION ADDITIONAL INFORMATIONS | PART NO | QTY. | FROM SER. NR. | UP TO SER. NR. |
|-----|--|----------|------|---------------|----------------|
| 1 | O-Ring | 63629890 | 1 | | |
| 2 | Valve Screw | 55831470 | 1 | | |
| 3 | O-Ring seal complete 1ST.-R. | 63624680 | 1 | | |
| 4 | Grooved pin 2x10-A1 ISO 8742 | 73146290 | 1 | | |
| 5 | Spindle | 42910140 | 1 | | |
| 6 | Handhold | 53213070 | 1 | | |
| 7 | Sleeve | 51106300 | 1 | | |
| 8 | Piston excess-current | 55533630 | 1 | | |
| 9 | Gasket | 63629770 | 1 | | |
| 10 | Spring | 53324250 | 1 | | |
| 11 | Valve Seat | 55812140 | 1 | | |
| 12 | O-Ring seal complete 2ST.-R. | 63624500 | 1 | | |
| 13 | Shaped screw | 53052630 | 1 | | |
| 14 | Nozzle insert | 91520030 | 1 | | |
| 15 | O-Ring seal 9.0 x 1.5 | 63623840 | 2 | | |
| 16 | Tube | 50286920 | 1 | | |
| 17 | Helical spring | 53321240 | 1 | | |
| 18 | Sphere 7 G300-1.4301 DIN 5401 | 74019080 | 1 | | |
| 19 | O-Ring seal 6.0 x 2.0 | 63623830 | 1 | | |
| 20 | O-Ring seal 14.0 x 1.5-NBR 70 | 63625330 | 1 | | |
| 21 | Chemical Nipple | 91540390 | 1 | | |
| 25 | Hose DN 5 | 91621010 | 1 | | |
| | TO ORDER AS CUT GOODS | | | | |
| 26 | Filter with weight | 57316090 | 1 | | |
| 27 | Valve Screw | 55831460 | 1 | | |
| 28 | O-Ring seal 14.0x2.0-NBR 80 | 63624810 | 1 | | |
| 29 | O-Ring seal 13.0x2.0 | 63623810 | 1 | | |
| 30 | Valve complete | 45803230 | 1 | | |

3.0 Motor

3.1 Motor

3.2 Transmission

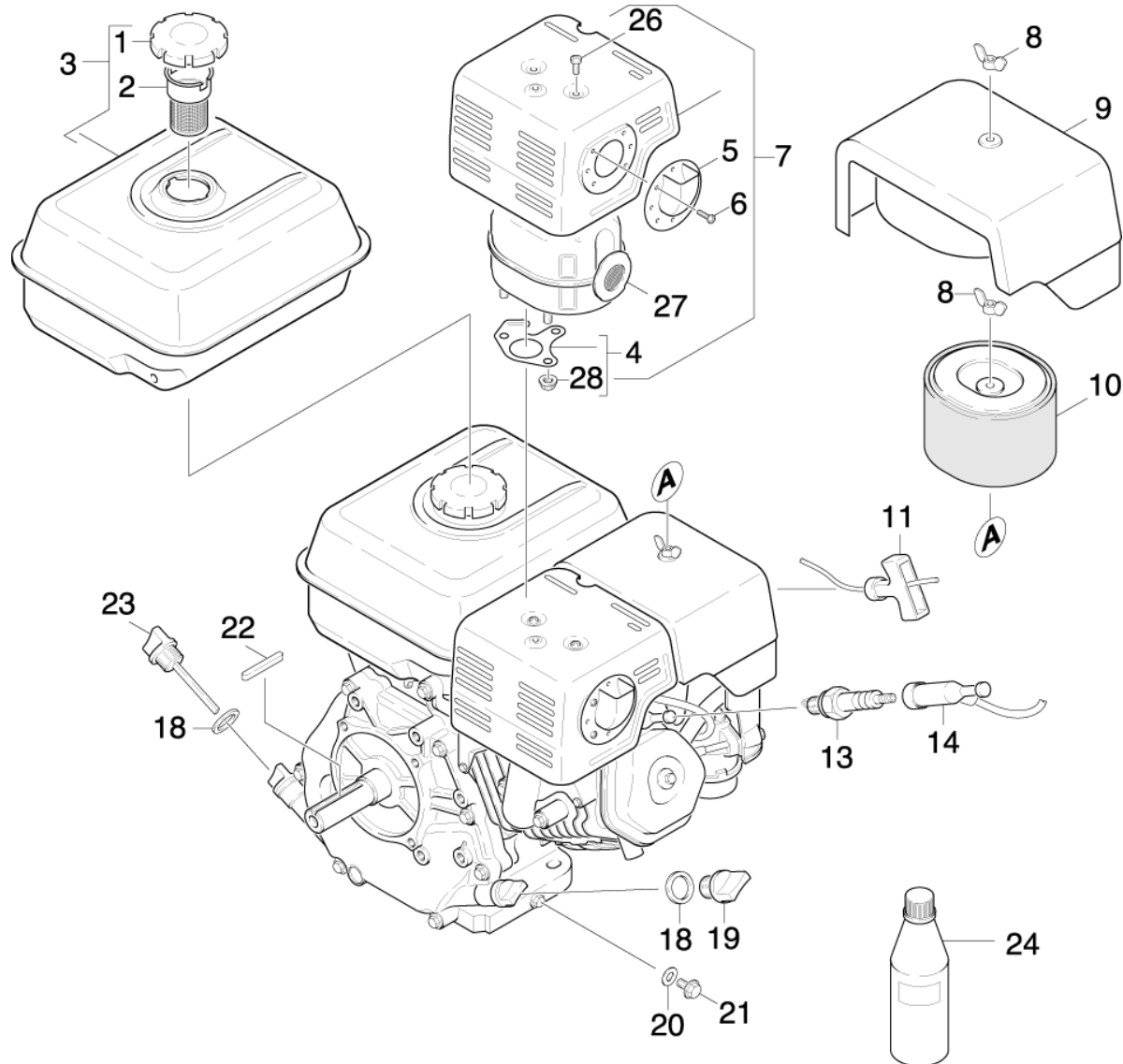
VERSION 1

3.3 Transmission

VERSION 2



3.1 Motor

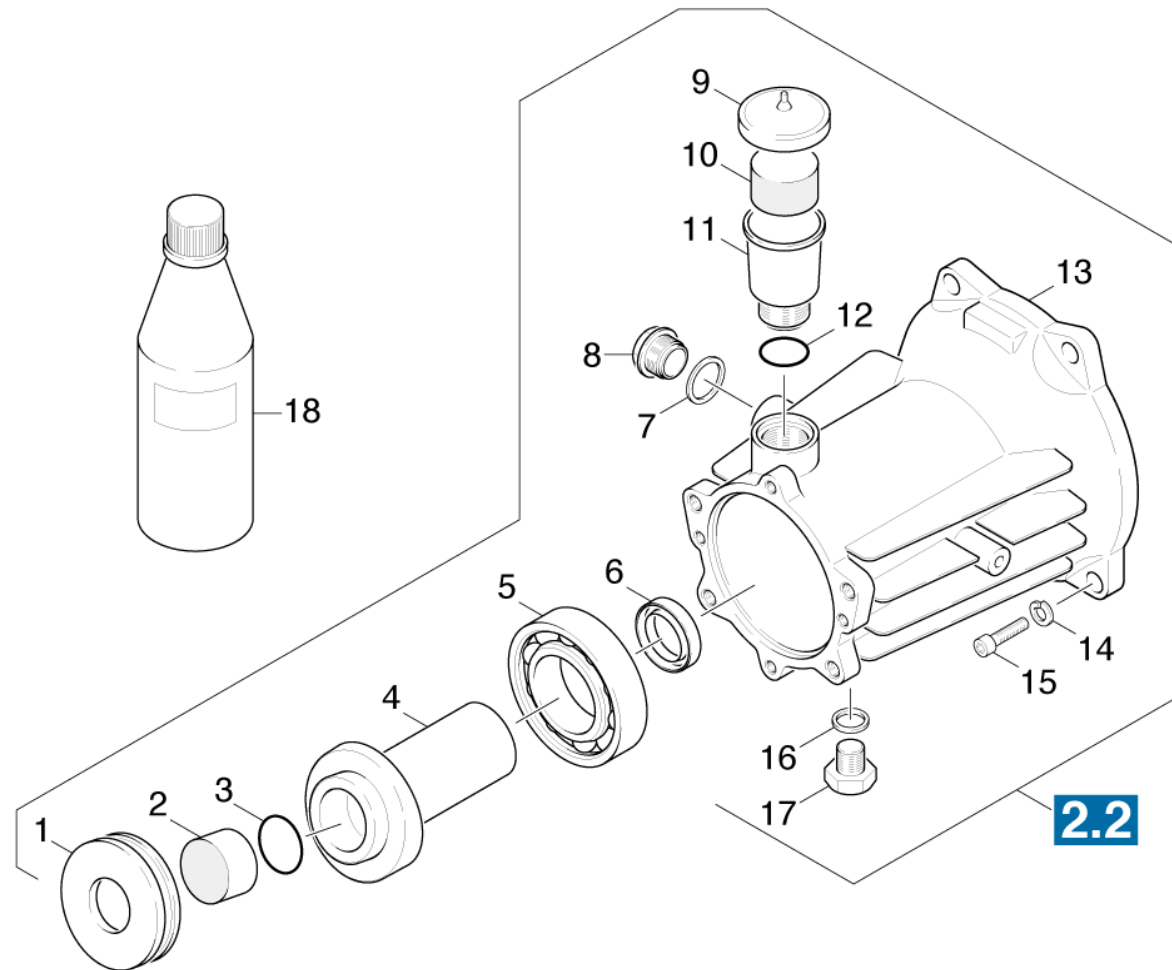


3.1 Motor

| POS | DESCRIPTION ADDITIONAL INFORMATIONS | PART NO | QTY. | FROM SER.NR. | UP TO SER. NR. |
|-----|--|----------|------|--------------|----------------|
| 1 | CAP OF A TANK | 64913470 | 1 | | |
| 2 | Filter | 91945030 | 1 | | |
| 3 | Tank | 91945010 | 1 | | |
| 4 | SEAL | 64913480 | 1 | | |
| 5 | Cover exhaust | 91945090 | 1 | | |
| 6 | SCREW M4X6 | 91945180 | 1 | | |
| 7 | Cover exhaust | 91945070 | 1 | | |
| 8 | Wing nut | 91945220 | 1 | | |
| 9 | BLOWER COVER | 91944990 | 1 | | |
| 10 | AIR FILTER | 64913450 | 1 | | |
| 11 | Starter rope complete | 64913500 | 1 | | |
| 13 | SPARK PLUG | 66180900 | 1 | | |
| 14 | STARK PLUG CONNECTOR | 91945140 | 1 | | |
| 18 | OELDICHTRING | 91944960 | 2 | | |
| 19 | DRAIN SCREW | 91944950 | 1 | | |
| 20 | WASHER | 91945260 | 1 | | |
| 21 | BOLT | 91945200 | 1 | | |
| 22 | SPRING | 64911760 | 1 | | |
| 23 | OIL DIP ROD | 91944920 | 1 | | |
| 24 | Engine oil 1L | 62880500 | 1 | | |
| 26 | Screw M4x6 | 91945160 | 1 | | |
| 27 | Exhaust complete | 91945050 | 1 | | |
| 28 | Nut | 91945240 | 1 | | |

3.2 Transmission

VERSION 1

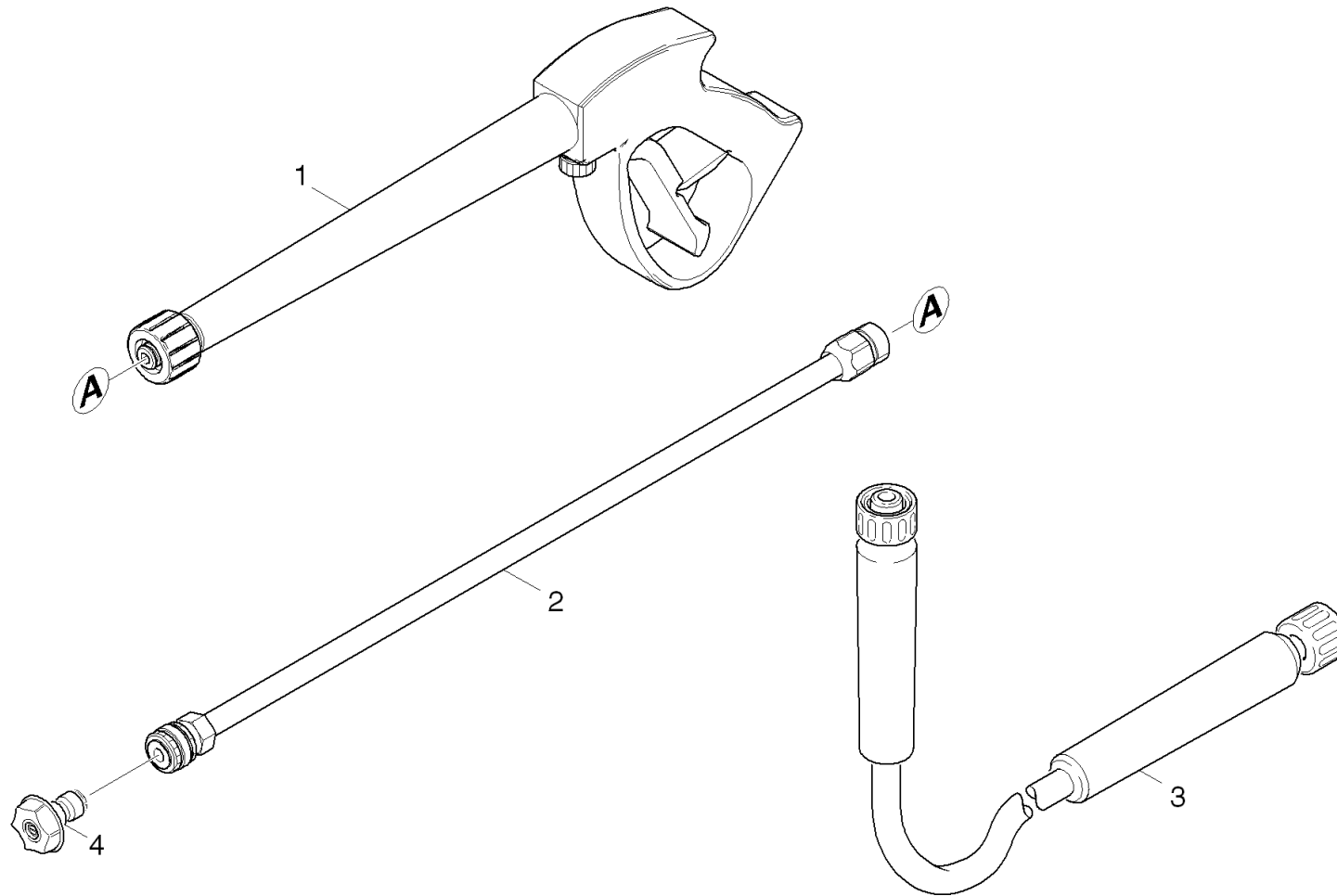


3.2 Transmission

VERSION 1

| POS | DESCRIPTION ADDITIONAL INFORMATIONS | PART NO | QTY. | FROM SER.NR. | UP TO SER. NR. |
|-----|---|----------|------|--------------|----------------|
| 1 | Axial roller bearing | 64013340 | 1 | | |
| 2 | PLUG | 51321440 | 1 | | |
| 3 | O-Ring seal 28,0 X 2,0 NBR 70 | 63628100 | 1 | | |
| 4 | Swash plate | 91652550 | 1 | | |
| 5 | Taper roller bearing 41 | 64012250 | 1 | | |
| 6 | Radial shaft seal ring A40x52x7-NBR DIN | 73670110 | 1 | | |
| 7 | Seal | 63625850 | 1 | | |
| 8 | Screw plug | 54110620 | 1 | | |
| 9 | Cover | 50636510 | 1 | | |
| 10 | Plug | 51321070 | 1 | | |
| 11 | Tank | 50701940 | 1 | | |
| 12 | O-Ring seal 22,3 X 2,4-NBR 70 | 63621680 | 1 | | |
| 13 | Housing | 50608270 | 1 | | |
| 14 | Washer | 63120660 | 4 | | |
| 15 | Stockpiling discontinued | 77779990 | 4 | | |
| 16 | Joint ring 14x18-CU DIN 7603 | 73620050 | 1 | | |
| 17 | Screw plug M14x1,5-A-CuZn DIN 7604 | 73822330 | 1 | | |
| 18 | Engine oil 1L | 62880500 | 1 | | |

4.0 Accessories



4.0 Accessories

| POS | DESCRIPTION ADDITIONAL INFORMATIONS | PART NO | QTY. | FROM SER.NR. | UP TO SER. NR. |
|-----|--|----------|------|--------------|----------------|
| 1 | AL5 GUN 4000 PSI | 91120170 | 1 | | |
| 2 | LANCE-AL QUICK CONNECT -MALE 4000 PSI | 91125270 | 1 | | |
| 3 | HP HOSE DN8/50'/4000/NOLOGO/BLK/RBR | 91623230 | 1 | | |
| 4 | Q/C NOZZLE KIT (040) | 91040300 | 1 | | |