

**Ersatzteilliste**  
**Spare Parts List**  
**Liste des pièces de rechange**

# **HDS 760**

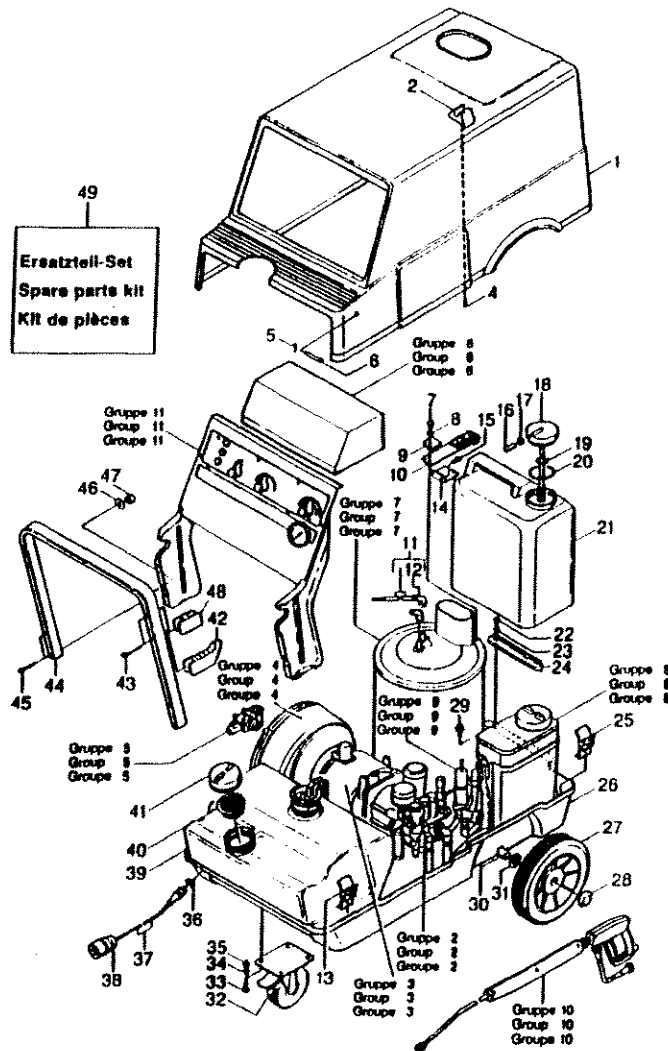
**1.619-111 380V 3Ph.50Hz**  
**1.619-291 CH**

**Gruppe 1: Einzelteile**  
**Group 1: Component Parts**  
**Groupe 1: Pièces détachées**

Gruppe 1: Einzelteile  
 Group 1: Component Parts  
 Groupe 1: Pièces détachées

# B 1

# HDS 760



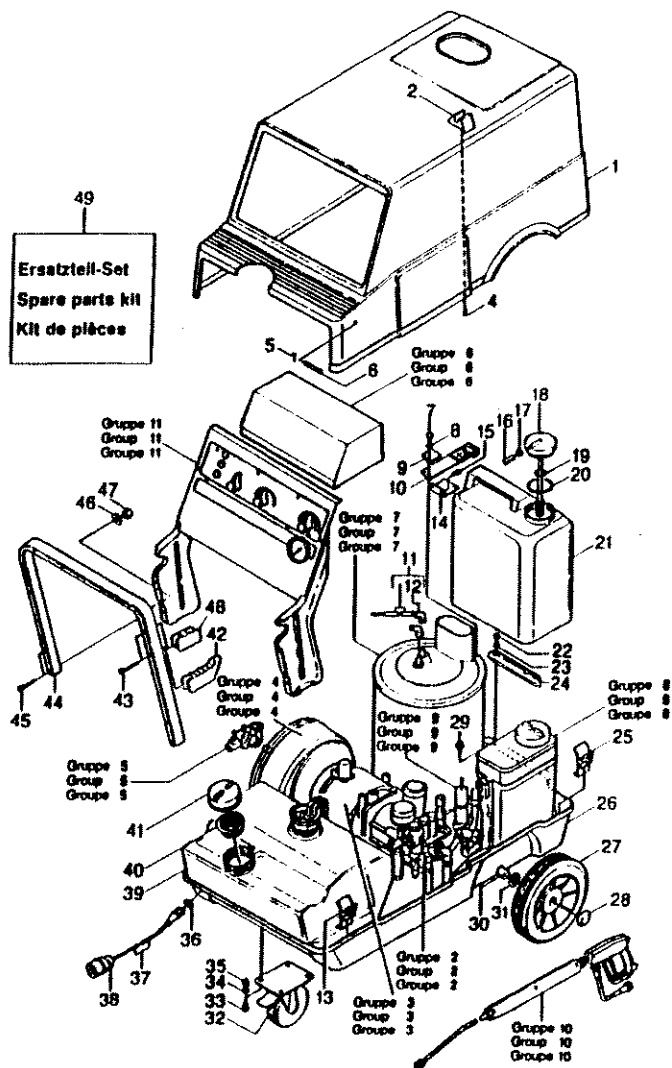
Pos.	Benennung Item Description Pos. Designation	Teil-Nr. Part-No. No. piece	Stück Qty. Nbr.
1	Haube/ Cover / Couvercle	5.066-233.0	1
2	Halter/ Support/ Appui	5.042-252.0	1
4	Schraube 4,2x13/ Screw/ Vis	6.303-047.0	1
5	Sicherung/ Safety Device/ Fusible de Securite	6.343-006.0	2
6	Bolzen/ Pin/ Axe	6.373-322.0	2
7	6kt-Schraube M5x12/ Hex. Head Cap Screw/ Boulon A Six Pans	7.304-371.0	1
8	Federring B 5/ Spring Washer/ Rondelle Grower	7.313-002.0	1
9	Winkel/ Angle/ Equerre	5.021-953.0	1
10	Halter/ Support/ Appui	5.042-257.0	1
11	Zuendkabel/ Ignition Cable/ Cable D'allumage	4.821-045.0	2
12	Kerzenstecker/ Terminal/ Anti-Parasite	6.618-076.0	2
13	Halter/ Support/ Appui	5.042-320.0	1
14	Platte/ Plate/ Plaque	5.002-402.0	1
15	Schneidschr. M5x12/ Self-Tapping Screw/ Vis Autotaraudeuse	5.303-012.0	2
16	Schlauch Nw 7/ Flexible Tube/ Tuyau Flexible	6.388-225.0	2m
17	Schlauchschelle/ Hose Band Clip/ Collier de Serrage	6.388-559.0	2
18	Formteil/ Preform/ Preforme	5.030-355.0	1
19	O-Ring 45 X 4,5/ O-Ring/ Joint Torique	6.362-490.0	1
20	O-Ring 80 X 4,5/ O-Ring/ Joint Torique	6.362-491.0	1
21	Tank/ Tank/ Reservoir	5.071-025.0	1
22	Linsensch. M5x16/ Oval Head Screw/ Vis A Tete Bombee	7.306-308.0	2
23	Scheibe A 5,3/ Disk/ Disque	7.312-278.0	2
24	Auflager/ Support/ Appui	5.057-024.0	1
25	Halter/ Support/ Appui	5.042-256.0	2

1.619.01.02.00A

Gruppe 1: Einzelteile  
 Group 1: Component Parts  
 Groupe 1: Pièces détachées

# C 1

# HDS 760

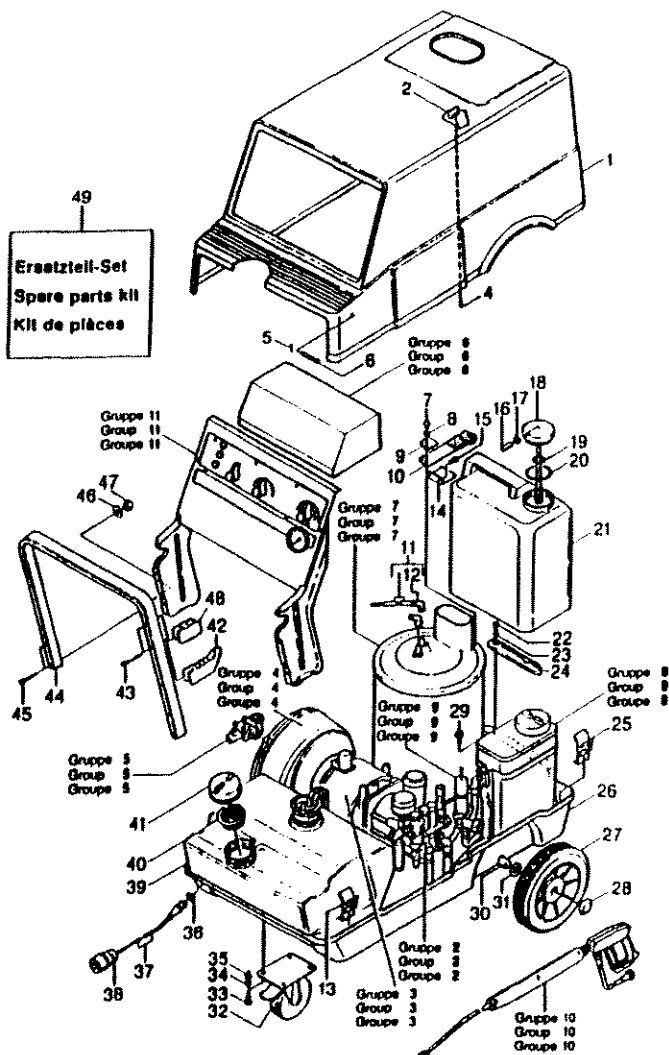


Pos. Item Description Pos. Designation	Teil-Nr. Part-No. No. piece	Stück Qty. Nbr.
26 Rahmen/ Frame/ Cadre	5.050-005.0	1
27 Scheibenrad D 300/ Web Disk Wheel/ Roue Pleine	6.435-074.0	2
28 Schnellbefest. D 25/ Quick-Fastener/ Attache Rapide	6.343-137.0	2
29 Schneidschr. M8x16/ Self-Tapping Screw/ Vis Autotaraudeuse	6.303-031.0	2
30 Achse/ Wheel Shaft/ Essieu	5.105-063.0	1
31 Scheibe 26 / Washer / Rondelle	7.312-060.0	8
32 Lenkrolle 140/ Castor/ Roue Pivotante	6.435-071.0	1
33 6kt-Schraube M8x16/ Hex. Head Cap Screw/ Boulon A Six Pans	7.304-395.0	4
34 Scheibe B 8,4/ Disk/ Disque	7.312-004.0	4
35 6kt-Mutter M 8/ Hexagon Nut/ Ecrou Hex.	7.311-004.0	4
36 Gegenmutter Pg13.5/ Counternut/ Contre-Ecrou	6.641-480.0	1
37 Kabel siehe Seite (Bildtafel F16/G16)/Cable see Page (Board G16/F16) / Cable voir Page (Tableau F16/G16)	6.646-030.0	1
38 Cekon-Stecker 16a/ Cekon Connector/ Prise Cekon	5.071-024.0	1
39 Tank/ Tank/ Reservoir	6.414-275.0	1
40 Sieb D 70/ Strainer/ Passoir	5.063-217.0	1
41 Deckel/ Cover/ Couvercle	5.042-253.0	2
42 Halter/ Support/ Appui	6.305-005.0	3
43 Lsk.bl.schr.5,5x55/ Screw/ Vis	5.321-121.0	1
44 Griff/ Handle/ Poignee		

Gruppe 1: Einzeltelle  
 Group 1: Component Parts  
 Groupe 1: Pièces détachées

# D 1

# HDS 760



Pos. Benennung Item Description Pos. Designation	Telle-Nr. Part-No. No. piece	Stück Qty. Nbr.
45 Zyl.schr. Is M6x50/ Cheese Head Screw/ Vis A Tete Cylindr.	7.306-511.0	4
46 Scheibe A6,4/ Disk/ Disque	7.312-276.0	4
47 6kt-Mutter M6/ Hexagon Nut/ Ecrou Hex.	7.311-425.0	4
48 Halter/ Support/ Appui	5.042-254.0	1
49 Et-Set siehe Seite 8 (Bildtafel J16 )/ Spare Parts Kit see Page 8 (Board J16 ) /Kit de pieces voir Page 8 (Tableau J16 )	2.880-278.0	1



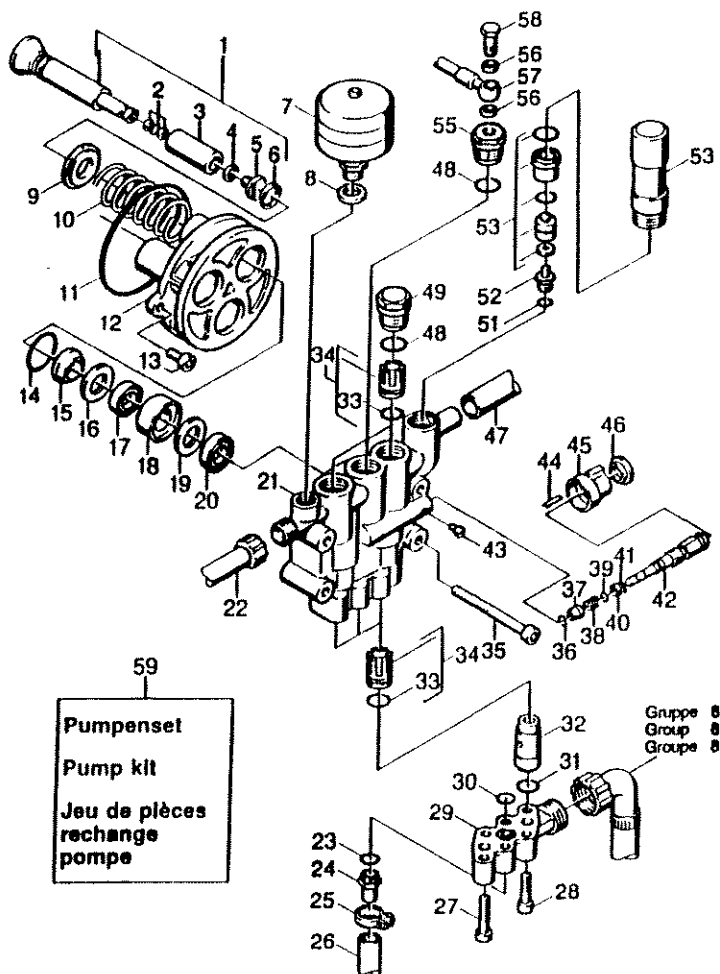
**Gruppe 2: Pumpensatz**  
**Group 2: Pump Unit**  
**Groupe 2: Moto-pompe**

Gruppe 2: Pumpensatz  
 Group 2: Pump Unit  
 Groupe 2: Moto-pompe

# B 2

# HDS 760

bis Werk-Nr.41406 / up to serial No. / jusqu'au du numero de fabrication N.



Pos. Benennung Item Description Pos. Designation	Teile-Nr. Part-No. No.piece	Stück Qty. Nbr.
1 Kolben Kompl./ Piston, Complete/ Piston Complete	4.553-075.0	3
2 O-Ring Komplet/ O-Ring Compl./ Joint Torique Compl	6.362-365.0	3
3 Keramikhülse/ Ceramic Pod/ Douille Ceramique	5.110-220.0	3
4 Dichtring/ Joint Ring/ Anneau D'etancheite	5.363-162.0	3
5 Formschraube/ Special Screw/ Vis de Forme	5.305-111.0	3
6 Sprengtring 20/ Sealing Ring/ Circlip	6.472-331.0	3
7 Druckspeicher 200/ Pulsation Damper/ Accum. de Press.	6.505-028.0	1
8 Dichtring A 16x20/ Joint Ring/ Anneau D'etancheite	7.362-007.0	1
9 Scheibe/ Disk/ Disque	5.115-289.0	3
10 Schraubenfeder/ Coil Spring/ Ressort A Boudin	5.332-150.0	3
11 O-Ring 100x1,78/ O-Ring / Joint Torique	6.362-448.0	1
12 Gehäuse/ Housing/ Boitier	5.060-182.0	1
13 Zyl-Schr.ls. M 8x20/ Cheese Head Screw/ Vis A Tete Cylindr.	7.306-041.0	3
14 O-Ring 34,65x1,78/ O-Ring/ Joint Torique	6.362-484.0	3
15 Nutring 20x28x6/8/ Grooved Ring/ Joint En U A Levres	6.365-052.0	3
16 Scheibe/ Disk/ Disque	5.115-255.0	3
17 Nutring 20x30x8/4/ Grooved Ring/ Joint En U A Levres	6.365-053.0	3
18 Buchse/ Bush/ Boite	5.112-181.0	3
19 Scheibe/ Disk/ Disque	5.115-224.0	3
20 Nutring/ Grooved Ring/ Joint En U A Levres	6.365-061.0	3
21 Zylinderkopf/ Cylinder Head/ Culasse de Cyl.	4.550-084.0	1
22 Hd-Schlauch 8/590/ Hp Hose/ Flexible Hp	6.388-859.0	1

Gruppe 2: Pumpensatz  
 Group 2: Pump Unit  
 Groupe 2: Moto-pompe

# C 2

# HDS 760

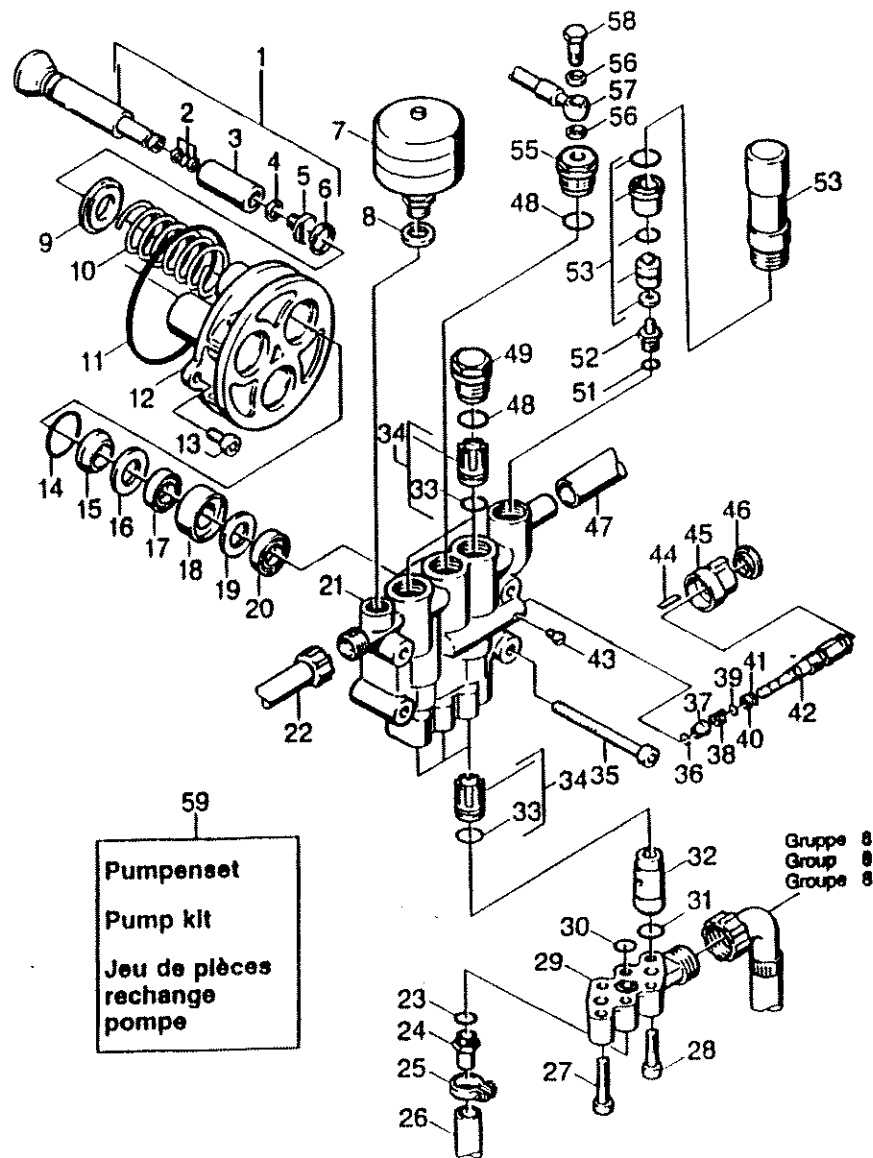
bis Werk-Nr. 41406 / up to serial No. / jusqu'au du numero de fabrication N.

Pos. Benennung  
 Item Description  
 Pos. Designation

Teile-Nr.  
 Part-No.  
 No. piece

Stück  
 Qty.  
 Mbr.

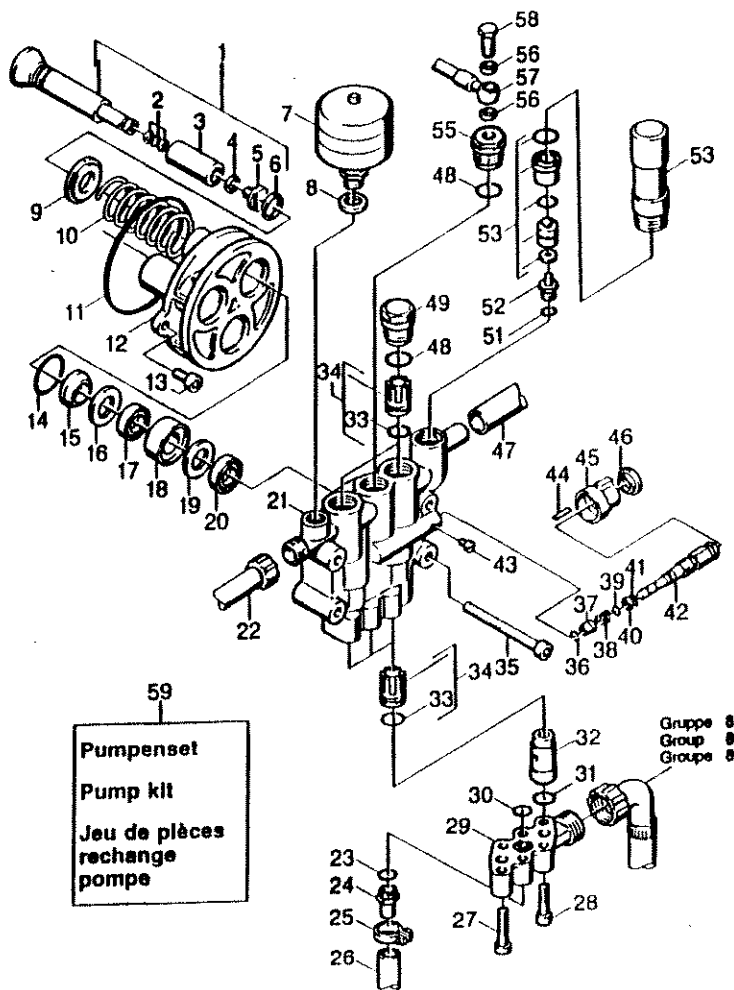
23	O-Ring 15x2/ O-Ring/ Joint Torique	6.362-427.0	1
24	Ventil/ Valve/ Soupape	4.580-114.0	1
25	Schlauchschelel2/9/ Hose Band Clip/ Collier de Serrage	6.388-515.0	1
26	Schlauch Nw7/ Flexible Tube/ Tuyau Flexible	6.388-194.0	1m
27	Zyl-Schr. Is. M6x30/ Cheese Head Screw/ Vis A Tete Cylindr.	7.306-024.0	4
28	Zyl-Schr. Is. M 8x30/ Cheese-Head Screw/ Vis A Tete Cylindr.	7.306-043.0	2
29	Ventilgehaeuse/ Valve Box/ Bolte A Soupape	5.587-107.0	1
30	O-Ring 12,42x1,78/ O-Ring/ Joint Torique	6.362-480.0	1
31	O-Ring 15,3x2,4/ O-Ring/ Joint Torique	6.362-153.0	2
32	Huelse/ Pod/ Douille	5.110-210.0	2
33	O-Ring 14x2/ O-Ring / Joint Torique	6.362-481.0	6
34	Ventil Komplet/ Valve Complete/ Soupape Complet	4.580-117.0	6
35	Zyl.schr. M 10x100/ Cheese Head Screw/ Vis A Tete Cylindr.	7.306-066.0	4
36	Sprengring A 6/ Sealing Ring/ Circlip	6.343-143.0	1
37	Huelse/ Pod/ Douille	5.110-226.0	1
38	Schraubenfeder/ Coil Spring/ Ressort A Boudin	5.332-110.0	1
39	O-Ring Kompl./ O-Ring Compl./ Joint Torique Compli	6.362-477.0	1
40	O-Ring Komplet/ O-Ring Compl./ Joint Torique Compli	6.362-365.0	1
41	O-Ring 8x1,5/ O-Ring / Joint Torique	6.362-388.0	1
42	Spindel/ Spindle/ Pivot	5.291-023.0	1



1.619-02.03.001



bis Werk-Nr.41406 / up to serial No. / jusqu'au du numero de fabrication N.

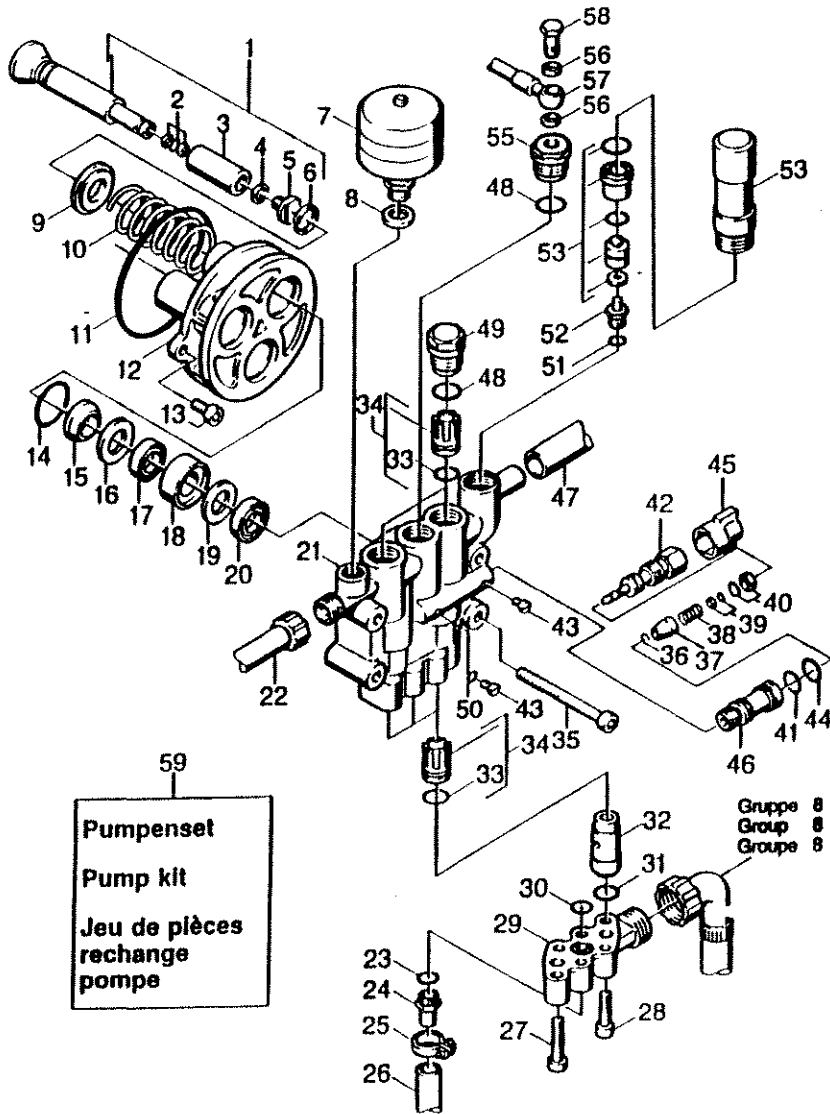


Pos. Item Pos.	Benennung Description Designation	Teile-Nr. Part-No. No.piece	Stück Qty. Nbr.
43	Linsensch. M3x5/ Oval Head Screw/ Vis A Tete Bombee	7.306-317.0	1
44	Sicherungsfeder/ Retaining Spring/ Ressort D'arret	6.313-003.0	1
45	Griff/ Handle/ Poignee	5.321-111.0	1
46	Stopfen/ Plug/ Bouchon	5.132-010.0	1
47	Schlauchstueck/ Flexible Tube Piece/ Piece de Tuyau	5.442-503.0	1
48	O-Ring/ O-Ring/ Joint Torique	6.362-483.0	3
49	Ventilschraube/ Valve Screw/ Vis de Soupape	5.583-060.0	2
51	O-Ring/ O-Ring/ Joint torique	6.362-482.0	1
52	Ventilsitz/ Valve Seat/ Siege de Soupape	5.581-093.0	1
53	Sicherheitsventil/ Safety Valve/ Soupape de Surete	6.412-604.0	1
55	Ventilschraube/ Valve Screw/ Vis de Soupape	5.583-062.0	1
56	Dichtring A10x13,5/ Joint Ring/ Anneau D'etancheite	7.362-003.0	2
57	Hd-Schlauch 5/260/ Hp-Hose/ Tuyau Souple A Hp	6.388-843.0	1
58	Hohlschraube M10x1/ Banjo Bolt/ Boulon Creux	7.386-363.0	1
59	Pumpensatz siehe Seite 11 (Bildtafel H 16 )/ Pump.set see Page 11 (Board H 16 ) / Jeu de pieces de rechange de pompe voir Page 11 (Tableau H 16 )	2.880-283.0	1

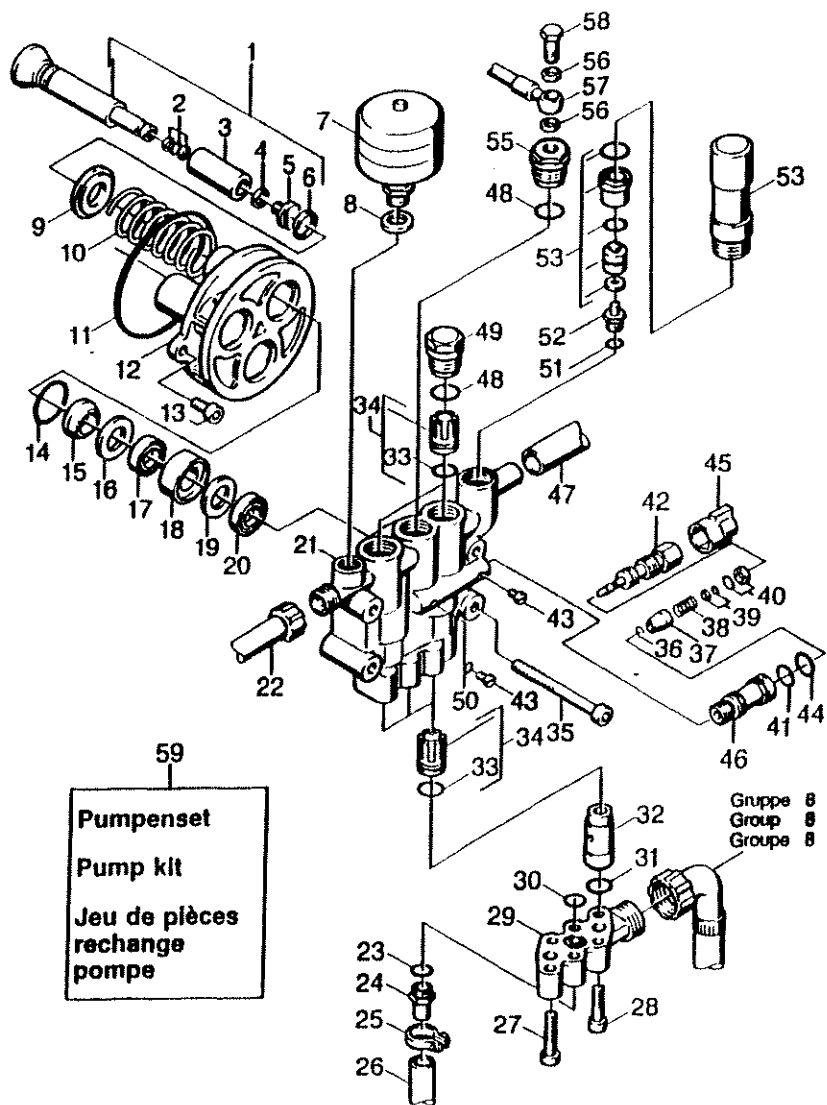


ab Werk-Nr.41407 / from serial No. / a'partir du numero de fabrication N.

Pos. Item Pos.	Benennung Description Designation	Telle-Nr. Part-No. No.piece	Stück Qty. Nbr.
1	Kolben Kompl./ Piston, Complete/ Piston Complete	4.553-075.0	3
2	O-Ring Komplett/ O-Ring Compl./ Joint Torique Compl	6.362-365.0	3
3	Keramikhülse/ Ceramic Pod/ Douille Ceramique	5.110-220.0	3
4	Dichtring/ Joint Ring/ Anneau D'etancheite	5.363-162.0	3
5	Formschraube/ Special Screw/ Vis de Forme	5.305-111.0	3
6	Sprengring 20/ Sealing Ring/ Circlip	6.472-331.0	3
7	Druckspeicher 200/ Pulsation Damper/ Accum. de Press.	6.505-028.0	1
8	Dichtring A 16x20/ Joint Ring/ Anneau D'etancheite	7.362-007.0	1
9	Scheibe/ Disk/ Disque	5.115-289.0	3
10	Schraubenfeder/ Coil Spring/ Ressort A Boudin	5.332-150.0	3
11	O-Ring 100x1,78/ O-Ring / Joint Torique	6.362-448.0	1
12	Gehäuse/ Housing/ Boitier	5.060-182.0	1
13	Zyl-Schr.is. M 8x20/ Cheese Head Screw/ Vis A Tete Cylindr.	7.306-041.0	3
14	O-Ring 34,65x1,78/ O-Ring/ Joint Torique	6.362-484.0	3
15	Nutring 20x28x6/8/ Grooved Ring/ Joint En U A Levres	6.365-052.0	3
16	Scheibe/ Disk/ Disque	5.115-255.0	3
17	Nutring 20x30x8/4/ Grooved Ring/ Joint En U A Levres	6.365-053.0	3
18	Buchse/ Bush/ Boite	5.112-181.0	3
19	Scheibe/ Disk/ Disque	5.115-224.0	3
20	Nutring/ Grooved Ring/ Joint En U A Levres	6.365-061.0	3
21	Zylinderkopf/ Cylinder Head/ Culasse de Cyl.	4.550-112.0	1
22	Hd-Schlauch 8/590/ Hp Hose/ Flexible Hp	6.388-859.0	1



ab Werk-Nr.41407 / from serial No. / a partir du numero de fabrication N.



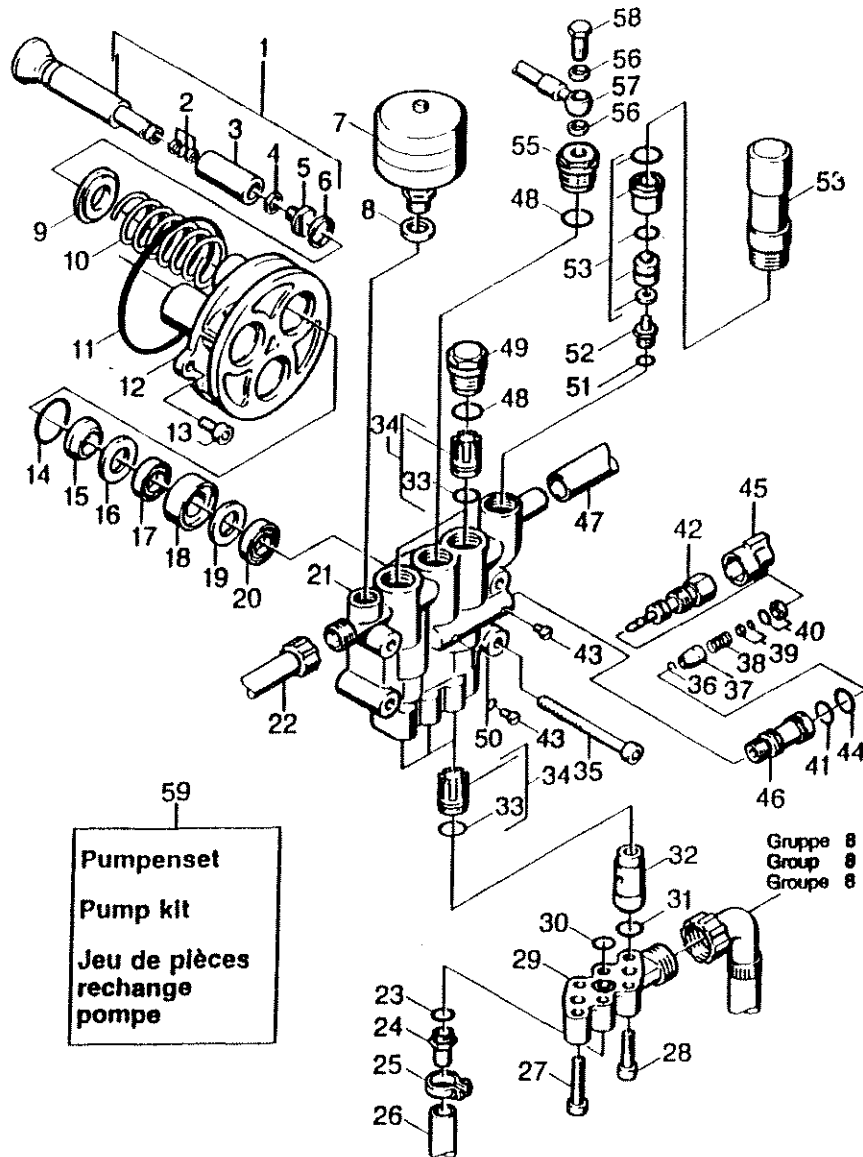
Pos. Benennung Item Description Pos. Designation	Teile-Nr. Part-No. No. piece	Stück Qty. Nbr.
23 O-Ring 15x2/ O-Ring/ Joint Torique	6.362-427.0	1
24 Ventil/ Valve/ Soupape	4.580-114.0	1
25 Schlauchschelle12/9/ Hose Band Clip/ Collier de Serrage	6.388-515.0	1
26 Schlauch Nw7/ Flexible Tube/ Tuyau Flexible	6.388-194.0	1m
27 Zyl-Schr.ls.M6x30/ Cheese Head Screw/ Vis A Tete Cylindr.	7.306-024.0	4
28 Zyl-Schr.ls. M 8x30/ Cheese-Head Screw/ Vis A Tete Cylindr.	7.306-043.0	2
29 Ventilgehäuse/ Valve Box/ Boite A Soupape	5.587-107.0	1
30 O-Ring 12,42x1,78/ O-Ring/ Joint Torique	6.362-480.0	1
31 O-Ring 15,3x2,4/ O-Ring/ Joint Torique	6.362-153.0	2
32 Hülse/ Pod/ Douille	5.110-210.0	2
33 O-Ring 14x2/ O-Ring / Joint Torique	6.362-481.0	6
34 Ventil Komplett/ Valve Complete/ Soupape Complet	4.580-117.0	6
35 Zyl.schr. M 10x100/ Cheese Head Screw/ Vis A Tete Cylindr.	7.306-066.0	4
36 Sprengring A 6/ Sealing Ring/ Circlip	6.343-143.0	1
37 Hülse/ Pod/ Douille	5.110-367.0	1
38 Schraubenfeder/ Coil Spring/ Ressort A Boudin	5.332-110.0	1
39 O-Ring Kompl./ O-Ring Compl./ Joint Torique Compl	6.362-477.0	1
40 O-Ring Komplett/ O-Ring Compl./ Joint Torique Compl	6.362-602.0	1
41 O-Ring 10x1,5/ O-Ring / Joint Torique	6.362-482.0	1
42 Spindel/ Spindle/ Pivot	5.291-040.0	1

Gruppe 2: Pumpensatz  
 Group 2: Pump Unit  
 Groupe 2: Moto-pompe

# G 2

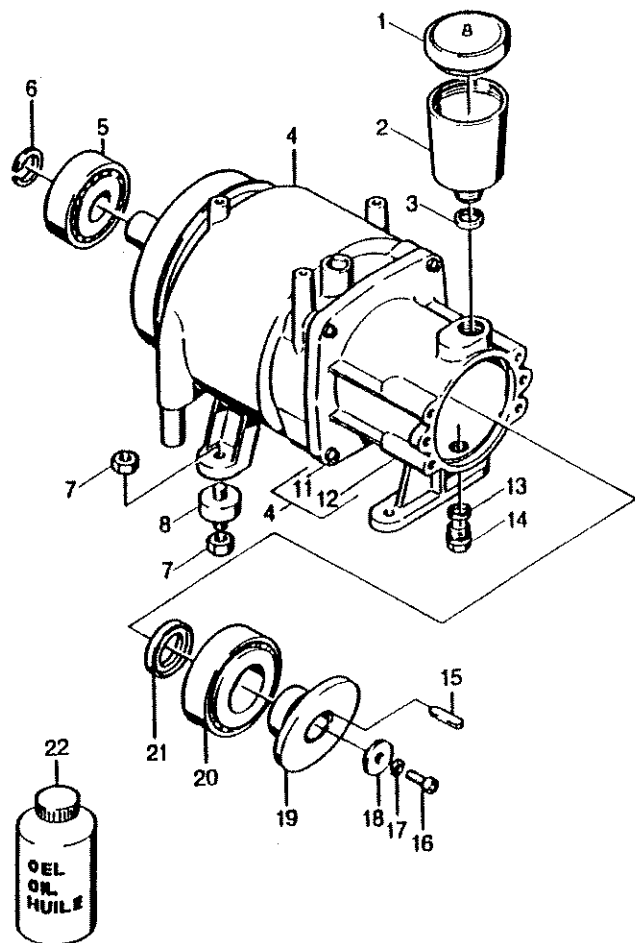
# HDS 760

ab Werk-Nr.41407 / from serial No. / a'partir du numero de fabrication N.



Pos. Item Pos.	Benennung Description Designation	Teile-Nr. Part-No. No.piece	Stück Qty. Mbr.
43	Linsensch. M4x6/ Oval Head Screw/ Vis A Tete Bombee	7.306-323.0	1
44	O-Ring 11x1,3 / O-ring / Joint torique	6.362-402.0	1
45	Griff/ Handle/ Poignee	5.321-263.0	1
46	Hülse / Pod / Douille	5.110-368.0	1
47	Schlauchstueck/ Flexible Tube Piece/ Piece de Tuyau	5.442-503.0	1
48	O-Ring/ O-Ring/ Joint Torique	6.362-483.0	3
49	Ventilschraube/ Valve Screw/ Vis de Soupape	5.583-060.0	2
50	O-Ring 4x1 / O-ring / Joint torique	6.362-452.0	1
51	O-Ring/ O-Ring/ Joint Torique	6.362-482.0	1
52	Ventilsitz/ Valve Seat/ Siege de Soupape	5.581-093.0	1
53	Sicherheitsventil/ Safety Valve/ Soupape de Surete	6.412-604.0	1
55	Ventilschraube/ Valve Screw/ Vis de Soupape	5.583-062.0	1
56	Dichtring A10x13,5/ Joint Ring/ Anneau D'etancheite	7.362-003.0	2
57	Hd-Schlauch 5/260/ Hp-Hose/ Tuyau Souple A Hp	6.388-843.0	1
58	Hohlschraube M10x1/ Banjo Bolt/ Boulon Creux	7.386-363.0	1
59	Pumpensatz siehe Seite 11 (Bildtafel H 16 ) / Pump.set see Page 11 (Board H 16 ) / Jeu de pieces de rechange de pompe voir Page 11 (Tableau H 16 )	2.880-283.0	1

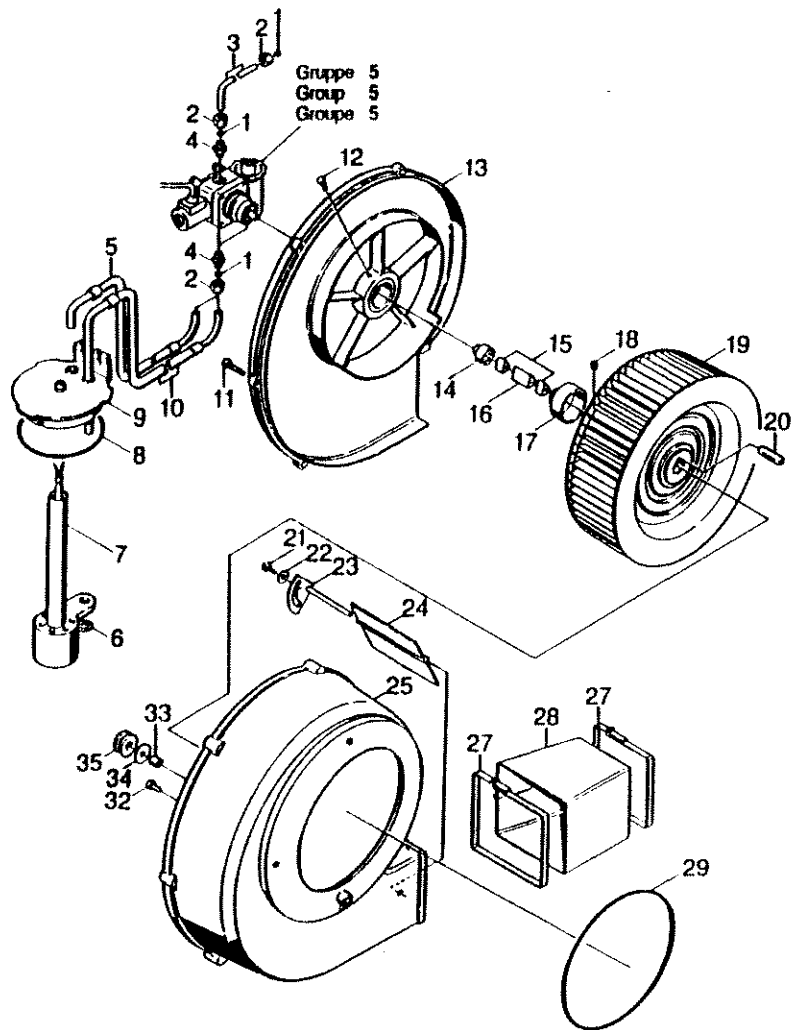
**Gruppe 3: Motor**  
**Group 3: Motor**  
**Groupe 3: Moteur**



Pos. Item Pos.	Benennung Description Designation	Teile-Nr. Part-No. No. piece	Stück Qty. Nbr.
1	Deckel/ Cover/ Couvercle	5.063-189.0	1
2	Behälter/ Receptacle/ Recipient	5.070-048.0	1
3	Dichtring/ Joint Ring/ Anneau D'etancheite	5.363-100.0	1
4	E-Motor / Motor / Moteur	6.611-199.0	1
5	Kugellager 6305-2z/ Ball Bearing/ Roulement A Billes	7.401-148.0	1
6	S.ring A 25x1,2/ Sealing Ring/ Circlip	7.343-008.0	1
7	6kt-Mutter M 8/ Hexagon Nut / Ecrou Hexagonal	7.311-510.0	8
8	Gummipuffer M8/ Rubber Buffer/ Butoir En Caout.	6.339-060.0	4
11	Zyl-Schr.is. M6x30/ Cheese Head Screw/ Vis A Tete Cylindr.	7.306-024.0	3
12	Gehäuse/ Housing/ Boîtier	5.060-181.0	1
13	Dichtring A 18x22/ Joint Ring/ Anneau D'etancheite	7.362-009.0	1
14	Vs.schraube M18x1,5/ Screw Plug/ Vis de Fermeture	7.382-235.0	1
15	Passfeder / Feather Key/ Ressort D'ajustage	7.318-012.0	1
16	Zyl-Schr.is. M 8x20/ Cheese Head Screw/ Vis A Tete Cylindr.	7.306-041.0	1
17	Federring 8/ Spring Washer/ Rondelle Grower	7.313-051.0	1
18	Scheibe R9/ Disk / Disque	7.312-261.0	1
19	Taumelscheibe/ Swash Plate/ Disque En Nutation	5.120-123.0	1
20	Kegelrollenlager / Taper Roller Bearin/ Paller Con.a Roul.	6.401-113.0	1
21	W.dichtring A 35x52/ Rotary Shaft Seal/ Bague A Levres Res.	7.367-009.0	1
22	Getriebeoel/ Gear Lubricant Oil/ Huile A Engrenages	6.288-016.0	11



**Gruppe 4: Gebläse**  
**Group 4: Blower**  
**Groupe 4: Ensemble mécanique**



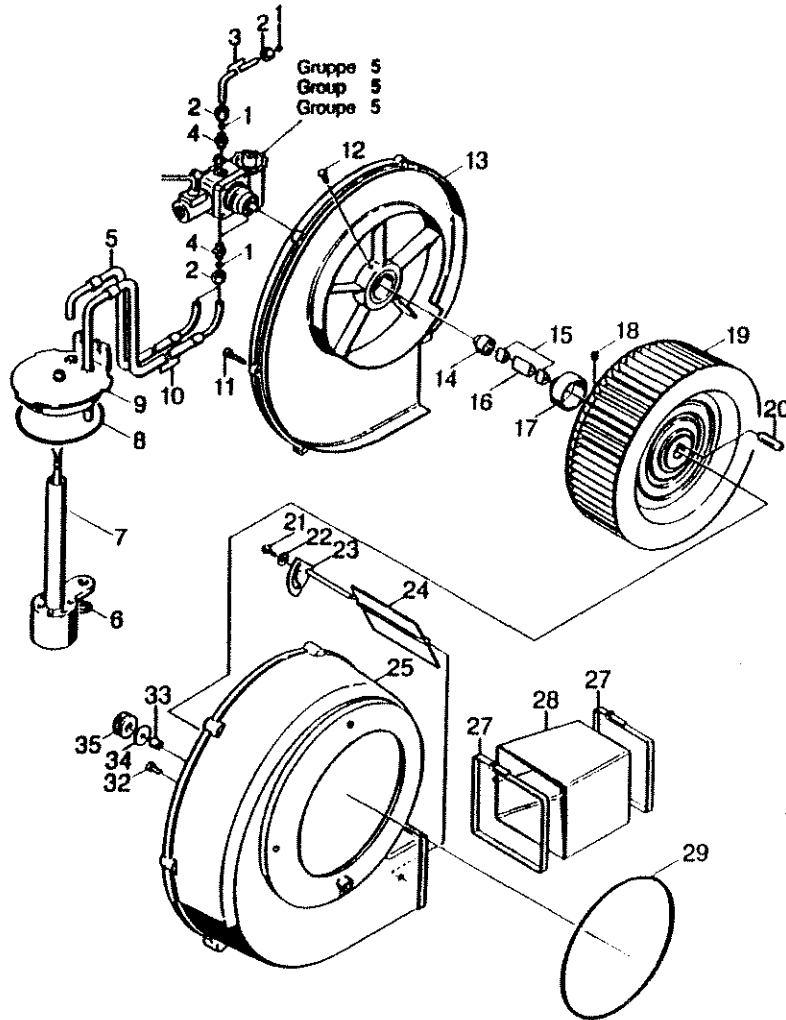
Pos. Item Pos.	Benennung Description Designation	Teil-Nr. Part-No. No. piece	Stück Qty. Nbr.
1	Schneidring/Olive /Bague coupante	6.386-160.0	4
2	Ueberwurfmutter/ Union Nut/ Ecrou-Raccord	6.386-159.0	4
3	Leitungsrohr/ Conduit/ Conduit	5.423-013.0	1
4	Schraubstutzen 1/8z/ Screw Socket/ Manchon Filete	6.386-181.0	3
5	Schlauchleitung/ Hose Pipe/ Cond.en Tuy.souples	6.388-333.0	1
6	Sicherungsscheibe/ Lock Washer/ Rondelle D'arret	6.343-119.0	1
7	Niveaufuehler/ Level Switch/ Contacteur de Niveau	6.631-439.0	1
8	O-Ring 68x4/ O-Ring / Joint Torique	6.362-474.0	1
9	Formteil/ Moulding/ Piece Profilee	5.030-434.0	1
10	Schlauchleitung/ Hose/ Flexible	6.388-334.0	1
11	Bl.schr.st4,8x25/ Sheet Metal Screw/ Vis A Tole	7.303-022.0	7
12	Zyl.-Schr.ls. M 6x16/ Cheese Head Screw/ Vis A Tete Cylindr.	7.306-020.0	1
13	Deckel/ Cover/ Couvercle	5.063-206.0	1
14	Kupplungsteil/ Coupling Piece/ Piece Dis.d'accoupl.	6.463-008.0	1
15	Kupplungsteil/ Coupling Element/ Piece Dis.d'accoupl.	6.463-020.0	2
16	Kupplungsteil/ Coupling Piece/ Piece Dis.d'accoupl	5.471-050.0	1
17	Kupplungsteil/ Coupling Piece/ Piece Dis.d'accoupl	5.471-049.0	1
18	Gewindestift M8x6/ Headless Pin/ Vis Sans Tete	7.307-407.0	1
19	Geblaeserad 218x80/ Fanwheel/ Roue de Ventilateur	6.484-017.0	1
20	Passfeder A 5x5x16/ Feather Key/ Ressort D'ajustage	7.318-002.0	1
21	Bl.schr.st4,8x16/ Sheet Metal Screw/ Vis A Tole	7.303-362.0	1
22	Scheibe A 5,3/ Disk/ Disque	7.312-278.0	1
23	Klappenwelle/ Flap Shaft/ Arbre de Volet	5.603-012.0	1
24	Luftklappe/ Air Throttle/ Volet D'aeration	5.606-001.0	1
25	Gehaeuse/ Housing/ Boitier	5.605-073.0	1



Gruppe 4: Gebläse  
 Group 4: Blower  
 Groupe 4: Ensemble mécanique

# C 4

# HDS 760



Pos. Item Pos.	Benennung Description Designation	Telle-Nr. Part-No. No. piece	Stück Qty. Nbr.
27	Spannband/ Strap Retainer/ Bande de Serrage	6.388-608.0	2
28	Tuchmanschette/ Cloth Collar/ Soufflet En Tissu	5.178-016.0	1
29	O-Ring 143x2 / O-Ring / Joint torique	6.362-456.0	1
32	6kt-Schraube M6x25/ Hex. Head Cap Screw/ Boulon A Six Pans	7.304-386.0	4
33	Huelse/ Pod/ Douille	5.110-222.0	4
34	Scheibe/ Disk/ Disque	5.115-233.0	4
35	Gummring/ Rubber Gasket/ Rondelle Caoutchouc	5.379-008.0	4

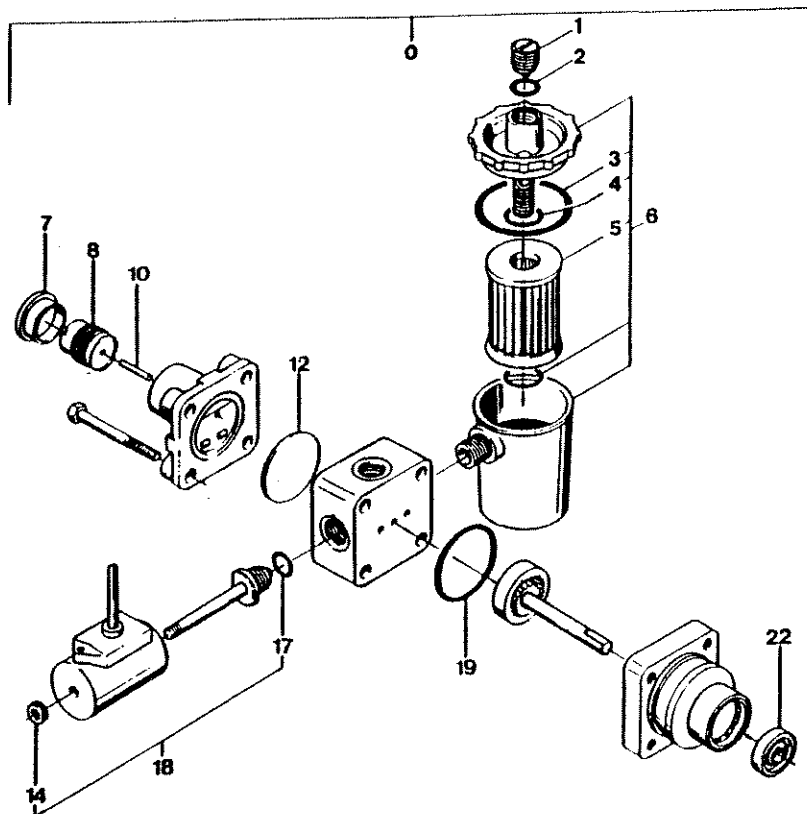


**Gruppe 5: Brennstoffpumpe**  
**Group 5: Fuel Pump**  
**Groupe 5: Pompe à combustible**

Gruppe 5: Brennstoffpumpe  
 Group 5: Fuel Pump  
 Groupe 5: Pompe à combustible

# B 5

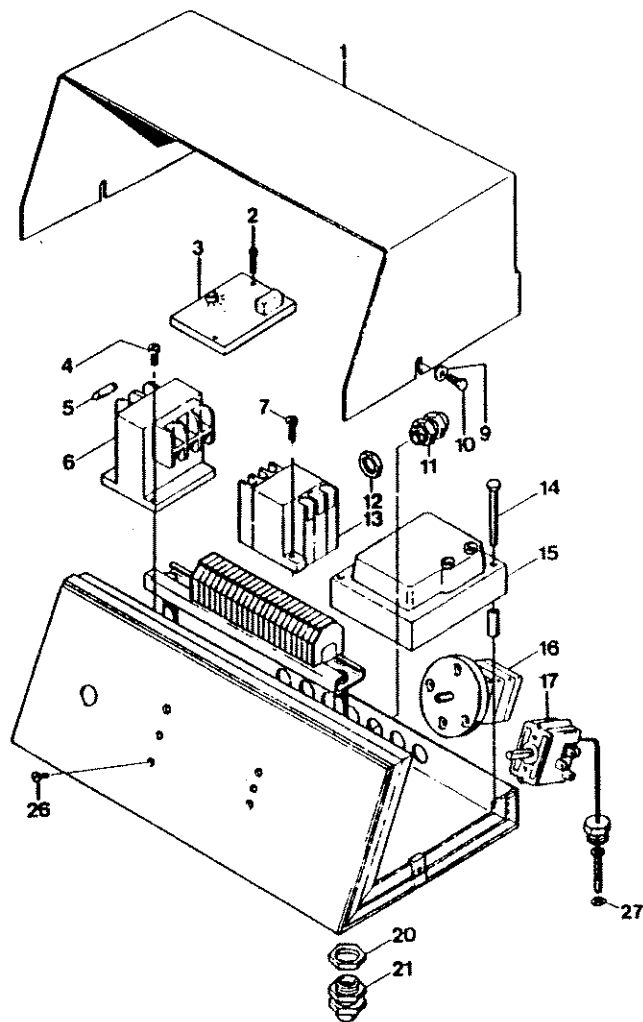
# HDS 760



Pos. Item Pos.	Benennung Description Designation	Telle-Nr. Part-No. No.piece	Stück Qty. Nbr.
0	Br.förderpumpe/ Fuel Pump With Sol./ Pompe A Combustible avec electrovanne	6.472-344.0	1
1	Entlueftungsschraub/ Vent Screw/ Vis de Sortir D'air	6.472-107.0	1
2	O-Ring 5-1,8/ O-Ring/ Joint Torique	6.472-106.0	1
3	O-Ring 32-1,6/ O-Ring/ Joint Torique	6.472-111.0	1
4	O-Ring 10-2,4/ O-Ring/ Joint Torique	6.472-112.0	1
5	Filtereinsatz/ Filtr Cartridge/ Cartouche Filtrante	6.472-113.0	1
6	Filtergehaeuse Kpl./ Filter Housing/ Boitier de Filtre	6.472-123.0	1
7	Schutzkappe/ Protecting Cap/ Capot Protection	6.472-122.0	1
8	Federgehaeuse/ Spring Housing/ Boitier de Ressort	6.472-109.0	1
10	Stift/ Pin/ Broche Cheville	6.472-108.0	1
12	Membran/ Membrane/ Membrane	6.472-128.0	1
14	Raendelmutter/ Knurled Nut/ Ecrou Molete	6.472-340.0	1
17	O-Ring/ O-Ring/ Joint Torique	6.472-125.0	1
18	Magnetventil Kompl./ Solenoid Valve/ Electrovanne	6.472-345.0	1
19	O-Ring 28,5-1,6/ O-Ring/ Joint Torique	6.472-120.0	1
22	Achsendichtung/ Shaft Seal/ Etoupage D'arbre	6.472-105.0	1



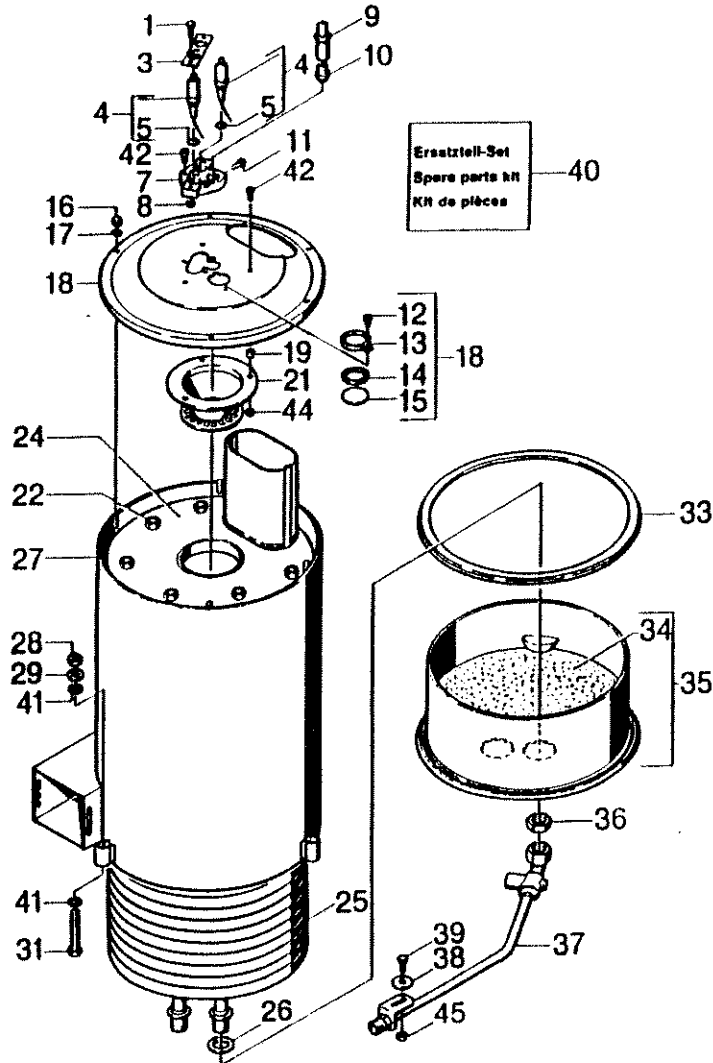
**Gruppe 6: Elektrogeräteschrank**  
**Group 6: Electrical Cabinet**  
**Groupe 6: Coffret électrique**



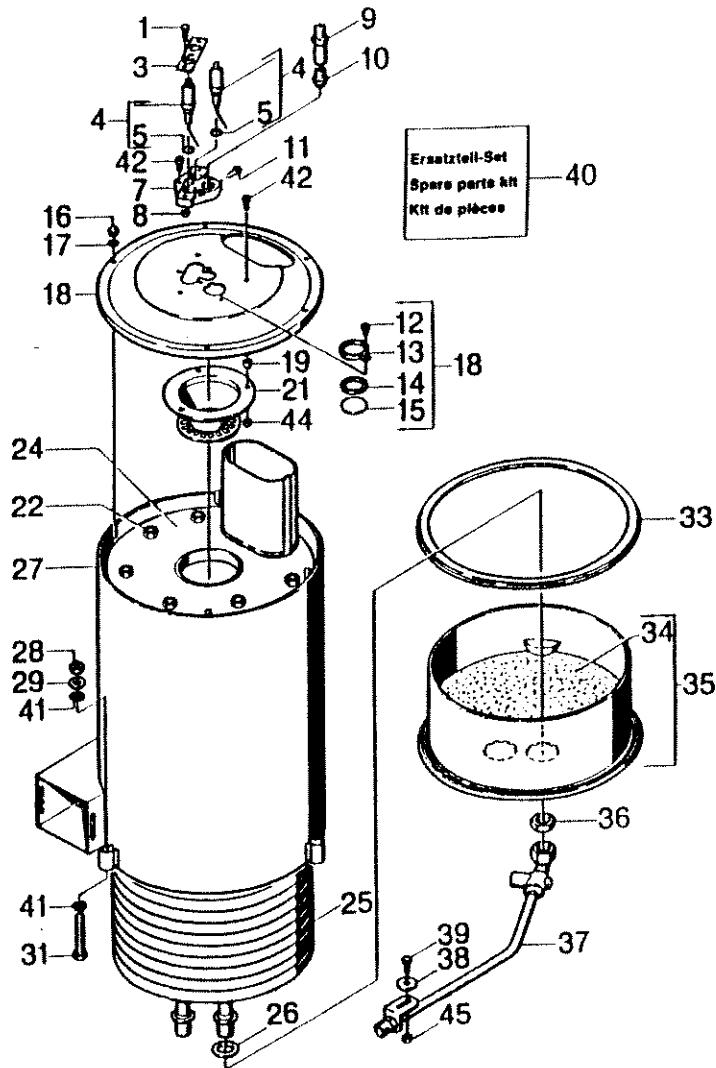
Pos. Item Pos.	Benennung Description Designation	Telle-Nr. Part-No. No. piece	Stück Qty. Nbr.
1	Haube/ Cap/ Capot	5.066-122.0	1
2	Schneidschraube m 3x16/ Self-Tapping Screw/ Vis Autotaraudeuse	6.303-014.0	2
3	Impulsgeber/ Impulse Transmitter/ Relais D'impulsion	6.633-090.0	1
4	Schneidschraube m 4x8/ Self-Tapping Screw/ Vis Autotaraudeuse	6.303-017.0	2
5	G-Schmelzeinsatz 2a/ Melting Plug/ Bouchon Fusible	6.644-052.0	1
6	St-Trafo 40 Va/ Transformer/ Transformateur	6.622-021.0	1
7	Schraube M4x16/ Screw / Vis	6.303-015.0	2
8	Scheibe A 4,3/ Disk/ Disque	7.312-001.0	2
9	Scheibe A 5,3/ Disk/ Disque	7.312-278.0	2
10	Blechshr.b 4,8x16/ Sheet Metal Screw/ Vis A Toile	7.303-121.0	2
11	Kabelverschr.pg 9/ Cable Connector/ Raccord de Cables	6.641-355.0	8
12	Gegenmutter Pg 9/ Counternut/ Contre-Ecrou	6.641-366.0	8
13	Schuetz 24v/ Contactor 24v/ Contacteur	6.632-081.0	1
14	Schneidschraube M 5x8/ Self-Tapping Screw/ Vis Autotaraudeuse	6.303-004.0	2
15	Zuendtrafo 380v/ Transformer/ Transformateur	6.622-055.0	1
16	Schalter/ Switch/ Interrupteur	6.631-081.0	1
17	Temperaturregler/ Thermostat/ Thermostat	6.685-375.0	1
20	Gegenmutter Pg13,5/ Counternut/ Contre-Ecrou	6.641-369.0	2
21	Kabelverschr.pg13,5/ Cable Connector/ Raccord de Cables	6.641-613.0	2
26	Senkschraube M4x8/ Countersunk Screw/ Vis A Tete Fraisee	7.305-021.0	4
27	Scheibe/ Disk/ Disque	5.115-375.0	1



**Gruppe 7: Durchlauferhitzer**  
**Group 7: Continuous Flow Boiler**  
**Groupe 7: Chaudière à circulation forcée**



Pos. Benennung Item Description Pos. Designation	Teile-Nr. Part-No. No. piece	Stück Qty. Nbr.
1 6kt-Schraube M5x16/ Hex. Head Cap Screw/ Boulon A Six Pans	7.304-372.0	3
3 Lasche/ Bracket/ Bras Support	5.004-228.0	1
4 Et-Set Zuendelekt./ Ignit. Electrode/ 2elect.allumage Hds	2.880-177.0	1
5 Dichtring C 12x15,5/ Joint Ring/ Anneau D'etancheite	7.362-004.0	2
7 Kerzenhalter/ Spark.plug Support/ Appui Bougie D'all.	5.668-001.0	1
8 6kt-Mutter M 5/ Hexagon Nut m 5/ Ecrou Hex. m 5	7.311-037.0	3
9 Duesenhalter/ Nozzle Holder/ Porte-Tuyeres	5.667-021.0	1
10 Duese 1,5 gPH/ Nozzle/ Tuyere	6.415-040.0	1
11 6kt-Schraube M5x12/ Hex. Head Cap Screw/ Boulon A Six Pans	7.304-371.0	7
12 Blechshr.B 3,5x 6,5/ Sheet Metal Screw/ Vis A Tole	7.303-012.0	1
13 Blech/ Sheet Metal/ Tole	5.000-590.0	1
14 Flachdichtung/ Flat Packing/ Garniture Plate	5.364-100.0	1
15 Glasscheibe/ Glass Pane/ Vitre	6.278-014.0	1
16 Hutmutter M 6/ Cap Nut/ Ecrou Borgne	7.311-380.0	3
17 Zahnscheibe A 6,4/ Crown Gear/ Roue Plate	7.312-167.0	2
18 Deckel D.k./ Burner Cover/ Couvercledebruleur	4.654-091.0	1
19 Hueelse/ Sleeve/ Douille	5.110-315.0	3
21 Brenneinsatz/ Burner Insert/ Bruleur	4.663-060.0	1
22 6kt-Mutter M 6/ Hexagon Nut / Ecrou Hex. m 6	7.311-039.0	4
24 Brenneinsatz/ Burner Funnel/ Bruleur	4.663-057.0	1
25 Heizschlange/ Heater Coil/ Serpentin de Chauff.	4.680-063.0	1
26 Profildichtung/ Profile Seal/ Joint Profilee	5.365-068.0	1
27 Aussenmantel/ Outer Jacket/ Enveloppe Exterieur	4.652-055.0	1

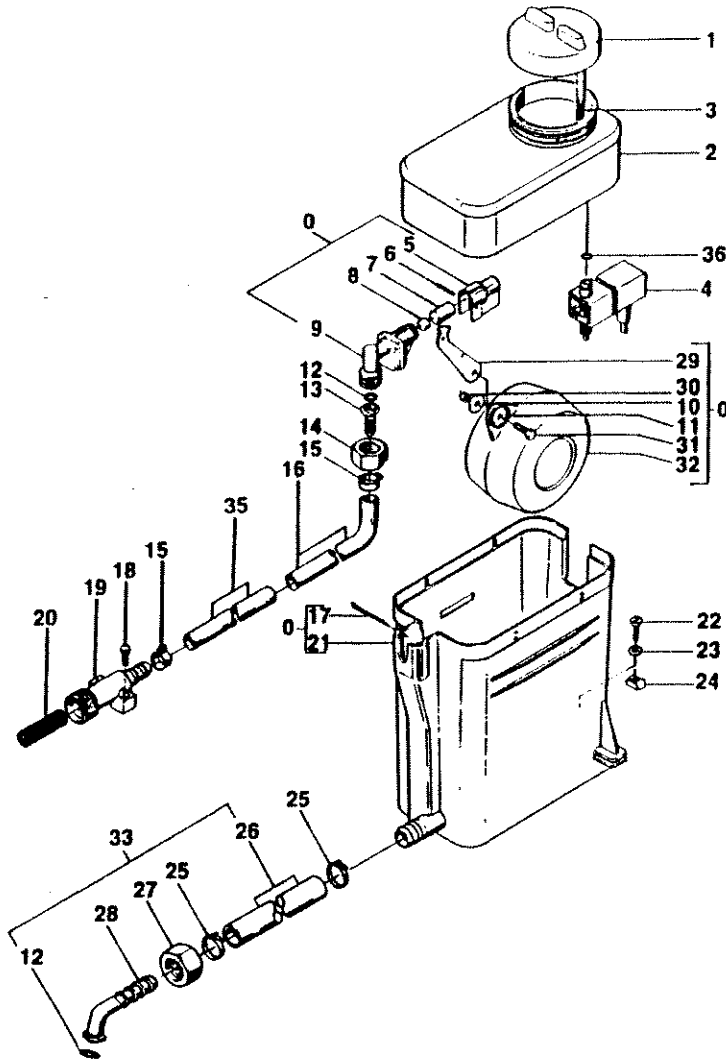


Pos. Item Pos.	Benennung Description Designation	Teile-Nr. Part-No. No. piece	Stück Qty. Nbr.
28	Selbsts. Mutter M10/ Self-Locking Nut/ Ecrou Indesserrable	7.311-511.0	3
29	Scheibe B 10,5/ Disk/ Disque	7.312-005.0	3
31	6kt-Schr. M 10x65/ Hex. Head Cap Screw/ Boulon A Six Pans	7.304-422.0	3
32	Zarge/ Sash/ Cerclage de Maint.	5.012-202.0	1
33	Profildichtung / Profile Gasket / Joint profile	5.365-009.0	1
34	Stampfmasse/ Refractory/ Ciment	6.286-016.0	8
35	Boden D.k./ Base of Burner/ Fond	4.655-036.0	1
36	6kt-Mutter M22x1,5/ Hexagon Nut / Ecrou Hex.	7.311-155.0	2
37	Rohrleitung/ Tube/ Conduite	4.420-910.0	1
38	Unterlage/ Base/ Base	5.378-058.0	1
39	6kt-Schraube M6x16/ Hex. Head Cap Screw/ Boulon A Six Pans	7.304-383.0	2
40	Ersatzteilset siehe Seite (Bildtafel L 16) / Spare parts kit see Page (Board L 16) / Kit de pieces voir Page (Tableau L 16)	2.880-266.0	1
41	Zahnscheibe A 10,5/ Crown Gear/ Roue Plate	7.312-160.0	2
42	Schraube M 5x12 / Screw / Vis	7.306-443.0	6
44	Mutter M 5 / Nut / Ecrou	7.311-002.0	3





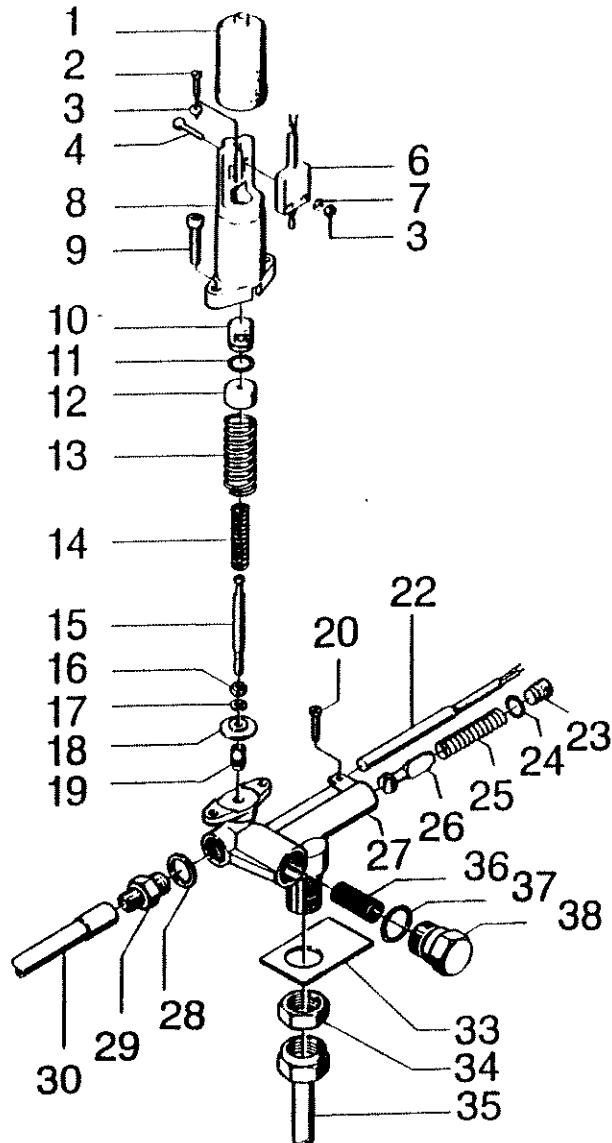
**Gruppe 8: Schwimmerventil**  
**Group 8: Float Valve**  
**Groupe 8: Bac à flotteur**



Pos. Item Pos. Designation	Benennung Description Designation	Telle-Nr. Part-No. No. piece	Stück Qty. Nbr.
0	Schwimmerventil/ Float Valve/ Soupape A Flotteur	3.593-054.0	1
1	Deckel/ Cover/ Couvercle	5.063-226.0	1
2	Behälter/ Receptacle/ Recipient	4.070-094.0	1
3	Schraubenfeder/ Coil Spring/ Ressort A Boudin	5.332-001.0	1
4	Magnetventil/ Solenoid Valve/ Electrovanne	6.685-210.0	1
5	Schutzteil/ Protection Piece/ Piece de Protection	5.394-066.0	1
6	Bolzen 3h11x25/ Pin/ Axe	7.316-004.0	1
7	Ventilbolzen/ Valve Pin/ Axe de Soupape	5.584-026.0	1
8	Flachdichtung/ Flat Packing/ Garniture Plate	5.364-095.0	1
9	Ventilgehäuse/ Valve Box/ Bolte A Soupape	5.587-103.0	1
10	Scheibe A 6,4/ Disk/ Disque	7.312-279.0	1
11	Scheibe/ Disk/ Disque	5.115-158.0	1
12	O-Ring 13,3x2,4/ O-Ring/ Joint Torique	6.362-078.0	2
13	Schlauchnippel/ Hose Stem/ Raccord Pour Tuyau	5.443-224.0	1
14	Mutter R 3/4z/ Nut/ Ecrou	5.310-061.0	1
15	Schl.schelle 16-25/ Hose Band Clip/ Collier de Serrage	6.388-547.0	2
16	Schlauchstück/ Flexible Tube Piece/ Piece de Tuyau	5.442-506.0	1
17	Splint 4x50/ Split Pin/ Goupille	7.316-432.0	1
18	6kt-Schraube M6x16/ Hex. Head Cap Screw/ Boulon A Six Pans	7.304-383.0	1
19	Knotenstück/ Strut Att. Fitting/ Ferrure Nodale	5.427-075.0	1
20	Sieb/ Strainer/ Passoir	6.414-141.0	1
21	Behälter/ Receptacle/ Recipient	5.070-064.0	1
22	Bl.schr.st4,8x25/ Sheet Metal Screw/ Vis A Toile	7.303-364.0	2
23	Scheibe A 5,3/ Disk/ Disque	7.312-278.0	2
24	Schnappmutter 4,8/ Snap Nut/ Ecrou Encliquetable	6.310-028.0	2

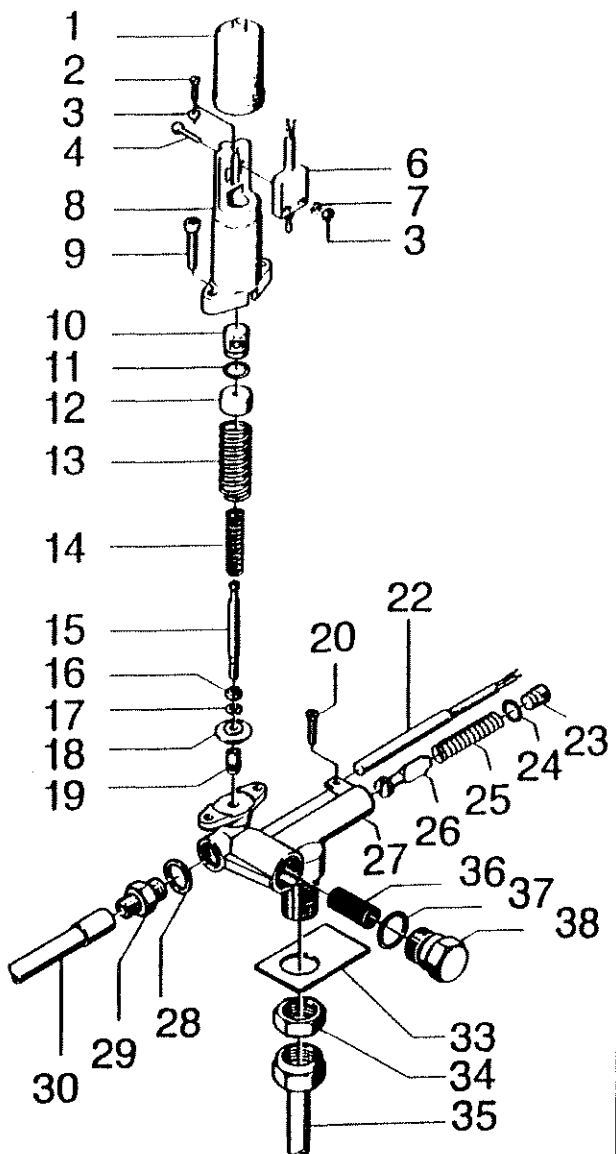


**Gruppe 9: Sicherheitsblock**  
**Group 9: Safety System**  
**Groupe 9: Bloc de sécurité**



0  
 ohne 28  
 29  
 30  
 33  
 34  
 35

Pos. Item Pos.	Benennung Description Designation	Telle-Nr. Part-No. No. piece	Stück Qty. Nbr.
0	Sicherheitsblock/ Safety System/ Bloc de Securite	4.749-047.0	1
1	Schutzteil/ Protection Piece/ Piece de Protection	5.394-060.0	1
2	Zyl.schraube M 3x16/ Cheese Head Screw/ Vis A Tete Cylindr.	7.306-406.0	1
3	6kt-Mutter M 3/ Hexagon Nut/ Erou Hex.	7.311-000.0	3
4	6kt-Schraube M 3x20/ Hex. Head Cap Screw/ Boulon A Six Pans	7.304-352.0	2
6	Mikroschalter/ Mikrowitch/ Minirupteur	6.631-125.0	1
7	Federring B 3/ Spring Washer/ Rondelle Grower	7.313-000.0	2
8	Gehaeuse/ Housing/ Boiltler	5.060-099.0	1
9	Zyl-Schr.Is. M 6x30/ Cheese Head Screw/ Vis A Tete Cylindr.	7.306-024.0	2
10	Kolben/ Piston/ Piston	5.553-046.0	1
11	O-Ring 12,0x2,0/ O-Ring/ Joint Torique	6.362-169.0	1
12	Buchse/ Bush/ Douille	5.112-185.0	1
13	Schraubenfeder/ Coil Spring/ Ressort A Boudin	5.332-069.0	1
14	Schraubenfeder/ Coil Spring/ Ressort A Boudin	5.332-070.0	1
15	Stange/ Rod/ Perche	5.107-023.0	1
16	Buchse/ Bush/ Douille	5.112-094.0	1
17	Sicherg-Schelbe 4/ Lock Washer/ Rondelle D'arret	7.343-203.0	1
18	Schelbe/ Disk/ Disque	5.115-147.0	1
19	Kolben/ Piston/ Piston	4.553-025.0	1
20	Zyl.schraube JS M6x16/ Cheese Head Screw/ Vis A Tete Cylindr.	7.306-020.0	1
22	Ersatz-Reedschalter/ Subst.-Reed Switch/ Rempl.-Contact. reed	2.880-194.0	1
23	Formschraube/ Special Screw/ Vis de Forme	5.305-162.0	1
24	O-Ring 10,0x1,5/ O-Ring/ Joint Torique	6.362-482.0	1



Pos. Benennung  
 Item Description  
 Pos. Designation

Teile-Nr.  
 Part-No.  
 No. piece

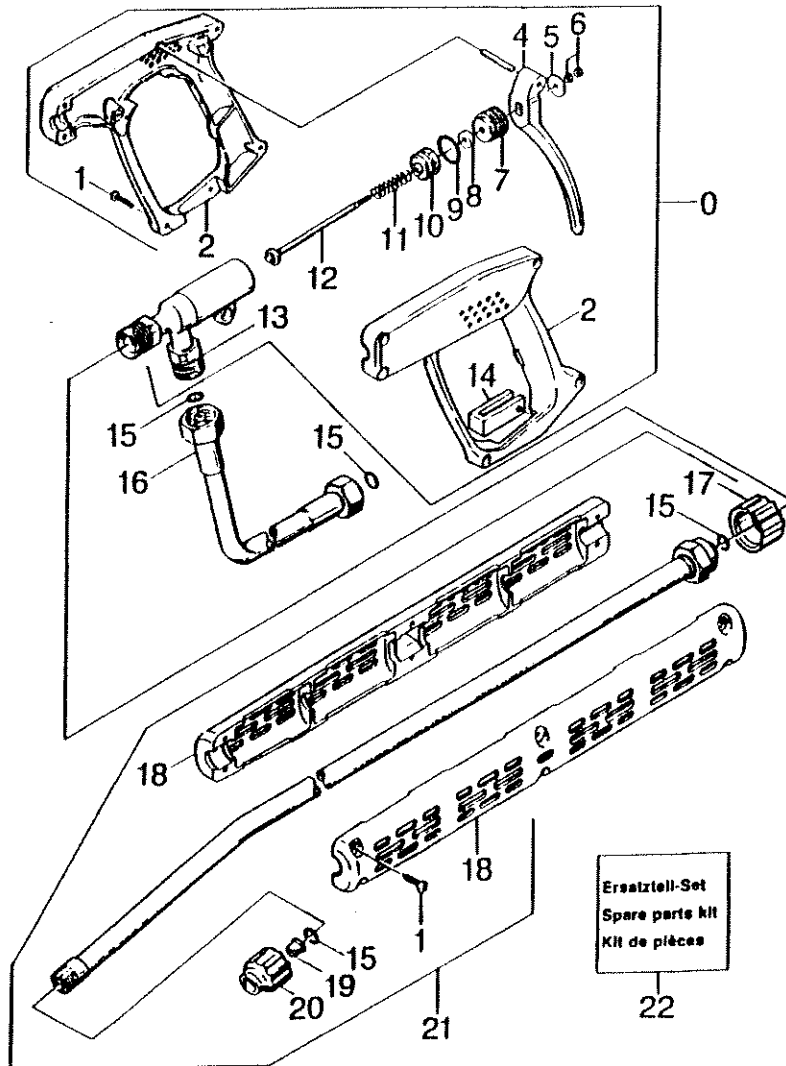
Stück  
 Qty.  
 Nbr.

25	Schraubenfeder/ Coil Spring/ Ressort A Boudin	5.332-057.0	1
26	Kolben/ Piston/ Piston	4.553-023.0	1
27	Gehäuse/ Housing/ Boltier	5.605-131.0	1
28	Dichtring A 18x22/ Joint Ring/ Anneau D'etancheite	7.362-009.0	1
29	Schraubstutzen/ Screw Socket/ Manchon Filete	7.386-476.0	1
30	Hd-Schlauch 8/590/ Hp Hose/ Flexible Hp	6.388-859.0	1
33	Halter/ Bracket/ Fixation	5.042-261.0	1
34	6kt-Mutter M 22x1,5/ Hexagon Nut/ Ecrou Hex.	7.311-155.0	1
35	Rohrleitung/ Tube/ Conduite	4.420-912.0	1
36	Sieb/ Strainer/ Passoir	6.414-111.0	1
37	O-Ring 17,3x2,4/ O-Ring/ Joint Torique	6.362-160.0	1
38	Verschlusschraube/ Screw Plug/ Vis de Fermeture	5.411-059.0	1

ohne 28  
 29  
 30  
 33  
 34  
 35



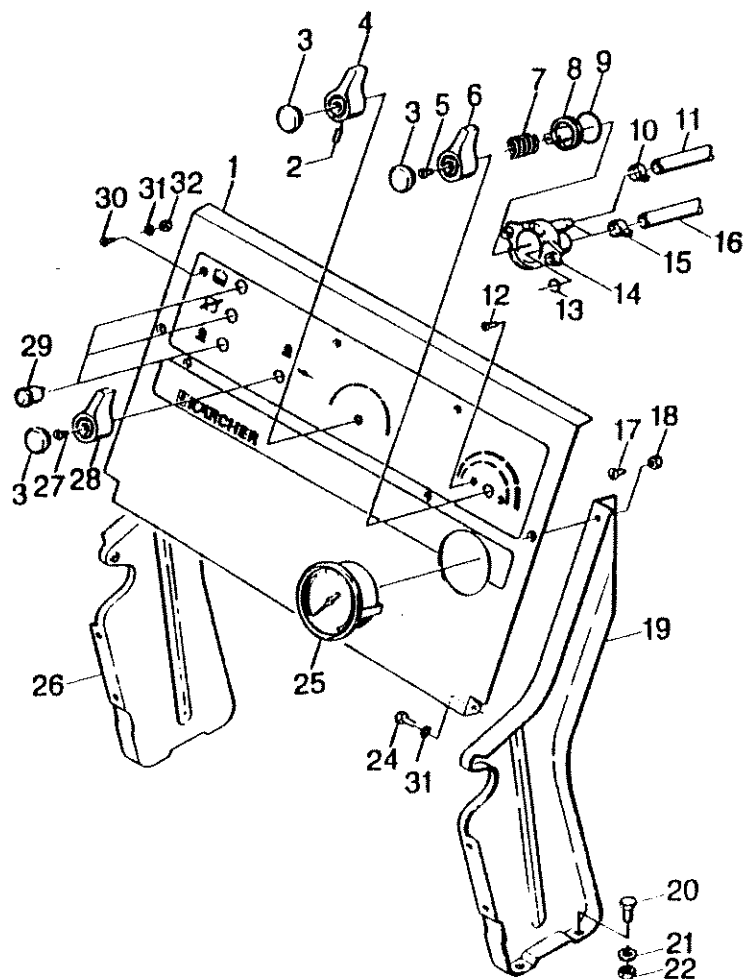
**Gruppe 10: Zubehör**  
**Group 10: Accessories**  
**Groupe 10: Accessoires**



Pos. Benennung Item Description Pos. Designation	Teil-Nr. Part-No. No. piece	Stück Qty. Nbr.
0 Handspritzpistole/ Trigger Gun/ Poignee Pistolet	4.775-012.0	1
1 Schraube 4,2x16/ Screw/ Vis	6.303-025.0	6
2 Griff-Paar/ Grip Pair/ Paire de Poignees	5.321-052.0	1
4 Hebel/ Lever/ Levier	5.481-026.0	1
5 Scheibe/ Disk/ Disque	5.115-187.0	1
6 6kt-Mutter M 4/ Hexagon Nut / Ecrou Hex.	7.311-036.0	2
7 Formschraube/ Special Screw/ Vis de Forme	5.305-075.0	1
8 Lippenring/ Lip Ring/ Joint A Levre	6.365-041.0	1
9 O-Ring 15x2,5/ O-Ring/ Joint Torique	7.362-504.0	1
10 Hülse/ Pod/ Douille	5.110-150.0	1
11 Schraubenfeder/ Coil Spring/ Ressort A Boudin	5.332-050.0	1
12 Ventilsitz/ Valve Seat/ Siege de Soupape	4.581-010.0	1
13 Knotenstueck/ Strut Attach. Fitt./ Ferrure Nodale	5.427-029.0	1
14 Hebel/ Lever/ Levier	5.481-020.0	1
15 O-Ring Set (5 Stück ) / O-Ring Set (5 Pieces)/ Kits Joints (5 Nbr)	2.880-296.0	1
16 Hd Schlauch/ Hp-Hose/ Tuyau Souple A Hp	6.388-083.0	1
17 Schutzteil/ Protection Part/ Piece de Protection	5.394-050.0	1
18 Griff/ Handle/ Poignee	5.321-102.0	2
19 Dues.mundst.25054/ Nozzle Mouthpiece/ Nez de Buse	6.415-359.0	1
20 Verschraubungsteil/ Screw Fitting/ Raccord Visse	5.401-129.0	1
21 Strahlrohr 1040 mm/ Jet Tube/ Lance D'Incendie	4.760-049.0	1
22 Et-Set Handspritzpistole siehe Seite 16/ Trigger Gun Set see Page (Bildtafel E Pistolet voir Page (Tableau E16)	2.880-173.0	1



**Gruppe 11: Instrumententafel**  
**Group 11: Control panel**  
**Groupe 11: Tableau de commandes**

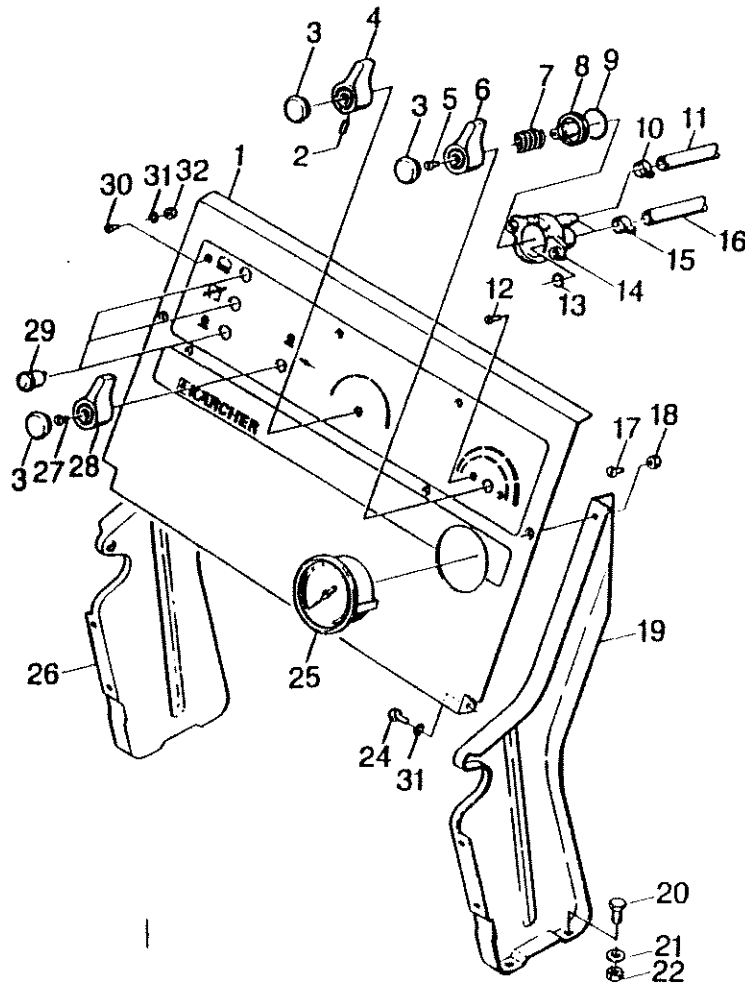


Pos. Item Pos.	Benennung Description Designation	Teile-Nr. Part-No. No. piece	Stück Qty. Nbr.
1	Instrumententafel/ Control Panel/ Tableau de Commande	5.841-116.0	1
2	Gewindestift M 5x10/ Headless Pin/ Vis Sans Tete	7.307-181.0	1
3	Stopfen/ Plug/ Bouchon	5.132-010.0	3
4	Griff/ Handle/ Poignee	5.321-026.0	1
5	Senkschraube M4x16/ Countersunk Screw/ Vis A Tete Fraisee	7.305-023.0	1
6	Griff/ Handle/ Poignee	5.321-023.0	1
7	Schraubenfeder/ Coil Spring/ Ressort A Boudin	5.332-028.0	1
8	Ventilsitz/ Valve Seat/ Siege de Soupape	5.581-039.0	1
9	O Ring 26x2,5/ O-Ring/ Joint Torique	6.362-385.0	1
10	Schl.schelle 13/9/ Hose Band Clip/ Collier de Serrage	6.388-550.0	1
11	Schlauch Nw7/ Flexible Tube/ Tuyau Flexible	6.388-194.0	1m
12	Senkschraube M4x10/ Countersunk Screw/ Vis A Tete Fraisee	6.305-001.0	2
13	O Ring 5x1,5/ O-Ring/ Joint Torique	6.362-386.0	1
14	Ventilgehäuse/ Valve Box/ Boite A Soupape	5.587-054.0	1
15	Schlauchschelle/ Hose Band Clip/ Collier de Serrage	6.388-559.0	2
16	Schlauch Nw 7/ Flexible Tube/ Tuyau Flexible	6.388-225.0	2m
17	Senkschraube M5x10/ Countersunk Screw/ Vis A Tete Fraisee	7.305-599.0	2
18	6kt-Mutter M 5/ Hexagon Nut/ Ecrou Hex.	7.311-421.0	4
19	Staender Rechts/ Support Right/ Support A Droite	5.052-013.0	1
20	6kt-Schraube M8x16/ Hex. Head Cap Screw/ Boulon A Six Pans	7.304-395.0	8
21	Scheibe B 8,4/ Disk/ Disque	7.312-004.0	8
22	6kt-Mutter M 8/ Hexagon Nut/ Ecrou Hex.	7.311-004.0	8
24	6kt-Schraube M5x10/ Hex. Head Cap Screw/ Boulon A Six Pans	7.304-370.0	2

Gruppe 11: Instrumententafel  
 Group 11: Control panel  
 Groupe 11: Tableau de commandes

# C 11

# HDS 760



Pos. Benennung  
 Item Description  
 Pos. Designation

Teile-Nr.  
 Part-No.  
 No.piece

Stück  
 Qty.  
 Nbr.

25	Manometer 0-250 Bar/ Manometer/ Manometre	6.421-075.0	1
26	Staender Links/ Support Left/ Support A Gauche	5.052-012.0	1
27	Zyl.schr. M3,5x12/ Cheese Head Screw/ Vis A Tete Cylindr.	7.306-415.0	1
28	Griff/ Handle/ Poignee	5.321-021.0	1
29	Anzeigeleuchte/ Pilot Lamp/ Lampe Temoin	6.651-058.0	3
30	Senkschraube M4x10/ Countersunk Screw/ Vis A Tete Fraisee	6.305-001.0	5
31	Zahnscheibe A 6,4/ Crown Gear/ Roue Plate	7.312-165.0	12
32	6kt-Mutter M 4/ Hexagon Nut / Ecrou Hex.	7.311-424.0	5



Telle sind im Ersatzteilset 2.880-173 enthalten  
 Parts included in spare parts kits 2.880-173  
 Pieces comprises dans le jeu de pieces rechange 2.880-173

Seite Page Page	Bildtafel Board Tableau	Pos. Item Pos.	Benennung Designation Designation	Telle-Nr. Part No. No.pieces	Stck. Qty. Nbr.
	B 10	1	Schraube 4,2x16 / Screw / Vis	6.303-025	6
		8	Lippenring mit Stützring / Lipped ring with backing ring / Joint a levre avec bague d appui	6.365-041	1
		9	O-Ring 15x2,5/ O-Ring / Joint torique	7.362-504	1
		11	Schraubenfeder / Helical spring / Ressort helicoidal	5.332-050	1
		12	Ventilsitz / Valve seat / Siege de soupape	4.581-010	1



# F 16

Anschlußkabel  
Connecting Cable  
Cable de raccordement

**D, F, B, NL, S, E, I, DK**

\* Teile sind im Anschlußkabel enthalten  
\* Parts included in connecting cable  
\* Pieces comprises dans le cable de raccordement

Gerätetyp Model Type de machine	Kabel Cable Cable	Kabelverschraubung Cable connector Raccord de cables	Halbverschraubung Half-round screw connection Raccord	Tülle Socket Douille	Gegenmutter Counternut Contre-ecrou	Erdungsschraube Earthing screw Vis de mise a la terre	Reduzierstück Reducer Reducteur	Klemmscheibe Clamping disc Disque de serrage	Cekon-Stecker Cekon connector Prise cekon
KÄRCHER 455	6.641-919				6.641-366	6.303-074			
prof1 HD 555	6.641-289	6.641-355							
HD 555 S	6.641-289	6.641-355							
KÄRCHER 570	6.641-536				6.641-366	6.303-074			
HD 575	6.641-536				6.641-366	6.303-074			
HD 580	6.641-191		6.641-362	6.641-384					
HD 610	6.641-148		6.641-362	6.641-363					6.646-030
HD 655	6.641-867	6.641-668							
HD 700	6.641-196		6.641-362	6.641-363					
HD 750	6.641-537	6.641-797							
HD 820	4.820-129	6.641-343	6.641-362M	6.641-363M	6.641-480				6.646-030M
HD 820 WS	4.820-144	6.641-343	6.641-362M	6.641-363M	6.641-480M				6.646-030
HD 850	6.641-538	6.641-797							
HD 850 WS	6.641-537	6.641-797							
HD 1000 SEI	4.820-130	6.641-343	6.641-362M	6.641-363M	6.641-480M				6.646-030M
HD 1000 WS	4.820-144	6.641-343	6.641-362M	6.641-363M	6.641-480M				6.646-030M
HD 1050	4.830-130		6.641-362M	6.641-363M	6.641-480M				
HDS 550 C	4.820-162		6.641-362M	6.641-363M	6.641-480				
HDS 550	4.820-162		6.641-362M	6.641-363M	6.641-480				
HDS 580	4.820-162		6.641-362M	6.641-363M	6.641-480				
HDS 590	4.820-161		6.641-362M	6.641-363M	6.641-480				6.646-030
HDS 610	4.820-161		6.641-362M	6.641-363M	6.641-480				6.646-030
HDS 650	4.820-162		6.641-362M	6.641-363M	6.641-480				
HDS 690	4.820-161		6.641-362M	6.641-363M	6.641-480				
HDS 750	4.820-162		6.641-362M	6.641-363M	6.641-480				
HDS 755	4.820-162		6.641-362M	6.641-363M	6.641-480				
HDS 760	4.820-161		6.641-362M	6.641-363M	6.641-480				6.646-030
HDS 790	4.820-183		6.641-362M	6.641-363M	6.641-480				
HDS 810	4.820-184		6.641-362M	6.641-363M	6.641-480				6.646-030
HDS 850	4.820-183		6.641-362M	6.641-363M	6.641-480				
HDS 890	4.820-161		6.641-362M	6.641-363M	6.641-480				
HDS 1210	4.820-184		6.641-362M	6.641-363M	6.641-480				6.646-030
HDS 1250	4.820-184		6.641-362M	6.641-363M	6.641-480				6.646-030
HDS 1290	4.820-184		6.641-362M	6.641-363M	6.641-480				6.646-030
HDS 1390	4.820-184		6.641-362M	6.641-363M	6.641-480				6.646-030
HDS 200	4.820-149		6.641-372M	6.641-371M	6.641-486				6.646-044
Farmer	4.820-161		6.641-362M	6.641-363M	6.641-480				6.646-030

# G 16

Anschlusskabel  
Connecting Cable  
Cable de raccordement

CH

Gerätetyp Model Type de machine	Kabel Cable Cable	Kabelverschraubung Cable connector Raccord de cables	Halbverschraubung Half-round screw connection Raccord	Tülle Socket Douille	Gegenmutter Counternut Contre-ecrou	Erdungsschraube Earthing screw Vis de mise a la terre	Reduzierstück Reducer Reducteur	Klemmscheibe Clamping disc Disque de serrage	Cekon-Stecker Cekon connector Prise cekon
KÄRCHER 455	6.641-837	6.641-824			6.641-366	6.303-114		6.641-804	
profil HD 555	6.641-294	6.641-355							
KÄRCHER 570	6.641-837	6.641-824			6.641-366	6.303-114		6.641-804	
HD 575	6.641-837	6.641-824			6.641-366				6.641-082
HD 580	6.641-294								
HD 655	6.641-888	6.641-668							
HD 700	6.641-294								
HD 820	6.641-114	6.641-343			6.641-480				6.646-030
HD 820 WS	6.641-113	6.641-343			6.641-480				6.646-064
HD 850	6.641-114		6.641-362						
HD 850 WS	6.641-113	6.641-797							6.646-030
HD 1000 SEI	6.641-114		6.641-362						6.646-030
HD 1050	6.641-114		6.641-362	6.641-363	6.641-480				6.646-030
Hobby 600	6.641-294	6.641-355							
Hobby 800	6.641-857	6.641-355							
HDS 550 C	6.641-109				6.641-480				
HDS 550	6.641-109				6.641-480				
HDS 580	6.641-109				6.641-480				6.646-030
HDS 590	6.641-110				6.641-480				6.646-030
HDS 610	6.641-110				6.641-480				
HDS 650	6.641-109				6.641-480				6.646-030
HDS 690	6.641-110				6.641-480				
HDS 750	6.641-109				6.641-480				
HDS 755	6.641-109				6.641-480				6.646-030
HDS 760	6.641-110				6.641-480				
HDS 790	6.641-109				6.641-480				
HDS 810	6.641-110				6.641-480				
HDS 850	6.641-109				6.641-480				6.646-030
HDS 890	6.641-110				6.641-480				6.646-030
HDS 1210	6.641-110				6.641-480				6.646-030
HDS 1250	6.641-110				6.641-480				6.646-030
HDS 1290	6.641-110				6.641-480				6.646-030
HDS 1390	6.641-110				6.641-480				6.646-030

Teile sind im Pumpensatz 2.880-283 enthalten  
 Parts included in pump kit 2.880-283  
 Compris dans le jeu de pieces de rechange pompe 2.880-283

Seite Page Page	Bildtafel Board Tableau	Pos Item Pos.	Benennung Designation Designation	Teile-Nr. Part No. No.pieces	Stck. Qty. Nbr.
	B 2/E 2	11	O-Ring 100x1,78/ O-ring/Joint torique	6.362-448	1
		14	O-Ring 34,65x1,78/ O-ring/Joint torique	6.362-484	3
		15	Nutring 20x28x6/8 / Packing ring / Joint rainure	6.365-052	3
		17	Nutring 20x30x8/4 / Packing ring / Joint rainure	6.365-053	3
		19	Scheibe / Washer / Rondelle	5.115-224	3
		20	Nutring20x28x5 / Packing ring / Joint rainure	6.365-061	4
	C 2/F 2	34	Ventil kompl./ Valve compl. /Soupape compl.	4.580-117	6
	B 3	13	Dichtring A 18x22 / Sealing ring / Bague d'etancheite	7.362-009	1



Teile sind im Ersatzteilset 2.880-278 enthalten  
 Parts included in spare parts kits 2.880-278  
 Pieces comprises dans le jeu de pieces rechange 2.880-278

Seite Page	Bildtafel Board Tableau	Pos. Item Pos.	Benennung Designation Designation	Teile-Nr. Part No. No.pieces	Stck. Qty. Nbr.
9/13	B 2/E 2	11	O-Ring 100x1,78/ O-ring/ Joint torique	6.362-448	1
		14	O-Ring 34,65x1,78/ O-ring/Joint torique	6.362-484	3
		15	Nutring 20x28x6/8 / Packing ring / Joint rainure	6.365-052	3
		17	Nutring 20x30x8/4 / Packing ring / Joint rainure	6.365-053	3
		19	Scheibe / Washer / Rondelle	5.115-224	3
		20	Nutring 20x28x5/ Packing ring / Joint rainure	6.365-061	3
10/14	C 2/F 2	40	O-Ring komplett / O-ring assy. / Joint torique complet	6.362-365	1
		41	O-Ring 8x1,5 / O-ring /Joint torique	6.362-388	1
11/15	D 2/G 2	53	Dichtung / Gasket / Joint	5.363-094	1
23	B 5	3	O-Ring / O-ring / Joint torique	6.472-111	1
		4	O-Ring / O-ring / Joint torique	6.472-112	1
		5	Filtereinsatz / Filter element / Cartouche de filtre	6.472-113	1
36	B 9	36	Sieb / Filter / Crepine	6.414-111	1
		37	O-Ring 17,3x2,4 / O-ring/Joint torique	6.362-160	1
40	B 10	8	Lippenring / Lip ring / Joint torique	6.365-041	1
		9	O-Ring 15x2,5 / O-ring / Joint torique	7.362-504	1
		12	Ventilsitz / Valve seat / Siege de soupape	4.581-010	1
		15	O-Ring Set (5Stck) / O-ring set (5) / Jeu de joints (5 joints)	2.880-296	1
		20	Oberwurfmutter M18x1,5 / Union nut / / Ecrou-raccord	5.401-129	1



Teile sind im Ersatzteilset 2.880-266 enthalten  
 Parts included in spare parts kits 2.880-266  
 Pieces comprises dans le jeu de pieces rechange 2.880-266

Seite Page Page	Bildtafel Board Tableau	Pos. Item Pos.	Benennung Designation Designation	Teile-Nr. Part No. No.pieces	Stck. Qty. Nbr.
	B 7	1	6-Kant-Schraube M5x16 / Screw / Vis	7.304-372	
		4	Zündelektrode (2 Stück) / Ignition electrode (2) / Electrodes (2)	2.880-177	2
		5	Dichtring C 12x15,5 / Sealing ring / Bague d'etancheite	7.362-004	2
		8	6-Kant-Mutter M5 / Hex. nut / Ecrou a 6 pans	7.311-037	3
		10	Düse 1,5 gpi / Nozzle / Gicleur	6.415-040	1
		11	6-Kant-Schraube M5x12 / Screw / Vis	7.304-371	1



# Index

# M 16

GRUPPE 1: EINZELTEILE	A 1 - D 1
GRUPPE 2: PUMPENSATZ	A 2 - G 2
GRUPPE 3: MOTOR	A 3 - B 3
GRUPPE 4: GEBLÄSE	A 4 - C 4
GRUPPE 5: BRENNSTOFFPUMPE	A 5 - B 5
GRUPPE 6: ELEKTROGERÄTESCHRANK	A 6 - B 6
GRUPPE 7: DURCHLAUFERHITZER	A 7 - C 7
GRUPPE 8: SCHWIMMVENTIL	A 8 - C 8
GRUPPE 9: SICHERHEITSBLOCK	A 9 - C 9
GRUPPE 10: ZUBEHÖR	A 10 - B 10
GRUPPE 11: INSTRUMENTENTAFEL	A 11 - C 11

GROUP 1: COMPONENT PARTS	A 1 - D 1
GROUP 2: PUMP UNIT	A 2 - G 2
GROUP 3: MOTOR	A 3 - B 3
GROUP 4: GEBLÄSE	A 4 - C 4
GROUP 5: FUEL PUMP	A 5 - B 5
GROUP 6: ELECTRICAL CABINET	A 6 - B 6
GROUP 7: CONTINUOUS FLOW BOILER	A 7 - C 7
GROUP 8: FLOAT VALVE	A 8 - C 8
GROUP 9: SAFETY SYSTEM	A 9 - C 9
GROUP 10: Accessoires	A 10 - B 10
GROUP 11: CONTROL PANEL	A 11 - C 11

GROUPE 1: PIÈCES DÉTACHÉES	A 1 - D 1
GROUPE 2: MOTO-POMPE	A 2 - G 2
GROUPE 3: MOTEUR	A 3 - B 3
GROUPE 4: ENSEMBLE MÉCANIQUE	A 4 - C 4
GROUPE 5: POMPE À COMBUSTIBLE	A 5 - B 5
GROUPE 6: COFFRET ÉLECTRIQUE	A 6 - B 6
GROUPE 7: CHAUDIÈRE À CIRCULATION FORCÉE	A 7 - C 7
GROUPE 8: BAC À FLOTTEUR	A 8 - C 8
GROUPE 9: BLOC DE SÉCURITÉ	A 9 - C 9
GROUPE 10: ACCESSOIRES	A 10 - B 10
GROUPE 11: TABLEAU DE COMMANDES	A 11 - C 11