



KÄRCHER

A 10

HDS 700 C

Gruppe 10: Zubehör

Group 10: Accessories

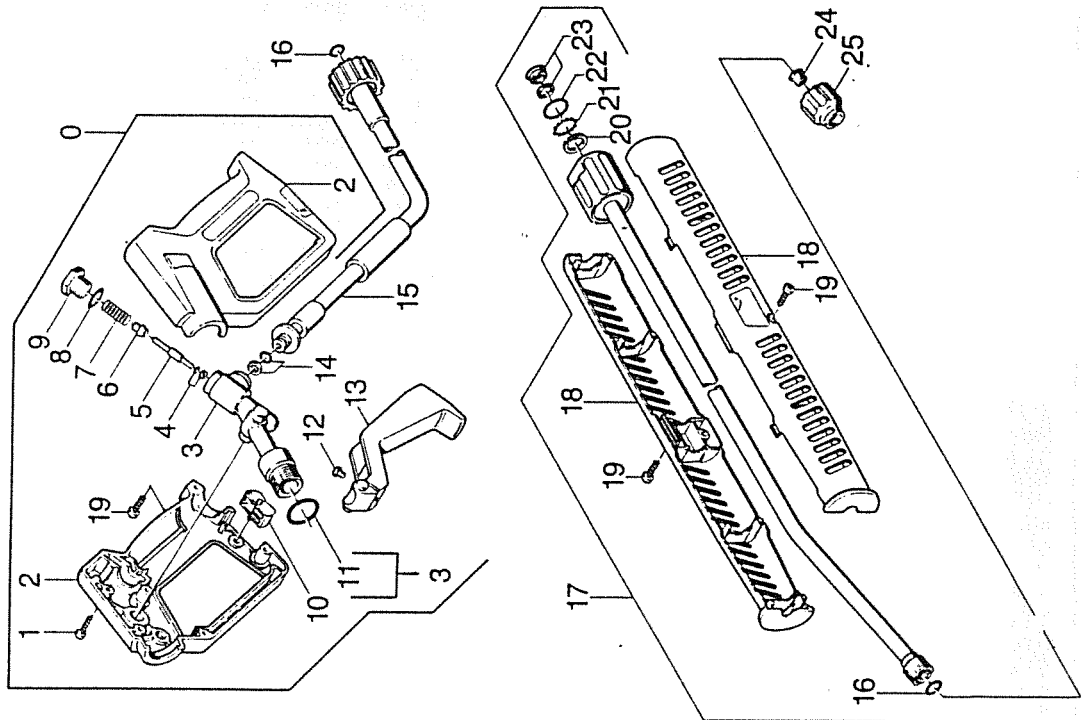
Groupe 10: Accessoires

Gruppe 10: Zubehör
 Group 10: Accessories
 Groupe 10: Accessoires

B 10

HDS 700 C

Pos. Benennung Item Description Pos. Designation	Teile-Nr. Part-No. No. piece	Stück Qty. Nbr.
0 E-Handspritzpistole/ Trigger Gun/ Poignee-Pistolet	4.775-080.0	1
1 Schraube 4,2x22/ Screw 4,2 X 22/ Vis 4,2 X 22	6.303-024.0	5
2 Griffpaar/ Grip Pair/ Paire de Poignees	5.321-230.0	1
3 Knotenstueck/ Strut Attach. Fitt./ Ferrure Nodale	4.427-131.0	1
4 O-Ring Kompl./ O-Ring Complete/ Joint Torique Comp.	6.362-571.0	1
5 Stange/ Rod/ Perche	5.107-097.0	1
6 Ventilteller/ Valve Head/ Tete de Soupape	5.582-084.0	1
7 Schraubenfeder/ Coil Spring/ Ressort A Boudin	5.332-157.0	1
8 O-Ring 12,42x1,78/ O-Ring/ Joint Torique	6.362-584.0	1
9 Verschluss-Schraube/ Screw Plug/ Vis de Fermeture	5.411-067.0	1
10 Hebel/ Lever/ Levier	5.481-052.0	1
11 O-Ring 17,12x262/ O-Ring/ Joint Torique	6.362-496.0	1
12 Zapfen/ Trunnion/ Tourillon	5.108-097.0	1
13 Hebel/ Lever/ Levier	5.481-066.0	1
14 O-Ring Kpl./1st.-R./ O-Ring/ Joint Torique	6.362-422.0	1
15 Hd-Schlauch Mw 6/ Hp-Hose/ Tuyau Souple A Hp	6.389-706.0	1
16 Et-Set Hds 580-760/ O-Ring Set (5)/ Kits Joints (5)	2.880-296.0	1
17 Strahlrohr 1040 Lg/ Jet Tube/ Lance D'incendie	4.760-101.0	1
18 Griff/ Handle/ Poignee	5.321-150.0	2
19 Schraube 4,2x16/ Screw/ Vis	6.303-025.0	3
20 Dichtring 12x1,5/ Sealing Ring/ Bague O'etancheite	6.362-529.0	1
21 Kugel 4 O/ Ball/ Boule	7.401-921.0	12
22 O-Ring 17x1,5/ O-Ring/ Joint Torique	6.362-524.0	1

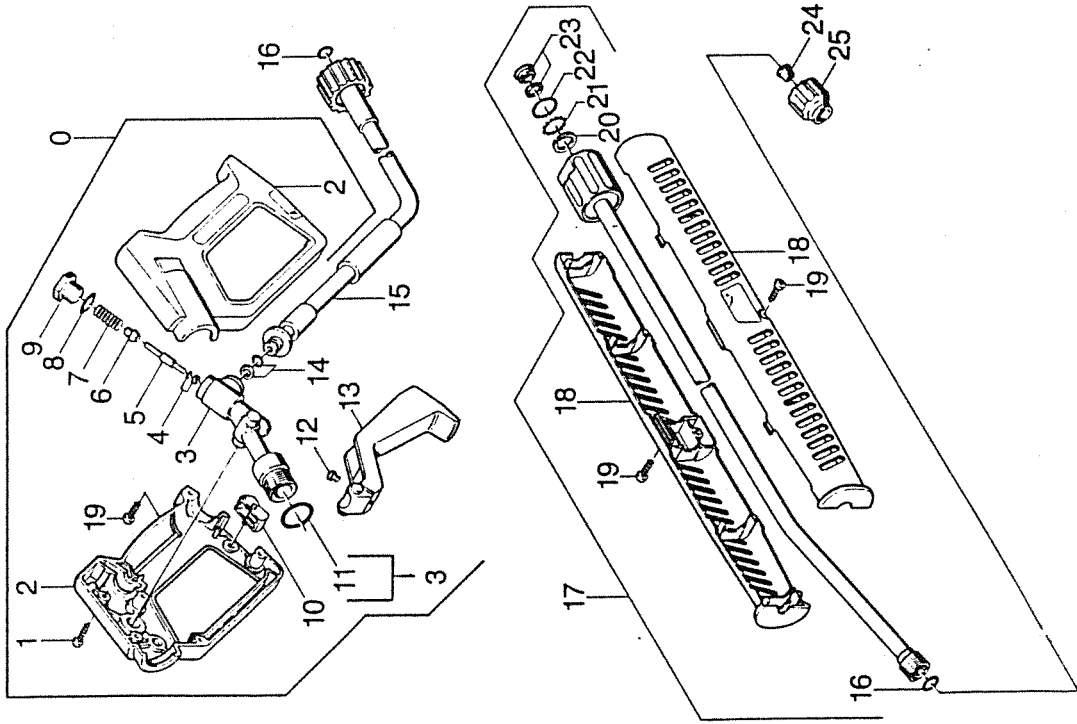


Gruppe 10: Zubehör
 Group 10: Accessories
 Groupe 10: Accessoires

C10

HDS 700 C

Pos. Item Pos.	Benennung Description Designation	Teile-Nr. Part-No. No. piece	Stück Qty. Nbr.
23	Nut-Ring Kpl. 1st.r./ Grooved Ring/ Joint En U A Levres	6.362-532.0	1
24	Dues .mundst.25g 045 / Orifice Land/ Nez de Buse	6.415-277.0	1
25	Verschraubungsteil/ Screw Fitting/ Raccord Visse	5.401-129.0	1



MIC

H 16

Telle sind im Pumpenset 2.883-090 enthalten
 Parts included in pump kit 2.883-090
 Pièces comprises dans le jeu de pièces
 de rechange pompe 2.883-090

Gruppe Group Groupe	Pos. Item Pos.	Benennung Designation Designation	Teile-Nr. Part No. No. pièces	Stck. Qty. Nbr.
2	1	O-Ring 101,27x2,62 / O-ring / Joint torique	6.362-613	1
	3	Nutring 18x26x6/8 / Grooved ring / Joint en u a levers	6.365-334	3
	5	Dichtung 18x28x6 / Seal / Joint	6.365-332	3
	7	O-Ring 33,05x1,78 / O-ring / Joint torique	6.362-406	3
	8	Scheibe / Disk / Disque	5.115-431	3
	9	Nutring 18x26x5,5 / Grooved ring / Joint en u a levers	6.365-333	3
	15	O-Ring 17,3x2,4 / O-ring / Joint torique	6.362-160	3
	16	Ventil komplett / Valve compl. Soupape compl.	4.580-157	6
	20	O-Ring 12x2 / O-ring / Joint torique	6.362-169	1
	25	O-Ring 9x1,5 / O-ring / Joint torique	6.362-384	3
	26	O-Ring 60x2 / O-ring / Joint torique	6.362-204	1
	35	O-Ring 10x1,5 / O-ring / Joint torique	6.362-482	1
	37	O-Ring 11x1,3 7 O-ring / Joint torique	6.362-402	1
	40	O-Ring kompl. / O-ring compl./ Joint torique compl.	6.362-477	1
	42	O-Ring kompl. / O-ring compl. / Joint torique compl.	6.362-602	1

M 16

GRUPPE 1: EINZELTEILE A 1 - D 1
GRUPPE 2: PUMPENSATZ A 2 - D 2
GRUPPE 3: MOTOR A 3 - C 3
GRUPPE 4: GEBLÄSE A 4 - C 4
GRUPPE 5: BRENNSTOFFPUMPE A 5 - B 5
GRUPPE 6: ELEKTROGERÄTESCHRANK A 6 - D 6
GRUPPE 7: DURCHLAUFERHITZER A 7 - C 7
GRUPPE 8: SCHWIMMVENTIL A 8 - C 8
GRUPPE 9: SICHERHEITSBLOCK A 9 - C 9
GRUPPE 10: ZUBEHÖR A 10 - C 10

GROUP 1: COMPONENT PARTS A 1 - D 1
GROUP 2: PUMP UNIT A 2 - D 2
GROUP 3: MOTOR A 3 - C 3
GROUP 4: BLOWER A 4 - C 4
GROUP 5: FUEL PUMP A 5 - B 5
GROUP 6: ELECTRICAL CABINET A 6 - D 6
GROUP 7: CONTINUOUS FLOW BOILER A 7 - C 7
GROUP 8: FLOAT VALVE A 8 - C 8
GROUP 9: SAFETY SYSTEM A 9 - C 9
GROUP 10: ACCESSORIES A 10 - C 10

GROUPE 1: PIÈCES DÉTACHÉES A 1 - D 1
GROUPE 2: MOTO-POMPE A 2 - D 2
GROUPE 3: MOTEUR A 3 - C 3
GROUPE 4: ENSEMBLE MÉCANIQUE A 4 - C 4
GROUPE 5: POMPE À COMBUSTIBLE A 5 - B 5
GROUPE 6: COFFRETTÉ ÉLECTRIQUE A 6 - D 6
GROUPE 7: CHAUDIÈRE À CIRCULATION FORCÉE A 7 - C 7
GROUPE 8: COFFRE DU FLOTTEUR A 8 - C 8
GROUPE 9: BLOC DE SÉCURITÉ A 9 - C 9
GROUPE 10: ACCESSORIES A 10 - C 10



KÄRCHER

A 1

HDS 700 C

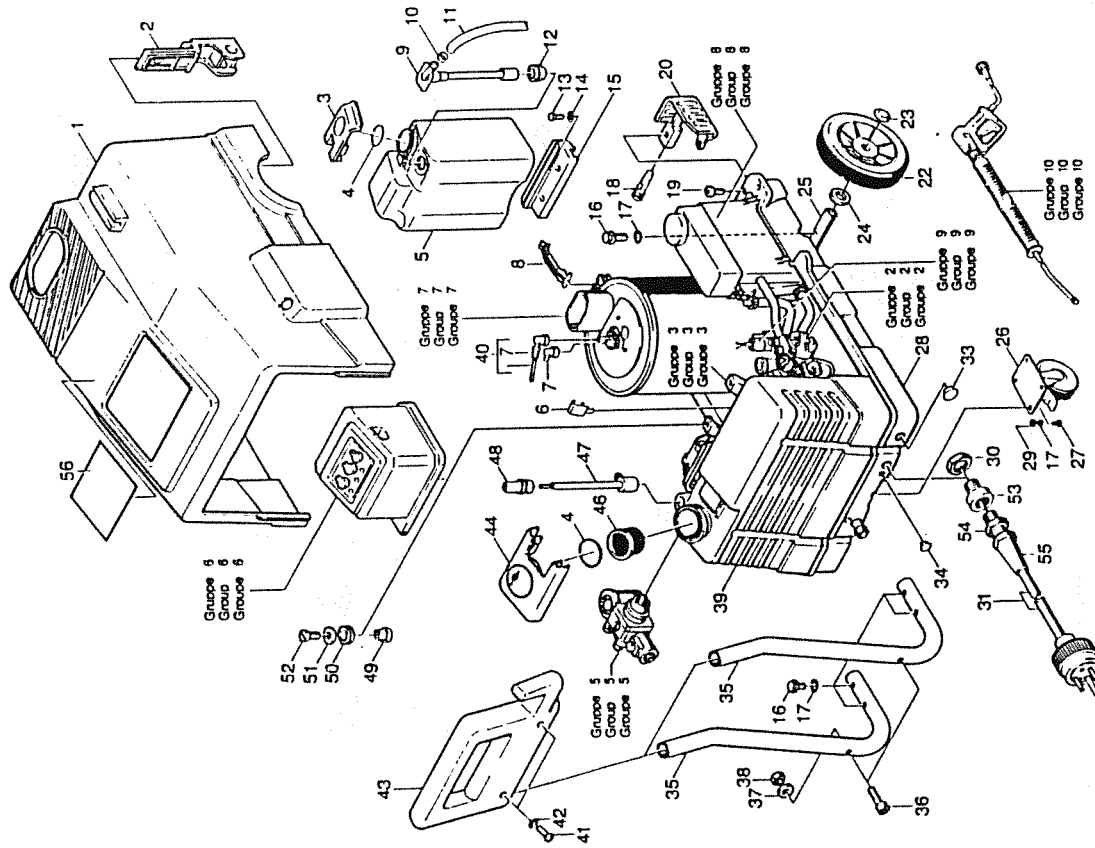
Gruppe 1: Einzelteile
Group 1: Component Parts
Groupe 1: Pièces détachées

Gruppe 1: Einzelteile
 Group 1: Component Parts
 Groupe 1: Pièces détachées

B1

HDS 700 C

Pos. Item Pos.	Benennung Description Designation	Teil-Nr. Part-No. No. piece	Stück Qty. Nbr.
1	Haube/ Cap/ Capot	5.066-292.0	1
2	Halter/ Support/ Appui	5.042-462.0	2
3	Oeckel/ Cover/ Couvercle	5.063-360.0	1
4	O-Ring 50 X 4 / O-Ring/ Joint Torique	6.362-635.0	2
5	Tank Chem/ Tank/ Reservoir	5.071-038.0	1
6	Halter/ Support/ Appui	5.042-464.0	2
7	Kerzenstecker/ Terminal/ Anti-Parasite	6.618-081.0	2
8	Halter/ Support/ Appui	5.042-463.0	1
9	Filter/ Filter/ Filtre	6.414-028.0	1
10	Schlauchschele/ Hose Band Clip/ Collier de Serrage	6.388-559.0	2
11	Schlauch Mw 7/ Flexible Tube/ Tuyau Flexible	6.388-225.0	3 m
12	Profildichtung/ Profile Seal/ Joint Profilee	5.365-147.0	1
13	Schneidschr. M6x20/ Self Taapping Screw/ Vis Autotaraudeuse	6.303-105.0	2
14	Scheibe A 6,4/ Disk/ Disque	7.312-291.0	2
15	Auflager/ Support/ Appui	5.057-040.0	1
16	Schneidschr. M8x16/ Self-Tapping Screw/ Vis Autotaraudeuse	6.303-031.0	6
17	Zahnscheibe A 8,4/ Crown Gear/ Roue Plate.	7.312-166.0	10
18	Bolzen/ Pin/ Axe	5.316-240.0	2
19	B1.schr. St 4,8x19/ Sheet Metal Screw/ Vis A Tole	6.303-099.0	4
20	Griff Rechts/ Handle right / Poignee	5.321-278.0	1
20	Griff Links/ Handle (Left)/ Poignee (Gauche)	5.321-280.0	1
22	Schnellbefestig. 25 / Lock Washer/ Rondelle D Arret	6.343-137.0	2
23	Rad/ Wheel/ Roue	6.435-072.0	2



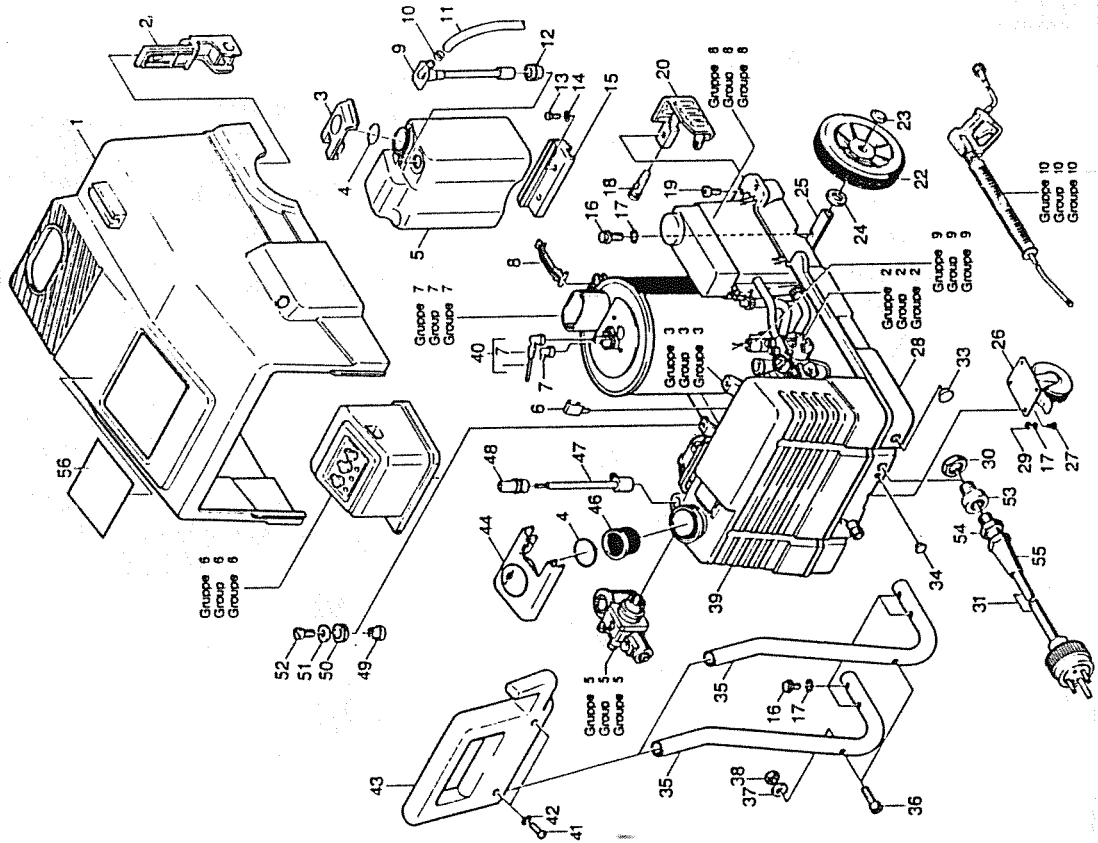
1 857-8-17

C1

Gruppe 1: Einzelteile
 Group 1: Component Parts
 Groupe 1: Pièces détachées

HDS 700 C

Pos. Item Pos.	Benennung Description Designation	Teile-Nr. Part-No. No. piece	Stück Qty. Nbr.
24	Hueelse/ Pod/ Douille	5.110-358.0	2
25	Achse/ Wheel Shaft/ Essieu	5.105-086.0	1
26	Lenkrolle/ Castor/ Roue Pivotante	6.435-116.0	1
27	6kt-Schraube M8x16/ Hex. Head Cap Screw/ Boulon A Six Pans	7.304-395.0	4
28	Rahmen/ Frame/ Cadre	5.050-032.0	1
29	6kt-Mutter M 8/ Hexagon Nut/ Ecroû Hex.	7.311-004.0	4
30	Gegenmutter Pg13.5/ Counternut/ Contre-Ecroû	6.641-480.0	1
31	Kabel mit Stecker / Cable with plug /Cable avec fiche	6.641-593.0	1
33	Abdeckkappe/ Cap Cover/ Chape	6.368-127.0	1
35	Griff/ Handle/ Poignee	5.321-239.0	2
36	Zyl.schr. M 6x 45/ Cheese Head Screw/ Vis A Tete Cylind.	7.306-514.0	2
37	Scheibe R6,6/ Disk/ Disque	7.312-260.0	2
38	6kt-Mutter M 6/ Hexagon Nut / Ecroû Hex.	7.311-512.0	2
39	Tank (Brennstoff)/ Tank/ Reservoir	5.071-040.0	1
40	Zuendkabel/ Ignition Cable/ Cable D allumage	4.821-020.0	2
41	Schneidschr. M6x20/ Self Taapping Screw/ Vis Autotaraudeuse	6.303-105.0	2
42	Scheibe A 6,4/ Disk/ Disque	7.312-291.0	2
43	Griff/ Handle/ Poignee	5.321-238.0	1
44	Deckel/ Cover/ Covercle	5.063-326.0	1
46	Sieb/ Strainer/ Passoir	6.414-340.0	1
47	Niveaufuehler/ Level Switch/ Contacteur de Niveau	4.747-042.0	1
48	Profillichtung/ Profile Seal/ Joint Profilee	5.365-149.0	1

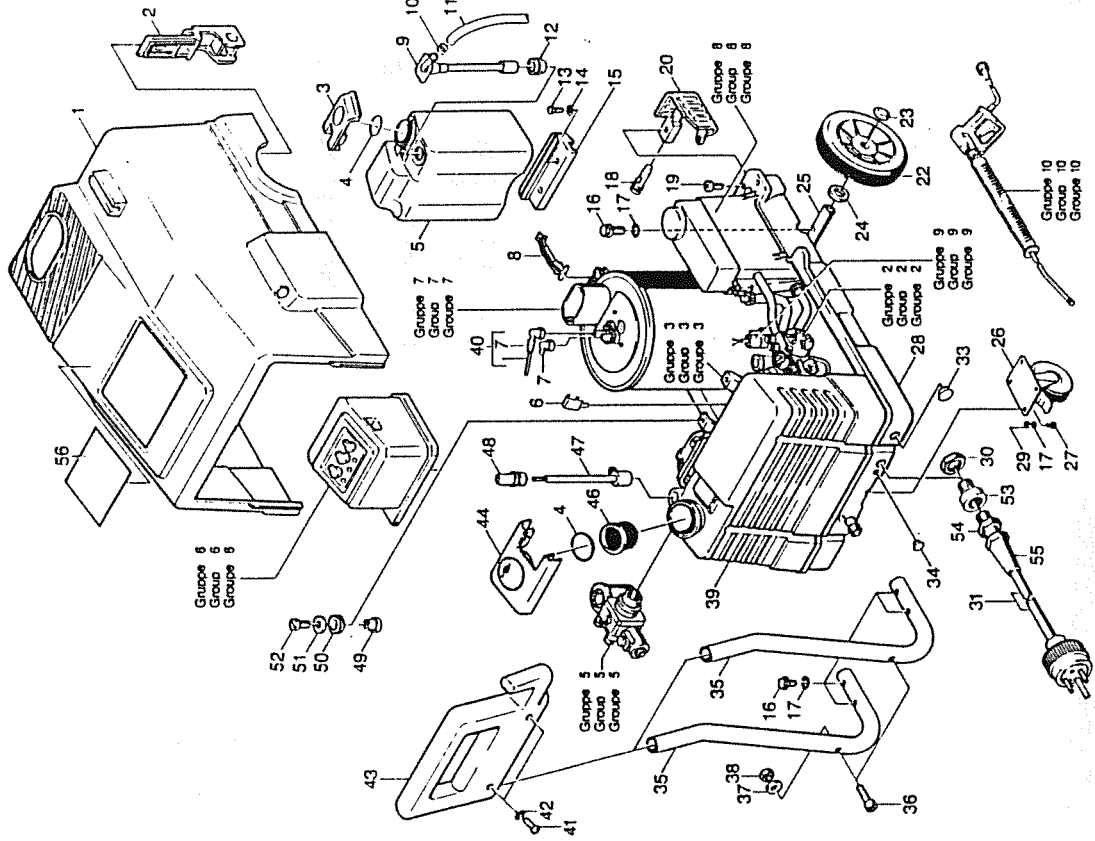


Gruppe 1: Einzelteile
 Group 1: Component Parts
 Groupe 1: Pièces détachées

D1

HDS 700 C

Pos. Item Pos.	Benennung Description Designation	Teile-Nr. Part-No. No. piece	Stück Qty. Nbr.
49	Hülse/ Pod/ Douille	5.110-357.0	4
50	Gummiring/ Rubber Gasket/ Rondell Caoutchouc	5.379-013.0	4
51	Scheibe R5,5/ Washer/ Rondelle	7.312-264.0	4
52	Linsenschrb. M5x25/ Oval Head Screw/ Vis A tete Bombée	6.303-086.0	4
53	Erweiterungsstück Pg 13,5 / Pg 16 / Enlargement piece/ Picee d'elargissement	6.641-394.0	1
54	Halbverschraubung Pg 16 / Half round screw connection / Raccord	6.641-395.0	1
55	Tülle / Socket / Douille	6.641-396.0	1
56	Kurzbedienungsanleitung / Shield / Plaque	5.388-681.0	1





KÄRCHER

A 2

HDS 700 C

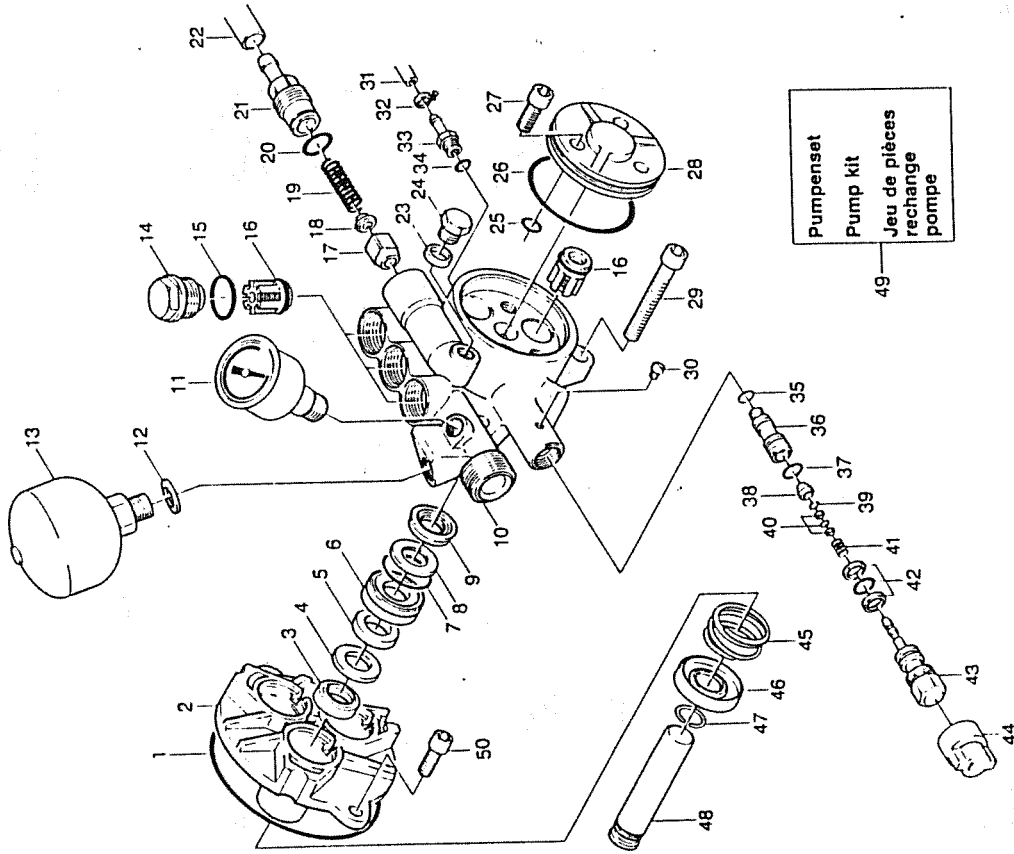
Gruppe 2: Pumpensatz
Group 2: Pump Unit
Groupe 2: Moto-pompe

Gruppe 2: Pumpensatz
 Group 2: Pump Unit
 Groupe 2: Moto-pompe

B 2

HDS 700 C

Pos.	Benennung Item Description Pos. Designation	Teile-Nr. Part-No. No. piece	Stück Qty. Nbr.
1	O-Ring 101,27x 2,62/ O-Ring/ Joint Torique	6.362-613.0	1
2	Gehäuse/ Housing/ Boitier	5.060-326.0	1
3	Nutring 18x26x6/8/ Grooved Ring/ Joint En U A Levres	6.365-334.0	3
4	Scheibe/ Disk/ Disque	5.115-432.0	3
5	Kompaktdich.18x28x6/ Seal/ Joint	6.365-332.0	3
6	Buchse/ Bush/ Boite	5.112-340.0	3
7	O-Ring/ O-Ring/ Joint Torique	6.362-406.0	3
8	Scheibe/ Disk/ Disque	5.115-431.0	3
9	Nutring 18x26x5,5/ Grooved Ring/ Joint En U A Levres	6.365-333.0	3
10	Zylinderkopf Kompl./ Cylinder Head/ Culasse de Cylindre	4.550-114.0	1
11	Manometer 0-160 Bar/ Manometer/ Manometre	6.421-145.0	1
12	Dichtring A 14x18/ Joint Ring/ Anneau D'etancheite	7.362-005.0	1
13	Druckspeicher/ Pulsation Damper/ Accumul. de Press.	6.505-025.0	1
14	Ventilschraube/ Valve Screw/ Vis de Soupape	5.583-053.0	3
15	O-Ring 17,3x2,4/ O-Ring/ Joint Torique	6.362-160.0	3
16	Ventil Kpl./ Valve Compl./ Soupape Compl.	4.580-157.0	6
17	Ventilteller Kompl/ Valve Head/ Tete de Soupape	4.582-007.0	1
18	Ventilbolzen/ Valve Pin/ Stiege de Soupape	5.584-060.0	1
19	Schraubenfeder/ Coil Spring/ Ressort A Boudin	5.332-140.0	1
20	O-Ring 12,0x2,0/ O-Ring/ Joint Torique	6.362-169.0	1
21	Ventilschraube/ Valve Screw/ Vis de Soupape	5.583-107.0	1
22	Schlauch 8d X 2/ Flexible Tube/ Tuyau	6.388-260.0	1 m
23	Dichtring A10x13,5/ Joint Ring/ Anneau D'etancheite	7.362-003.0	1



1857-02 02 103

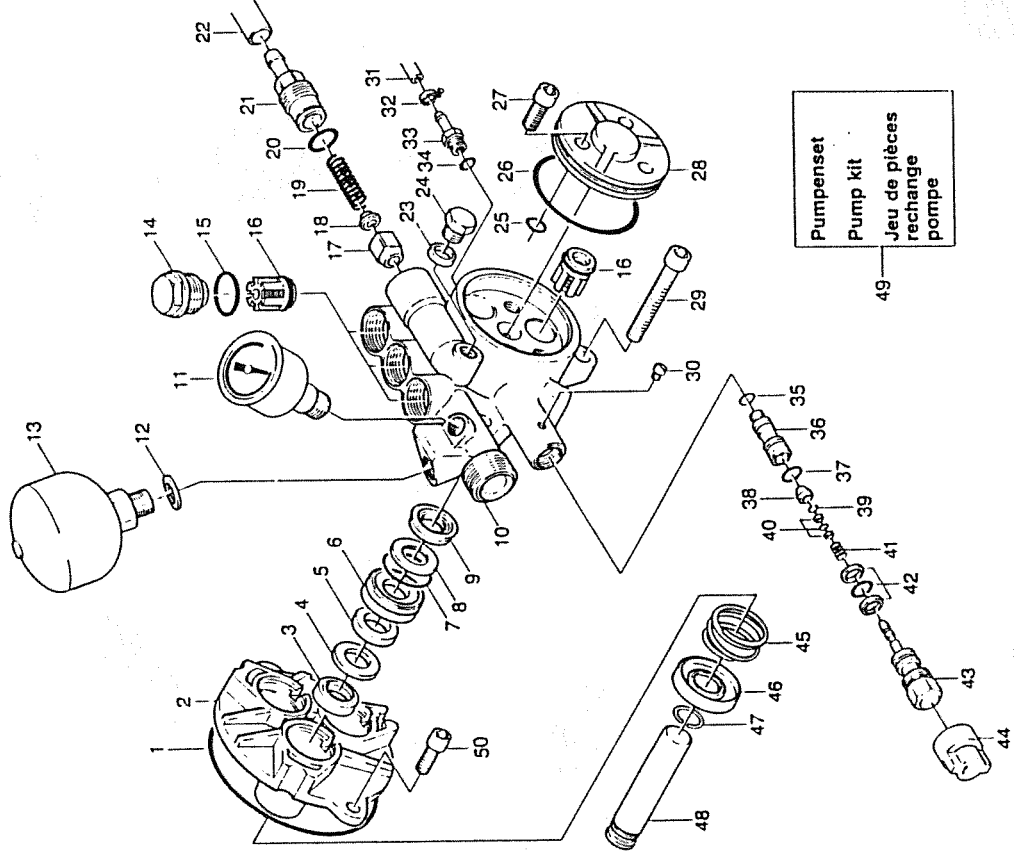
Gruppe 2: Pumpensatz
 Group 2: Pump Unit
 Groupe 2: Moto-pompe

C 2

HDS 700 C

Pos.	Benennung Item Description Pos. Designation	Teile-Nr. Part-No. No. piece	Stück Qty. Nbr.
------	---	------------------------------------	-----------------------

24	Vs-Schraube M10x1/ Screw / Boucjon Filete	7.382-085.0	1
25	O-Ring 9x1,5/ O-Ring/ Joint Torique	6.362-384.0	3
25	O-Ring 60x2/ O-Ring/ Joint Torique	6.362-204.0	1
27	Zyl.schr. M8x20/ Cheese Head Screw/ Vis A Tete Cylindr.	6.304-038.0	3
28	Deckel/ Cover/ Couvercle	5.063-354.0	1
29	Zyl.schr. M10x 70/ Cheese Head Screw/ Vis A Tete Cylindr.	7.306-125.0	3
30	Linsensch. M 4x6/ Screw/ Vis	7.306-323.0	1
31	Schlauch Mw7/ Flexible Tube/ Tuyau Flexible	6.388-194.0	2 m
32	Schlauchschelel2/9/ Hose Band Clip/ Collier de Serrage	6.388-515.0	1
33	Ventil/ Valve/ Soupape	4.580-114.0	1
34	O-Ring 15x2/ O-Ring/ Joint Torique	6.362-427.0	1
35	O-Ring/ O-Ring/ Joint Torique	6.362-482.0	1
36	Huelse/ Pod/ Douille	5.110-404.0	1
37	O-Ring 11x1,3/ O-Ring/ Joint Torique	6.362-402.0	1
38	Huelse/ Pod/ Douille	5.110-367.0	1
39	Sprengring A 6/ Sealing Ring/ Circlip	6.343-143.0	1
40	O-Ring Kompl./ O-Ring Compl./ Joint Torique Compl	6.362-477.0	1
41	Schraubenfeder/ Coil Spring/ Ressort A Boudin	5.332-110.0	1
42	O-Ring Kompl. 1st/ O-Ring Compl./ Joint Torique Compl	6.362-602.0	1
43	Spindel/ Spindle/ Poignee	5.291-040.0	1
44	Griff/ Handle/ Poignee	5.321-263.0	1

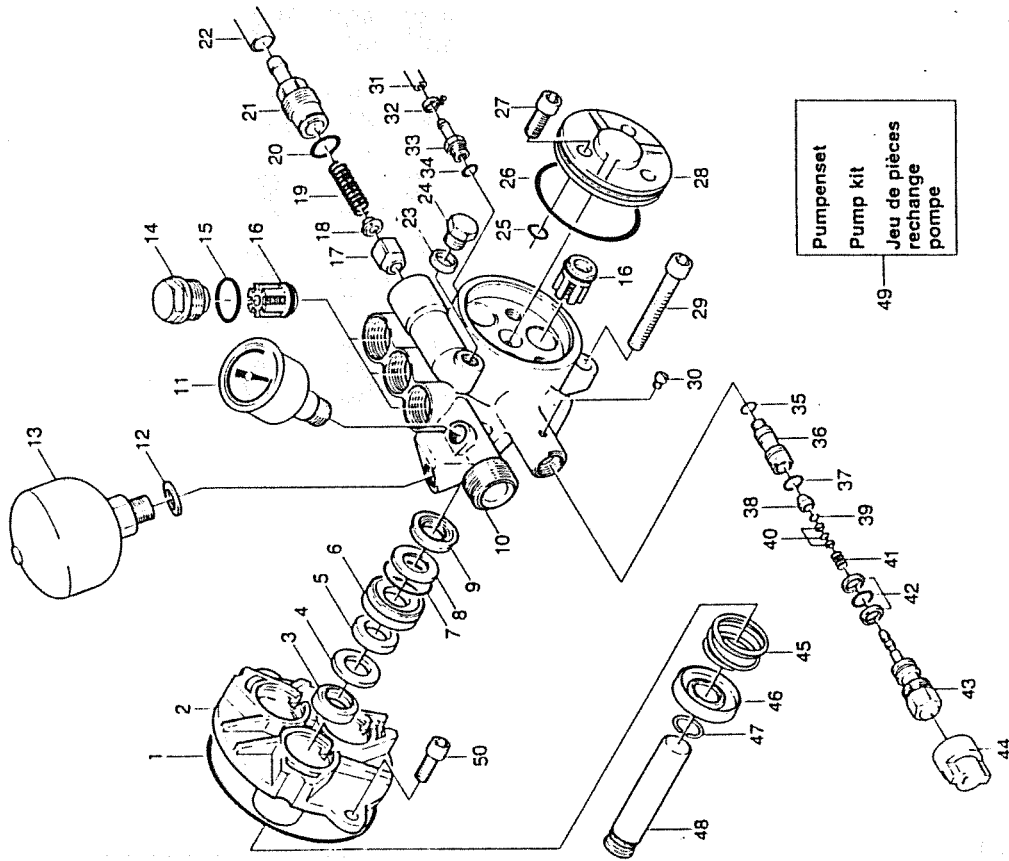


Gruppe 2: Pumpensatz
 Group 2: Pump Unit
 Groupe 2: Moto-pompe

D 2

HDS 700 C

Pos. Item Pos.	Benennung Description Designation	Teile-Nr. Part-No. No. piece	Stück Qty. Nbr.
45	Schraubenfeder/ Coil Spring/ Ressort A Boudin	5.332-139.0	3
46	Formteil/ Preform/ Preforme	5.030-602.0	3
47	Sprengring A18/ Sealing Ring/ Circlip	7.343-473.0	3
48	Kolben Kompl./ Piston (Complete)/ Piston (Complect)	5.553-228.0	3
49	Pumpenset siehe Seite 11 (Bildtafel H 16) / Pump Kit see Page 11 (Board H 16)/ Jeu de P.de Rech.p voir Page 11 (Tableau H 16)	2-883-090-0 2-883-112.0	1
50	Zyl-Schr. M6x25/ Cheese Head Screw/ Vis A Tete Cylind.	6.304-029.0	2



1.852-02.04.103



KÄRCHER

A 3

HDS 700 C

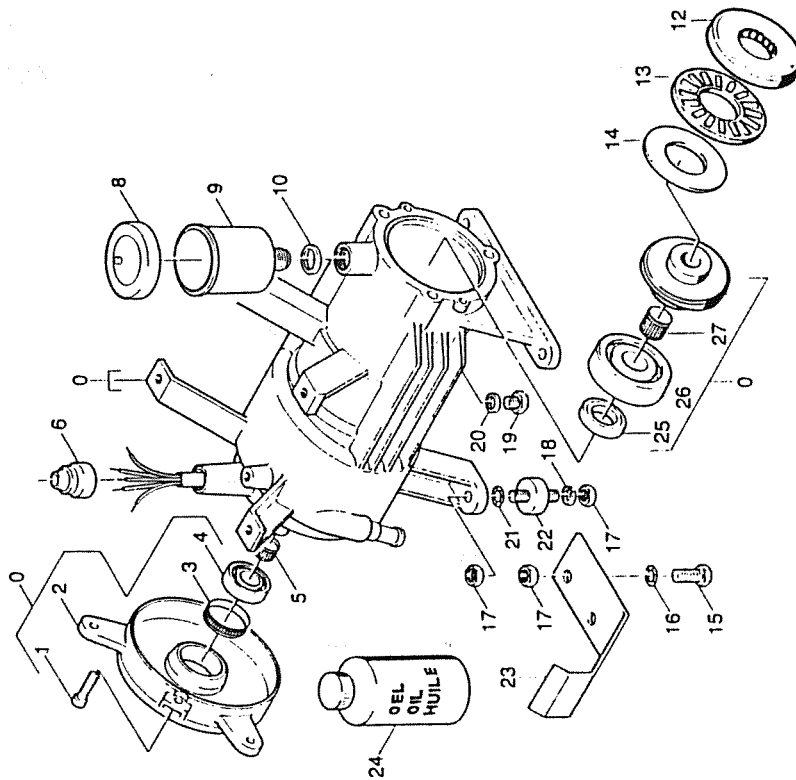
Gruppe 3: Motor
Group 3: Motor
Groupe 3: Moteur

0000 100 0

Gruppe 3: Motor
 Group 3: Motor
 Groupe 3: Moteur

B 3

HDS 700 C



Pos.	Benennung Item Description Pos. Designation	Teile-Nr. Part-No. No. piece	Stück Qty. Nbr.
0	Motor Kompl. / Motor Compl. / Moteur Compl.	4.623-115.0	1
1	Zyl.-Schr. M 6x20/ Cheese Head Screw/ Vis A Tete Cylindr.	6.304-037.0	3
2	Deckel/ Cover/ Couvercle	5.063-349.0	1
3	Toleranzring 47x8/ Tolerance Ring/ Entretoise	6.343-029.0	1
4	Kugellager 6204 2rs/ Ball Bearing/ Roulement A Billes	7.401-126.0	1
5	Toleranzring D14x8/ Tolerance Ring/ Entretoise	6.343-166.0	1
6	Profildichtung/ Profile Seal/ Joint Profilee	5.365-148.0	1
8	Deckel/ Cover/ Couvercle	5.063-237.0	1
9	Behälter/ Receptacle/ Recipient	5.070-048.0	1
10	Dichtring/ Joint Ring/ Anneau D'etancheite	5.363-100.0	1
12	Druckscheibe M.kaef/ Pressure Disk/ Disque de Pression	6.401-186.0	1
13	Axial-Rollenkaefig/ Roller Thrust Cage/ Butee A Rouleaux	6.401-187.0	1
14	Laufscheibe/ Rotor Disk/ Disque de Butee	6.401-122.0	1
15	6kt-Schraube M8x16/ Hex. Head Cap Screw/ Boulon A Six Pans	7.304-395.0	2
16	Zahnscheibe A 8,4/ Crown Gear/ Roue Plate	7.312-166.0	2
17	6kt-Mutter M 8/ Hexagon Nut/ Ecrou Hex.	7.311-004.0	10
18	Federring B 8/ Spring Washer/ Rondelle Grower	7.313-004.0	4
19	Vs.schraube M12x1,5/ Screw Plug/ Vis de Fermeture	7.382-232.0	1
20	Dichtring A 12x15 / Joint Ring/ Anneau D'etancheite	7.362-004.0	1
21	Zahnscheibe A 10,5/ Crown Gear/ Roue Plate	7.312-160.0	4
22	Gummipuffer/ Rubber Buffer/ Butoir En Caoutchou	6.339-095.0	4
23	Winkel/ Angle/ Angle	5.018-621.0	1
24	Hypoid Ø1 SAE 15 W/40 / Gear Lubricant Oil/ Huile A Engrenages	6.288-050.0	1L

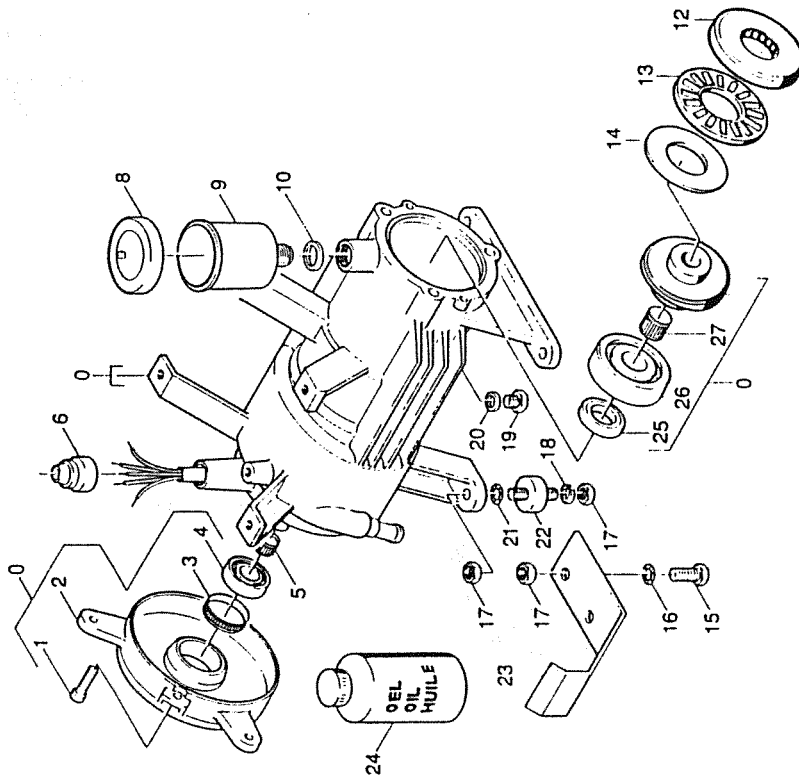
1 8.50-AR 02 103

Gruppe 3: Motor
 Group 3: Motor
 Groupe 3: Moteur

C 3

HDS 700 C

Pos. Benennung Item Description Pos. Designation	Teile-Nr. Part-No. No. piece	Stück Qty. Nbr.
25 Wellendichtring / Ring / Anneau	7.367-017.0	1
26 Kugellager / Ball bearing / Roulement a billes	7.401-035.0	1
27 Toleranzring / Ring / Anneau	6.343-024.0	1



108-108-108



KÄRCHER

A 4

HDS 700 C

Gruppe 4: Gebläse

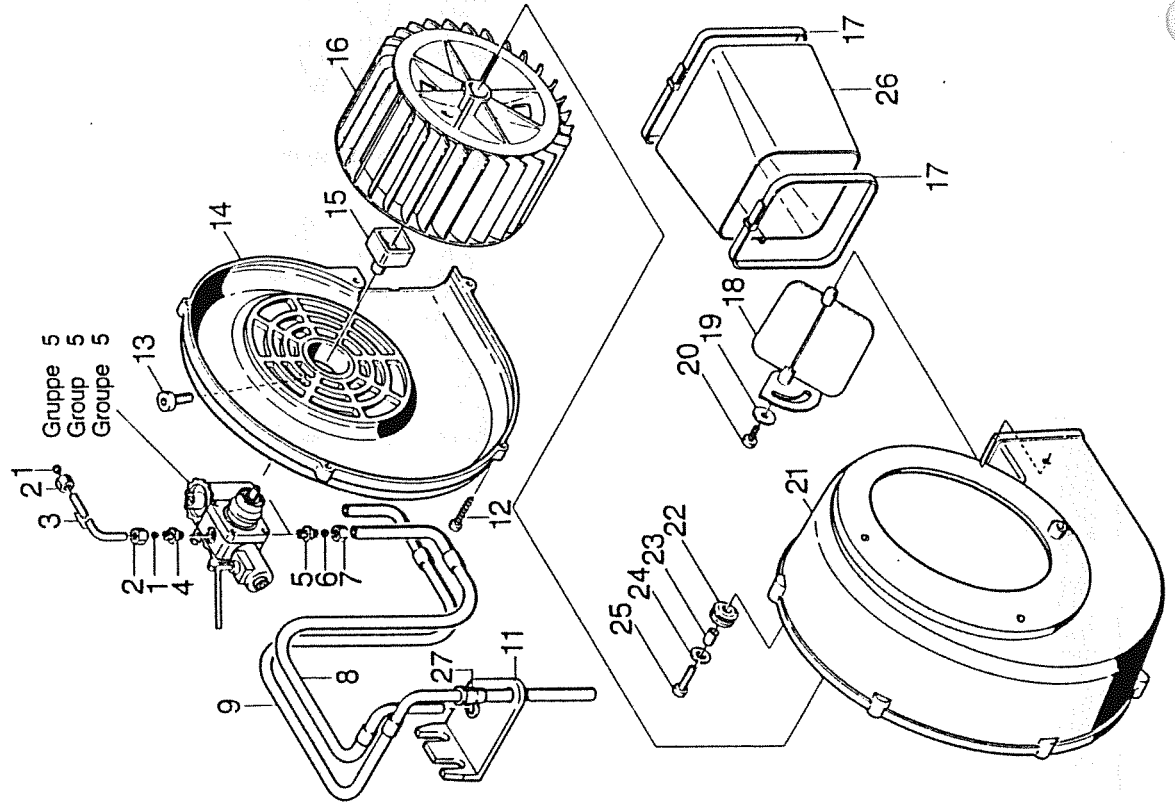
Group 4: Blower

Groupe 4: Ensemble mécanique

Gruppe 4: Gebläse
 Group 4: Blower
 Groupe 4: Ensemble mécanique

B 4

HDS 700 C



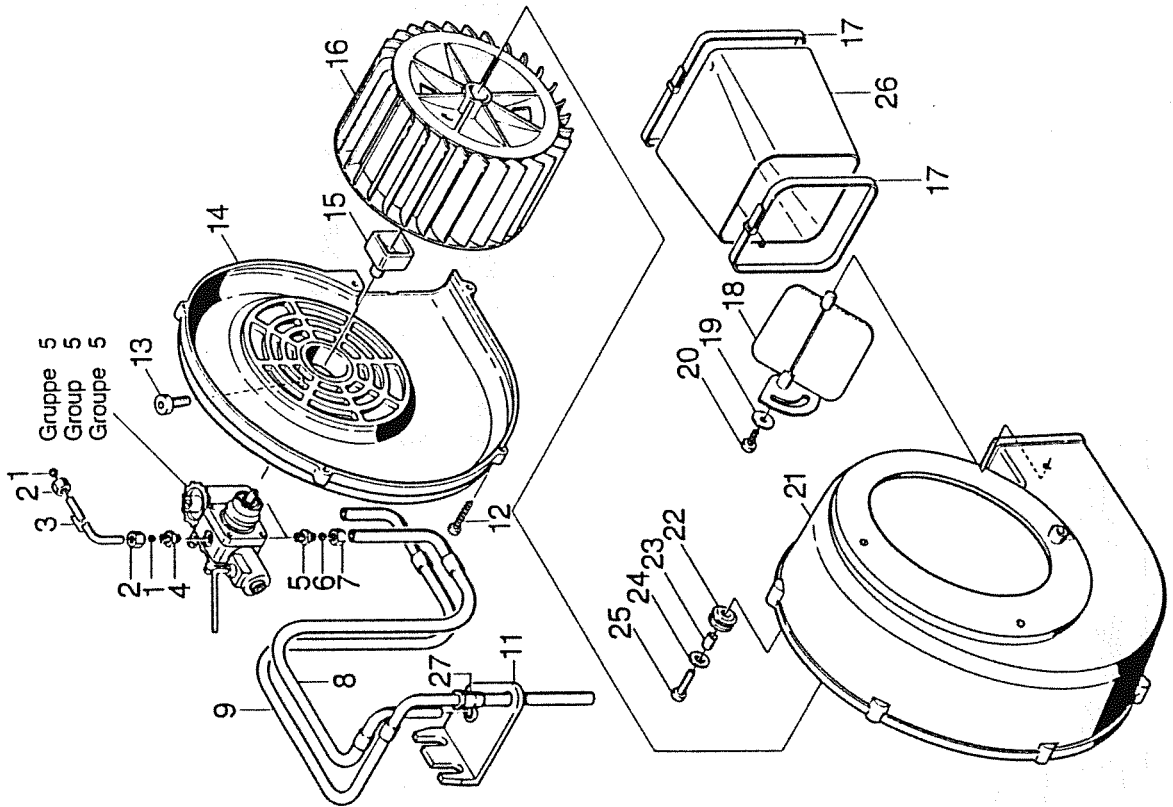
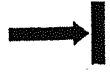
Pos. Item Pos.	Benennung Description Designation	Teile-Nr. Part-No. No. piece	Stück Qty. Mbr.
1	Schneidring D.4/ Cutting Ring/ Bague Coupante	6.389-263.0	2
2	Ueberw.-Mutter M8x1/ Male Fitting Nut/ Chapeau Ecroû	6.389-262.0	2
3	Leitungsrohr/ Pipe/ Tube	5.423-098.0	1
4	Schraubstutzen/ Screw Socket/ Manchon Filete	6.389-261.0	1
5	Schraubstutzen 1/8z/ Screw Socket/ Manchon Filete	6.386-181.0	2
6	Schneidring 6d/ Cutting Ring/ Bague Coupante	6.386-160.0	2
7	Ueberwurfmutter/ Union Nut/ Ecroû-Raccord	6.386-159.0	2
8	Schlauchleitung/ Hose Pipe/ Cond.entuy.souplies	6.389-089.0	1
9	Schlauchleitung/ Hose Pipe/ Cond.en Tuy Souples	6.389-165.0	1
11	Halter/ Support/ Appui	5.042-432.0	1
12	Schraube 4,0x25/ Screw/ Vis A Tete Cylind.	6.303-089.0	5
13	Zyl.schrb. M6x16/ Socket Head Screw/ Vis A Tete Cylindr.	6.304-018.0	1
14	Deckel/ Cover/ Couvercle	5.063-274.0	1
15	Kupplungsteil/ Coupling Piece/ Piece Dis.d'accoupl	5.471-060.0	1
16	Lauftrad/ Running Wheel/ Roue de Roulement	5.600-019.0	1
17	Spannband/ Strap Retainer/ Bande de Serrage	6.388-608.0	2
18	Luftklappe/ Air Flap/ Volet D'admis.d'air	5.606-002.0	1
19	Scheibe A 5,3/ Disk/ Disque	7.312-278.0	1
20	Bl.schr.st4,8x16/ Sheet Metal Screw/ Vis A Tole	7.303-362.0	1
21	Gehäuse/ Housing/ Boîtier	5.605-143.0	1
22	Gummiring/ Rubber Ring/ Bague En Caoutchouc	5.379-011.0	3
23	Hülse/ Sleeve/ Douille	5.110-306.0	3

Gruppe 4: Gebläse
 Group 4: Blower
 Groupe 4: Ensemble mécanique

C 4

HDS 700 C

Pos. Benennung Item Description Pos. Designation	Teile-Nr. Part-No. No. piece	Stück Qty. Nbr.
24 Scheibe R5,5/ Washer/ Rondelle	7.312-264.0	3
25 Zyl.schr. M5x20/ Cheese-Head Screw/ Vis A Tete Cylindr.	6.303-076.0	3
26 Tuchmanschette/ Cloth Collar/ Soufflet En Tissu	5.178-020.0	1
27 Profildichtung/ Profile Seal/ Joint Profilee	5.365-145.0	2



1.852-04.03.103



KÄRCHER

A 5

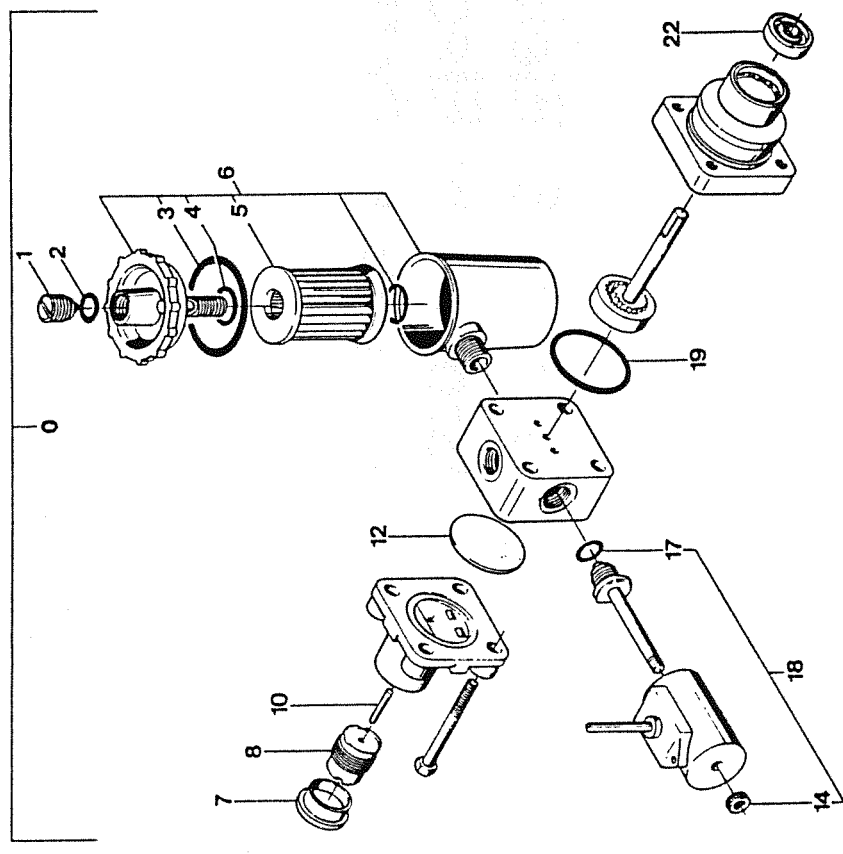
HDS 700 C

Gruppe 5: Brennstoffpumpe
Group 5: Fuel Pump
Groupe 5: Pompe à combustible

Gruppe 5: Brennstoffpumpe
 Group 5: Fuel Pump
 Groupe 5: Pompe à combustible

B 5

HDS 700 C



Pos. Item Pos.	Benennung Description Designation	Teile-Nr. Part-No. No. piece	Stück Qty. Nbr.
0	Br.-Foerderpumpe/ Fuel Pump/ Pompe A Combustible	6.472-337.0	1
1	Entlueftungsschraub/ Vent Screw/ Vis de Sortir D'air	6.472-107.0	1
2	O-Ring 5x1,8/ O-Ring/ Joint Torique	6.472-106.0	1
3	O-Ring 32x1,6/ O-Ring/ Joint Torique	6.472-111.0	1
4	O-Ring 10x2,4/ O-Ring/ Joint Torique	6.472-112.0	1
5	Filtereinsatz/ Filtr Cartridge/ Cartouche Filtrante	6.472-113.0	1
6	Filtergehäuse Kpl./ Filter Housing/ Boitier de Filtre	6.472-123.0	1
7	Schutzkappe/ Protecting Cap/ Capot Protection	6.472-122.0	1
8	Federgehäuse/ Spring Housing/ Boitier de Ressort	6.472-109.0	1
10	Stift/ Pin/ Broche Chevillle	6.472-108.0	1
12	Membran/ Membrane/ Membrane	6.472-128.0	1
14	Raendelmutter/ Knurled Nut/ Ecrou Molette	6.472-340.0	1
17	O-Ring/ O-Ring/ Joint Torique	6.472-125.0	1
18	Magnetventil Kompl./ Solenoid Valve/ Electrovanne	6.472-126.0	1
19	O-Ring 28,5x1,6/ O-Ring/ Joint Torique	6.472-120.0	1
22	Achsichtungung/ Shaft Seal/ Etoupage D'arbre	6.472-105.0	1

1.R.50.025.02.108



KÄRCHER

A 6

HDS 700 C

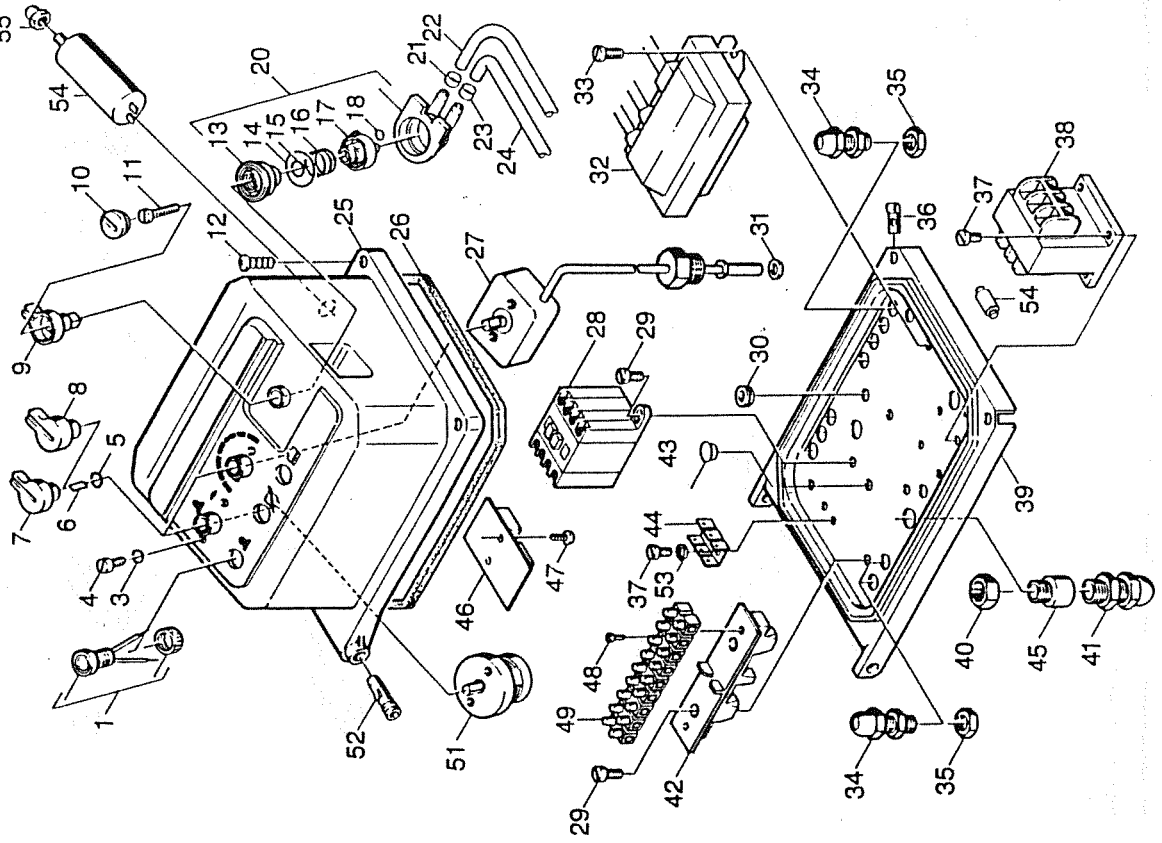
Gruppe 6: Elektrogeräteschrank
Group 6: Electrical Cabinet
Groupe 6: Coffret électrique

Gruppe 6: Elektrogeräteschrank
 Group 6: Electrical Cabinet
 Groupe 6: Coffret électrique

B 6

HDS 700 C

Pos.	Benennung Item Description Pos. Designation	Teile-Nr. Part-No. No. piece	Stück Qty. Nbr.
1	Signalleuchte Rot/ Pilot Lamp/ Lampe Temoin	6.651-234.0	3
3	Dichtring/ Joint Ring/ Anneau D Etancheite	5.363-225.0	4
4	Zyl.schr. M 4x 10/ Cylind.screw/ Vis A Screw	7.306-513.0	4
5	O-Ring 13,3x2,4/ O-Ring/ Joint Torique	6.362-078.0	2
6	Kleimfeder/ Spring/ Ressort	6.313-014.0	2
7	Griff/ Handle/ Poignee	5.321-183.0	1
8	Griff/ Handle/ Poignee	5.321-182.0	1
9	Griff/ Handle/ Poignee	5.321-279.0	1
10	Stopfen/ Plug/ Bouchon	5.132-063.0	1
11	Blechschr.-f-H 3,5x25/ Sheet Metal Screw/ Vis A Tole	7.303-053.0	1
12	B1.schr. St 4,8x19/ Sheet Metal Screw/ Vis A Tole	6.303-099.0	2
13	Deckel/ Cover/ Couvercle	5.063-353.0	1
14	O-Ring 32x2,5/ O-Ring/ Joint Torique	6.362-085.0	1
15	O-Ring 12,5 X 2,5/ O-Ring/ Joint Torique	6.362-515.0	1
16	Schraubenfeder/ Coil Spring/ Ressort A Boudin	5.332-236.0	1
17	Ventilsitz/ Valve Seat/ Siege de Soupape	5.581-121.0	1
18	O Ring 5x1,5/ O-Ring/ Joint Torique	6.362-386.0	1
20	Et-Set Chem-Ventil/ Valve Compl./ Soupape Compl.	2.883-091.0	1
21	Schlauchscheille/ Hose Band Clip/ Collier de Serrage	6.388-559.0	2
22	Schlauch Nw 7/ Flexible Tube/ Tuyau Flexible	6.388-225.0	3 m
23	Schlauchscheille 12/9/ Hose Band Clip/ Collier de Serrage	6.388-515.0	2
24	Schlauch Nw7/ Flexible Tube/ Tuyau Flexible	6.388-194.0	2 m
25	Haube/ Cap/ Capot	5.066-505.0	1



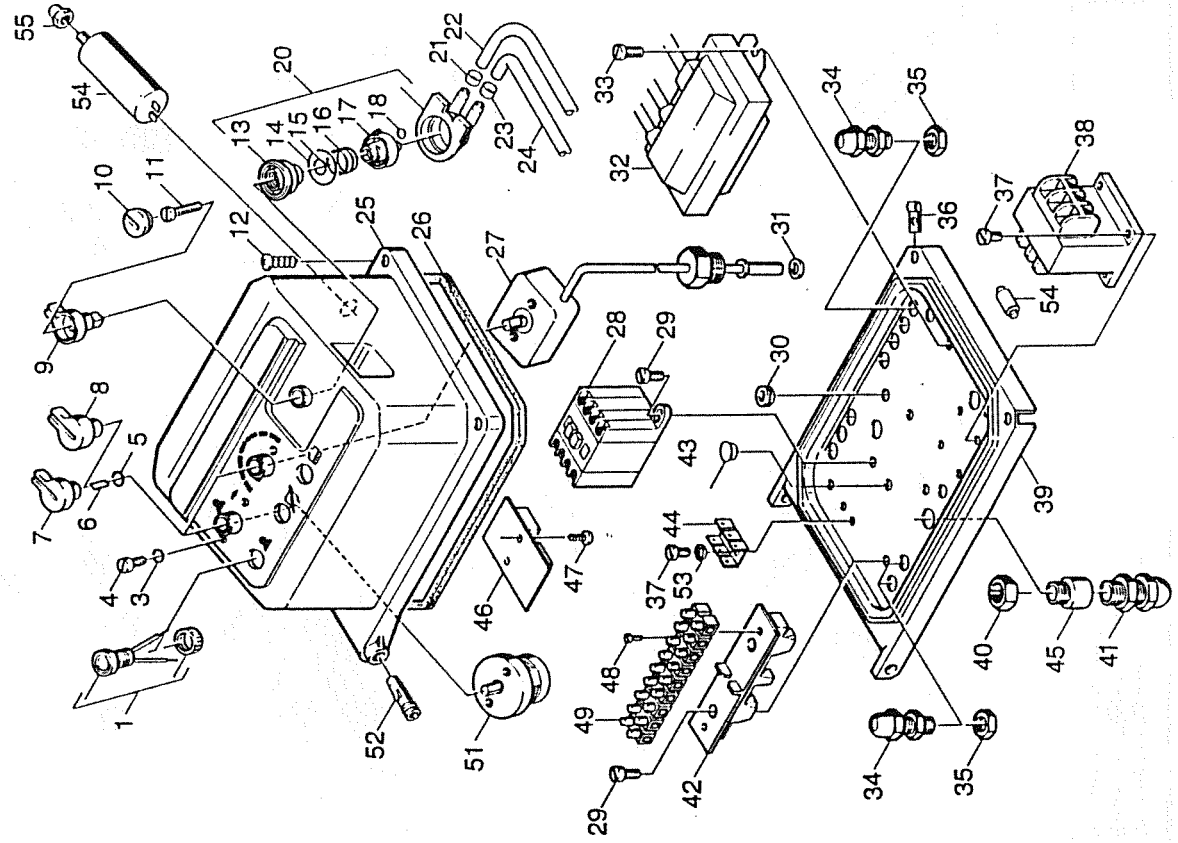
1.852-8.11

Gruppe 6: Elektrogeräteschrank
 Group 6: Electrical Cabinet
 Groupe 6: Coffret électrique

C 6

HDS 700 C

Pos. Item Pos.	Benennung Description Designation	Teile-Nr. Part-No. No. piece	Stück Qty. Nbr.
26	Moosgummischnur/ Rubber Cord/ Corden En Caoutchou	6.273-082.0	1
27	Temperaturregler/ Thermostat/ Thermostat	6.685-868.0	1
28	Schutz 24V/ Contactor 24V/ Contacteur	6.632-133.0	1
29	Schneidschr. M4x16/ Self-Tapping Screw/ Vis Autotaraudeuse	6.303-015.0	4
30	Gummiring/ Rubber Gasket/ Rondell Caoutchouc	5.379-013.0	4
31	Scheibe/ Disk/ Disque	5.115-375.0	1
32	Zuendrafo / Transformer/ Transformateur	6.622-148.0	1
33	Schneidschr. M5x8/ Self-Tapping Screw/ Vis Autotaraudeuse	6.303-004.0	2
34	Kabelversch. Pg 9/ Cable Connector/ Raccord de Cables	6.641-355.0	9
35	Gegenmutter Pg 9/ Counternut/ Contre-Ecrou	6.641-366.0	9
36	Blechmutter/ Sheet Metal Nut/ Ecrou En Tole	6.310-034.0	2
37	Schneidschr. M 4x8/ Self-Tapping Screw/ Vis Autotaraudeuse	6.303-017.0	6
38	St-Trafo 40 Va/ Transformer/ Transformateur	6.622-127.0	1
39	Montageplatte/ Mounting Plate/ Plaque de Montage	5.801-097.0	1
40	Kabelversch. Pg13,5/ Cable Connector/ Raccord de Cables	6.641-369.0	1
41	Gegenmutter Pg 16 / Counternut/ Contre-Ecrou	6.641-356.0	1
42	Auflager/ Support/ Appui	5.057-036.0	1
43	Verschluss-Stopfen/ Drain Plug/ Bonde D'evier	6.368-064.0	2
44	Flachstecker/Flat plug/ Fiche Plate	6.641-270.0	1
45	Erweiterungsstück / Enlarging piece / Piece de elargissement	6.641-394.0	1



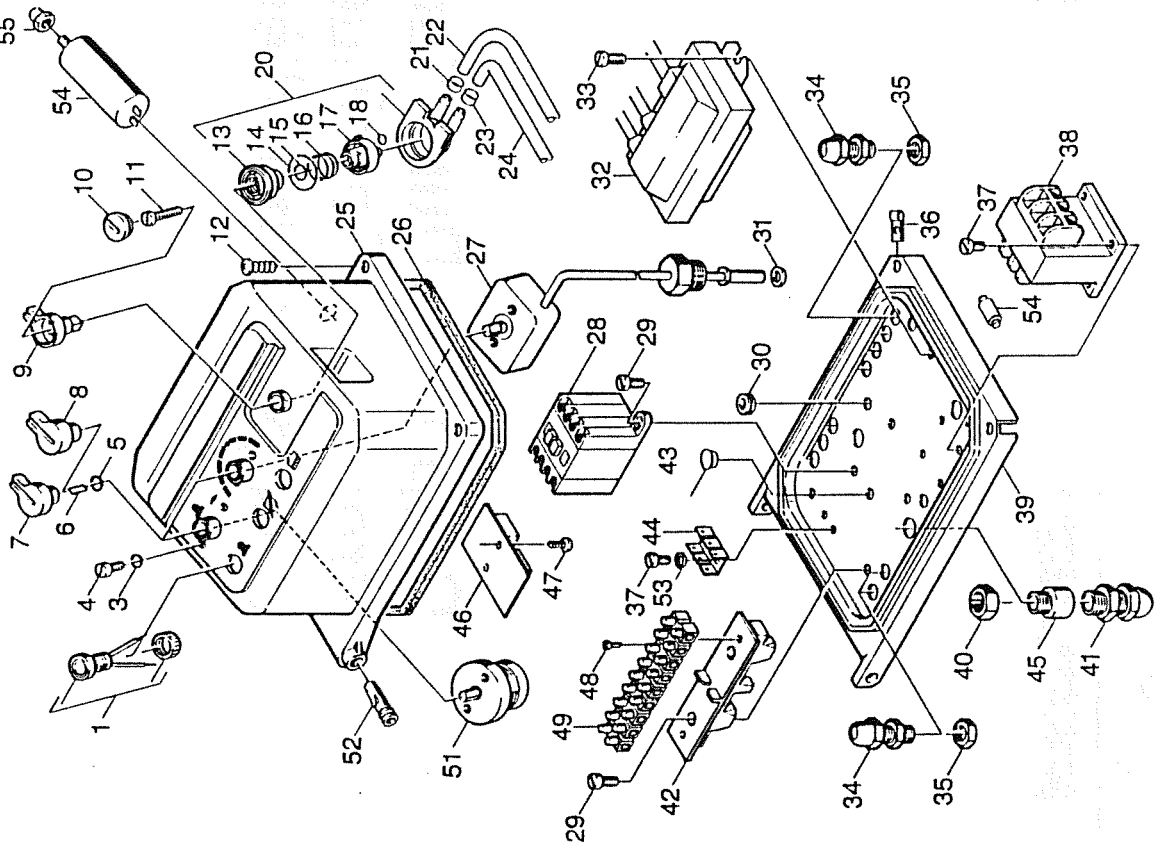
1. P. 52

Gruppe 6: Elektrogeräteschrank
 Group 6: Electrical Cabinet
 Groupe 6: Coffret électrique

D6

HDS 700 C

Pos.	Benennung Item Description Pos. Designation	Teile-Nr. Part-No. No. piece	Stück Qty. Nbr.
46	Impulsgeber/ Pulse Generator/ Contacteur	6.633-269.0	1
47	Lsk.schr. 3,5x9,5/ Screw/ Vis	6.303-022.0	2
48	Bl.schr.st3,5x19/ Sheet Metal Screw/ Vis A Tole	7.303-357.0	2
49	Klemmleiste/ Strip Terminal/ Borne Plate	6.643-249.0	1
51	Schalter/ Switch/ Interrupteur	6.631-081.0	1
52	Bolzen/ Pin/ Axe	5.316-223.0	2
53	Klemmscheibe 4 / Disk / Disque	6.641-804.0	1
54	Kondensator / Condenser / Condens	6.661-153.0	1
55	Mutter M 8 / Nut / Ecrou	7.311-337.0	1



1 R52-8-11



KÄRCHER

A 7

HDS 700 C

Gruppe 7: Durchlauferhitzer
Group 7: Continuous Flow Boiler
Groupe 7: Chaudière à circulation forcée

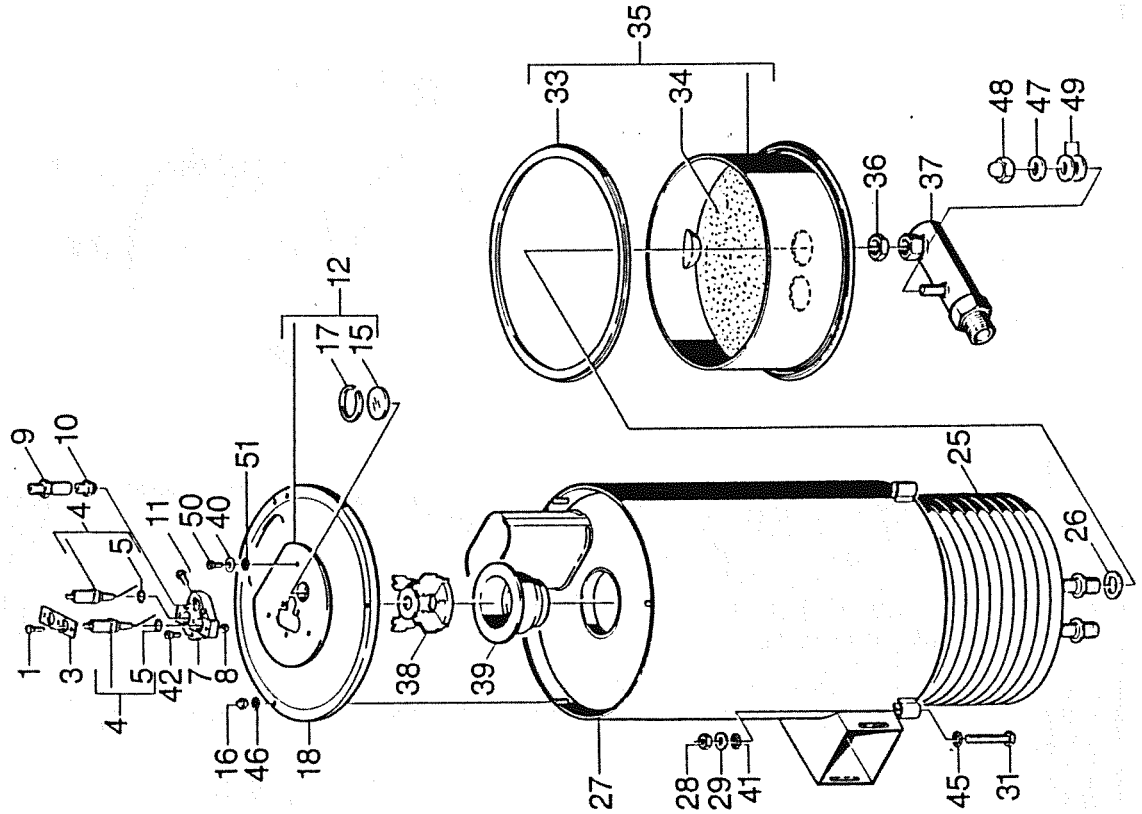
HDS 700 C

Gruppe 7: Durchlauferhitzer
 Group 7: Continuous Flow Boiler
 Groupe 7: Chaudière à circulation forcée

B 7

HDS 700 C

Pos. Item Pos.	Benennung Description Designation	Teile-Nr. Part-No. No. piece	Stück Qty. Nbr.
1	6-Kt-Schr. M 5x 16/ Hex. Screw/ Vis A'pans	7.309-017.0	3
3	Lasche/ Bracket/ Bras Support	5.004-228.0	1
4	Ers.teile Zuendelek/ Ignation Electrode/ Electrodes	2.883-083.0	1
5	Dichtring A 12x15,5/ Joint Ring/ Anneau D'etancheite	7.362-004.0	2
7	Kerzenhalter/ Spark.plug Support/ Appui Bougie D'all.	5.668-001.0	1
8	6kt-Mutter M 5/ Hexagon Nut/ Ecrou Hex.	7.311-037.0	3
9	Duesenhalter/ Nozzle Hoilder/ Porte Tuyeres	5.667-042.0	1
10	Duese/ Nozzle/ Tuyere	6.415-520.0	1
11	6kt-Schraube M5x12/ Hex. Head Cap Screw/ Boulon A Six Pans	7.304-371.0	1
12	Deckel D.k./ Cover/ Couverticle	4.654-131.0	1
15	Glasscheibe/ Glass Pane/ Vitre	6.278-018.0	1
16	Hutmutter M 6/ Cap Nut/ Ecrou Borgne	7.311-380.0	3
17	Zackenring/ Ring/ Anneau	6.343-165.0	1
18	Deckel D.k./ Cover/ Couverticle	5.654-038.0	1
25	Heizschlange/ Heating Coil/ Serpent.rechauffeur	4.680-077.0	1
26	Profildichtung/ Profile Seal/ Joint Profilee	5.365-068.0	2
27	Aussenmantel/ Outer Jacket/ Enveloppe Exterieur.	4.652-065.0	1
28	6kt-Mutter M 8/ Hexagon Nut/ Ecrou Hexagonal	7.311-510.0	3
29	Scheibe b 8,4/ Disk/ Disque	7.312-004.0	3
31	Fl.rd.schr.M 8x 55/ Screw/ Vis	7.303-165.0	3
33	Asbestschnur 8/ Asbestos Cord/ Corde En Amiante	6.366-009.0	1
34	Stampfmasse/ Refractory/ Ciment	6.286-016.0	8
35	Boden D.k./ Boiler Base Compl./ Fond de Chaudiere	4.655-044.0	1

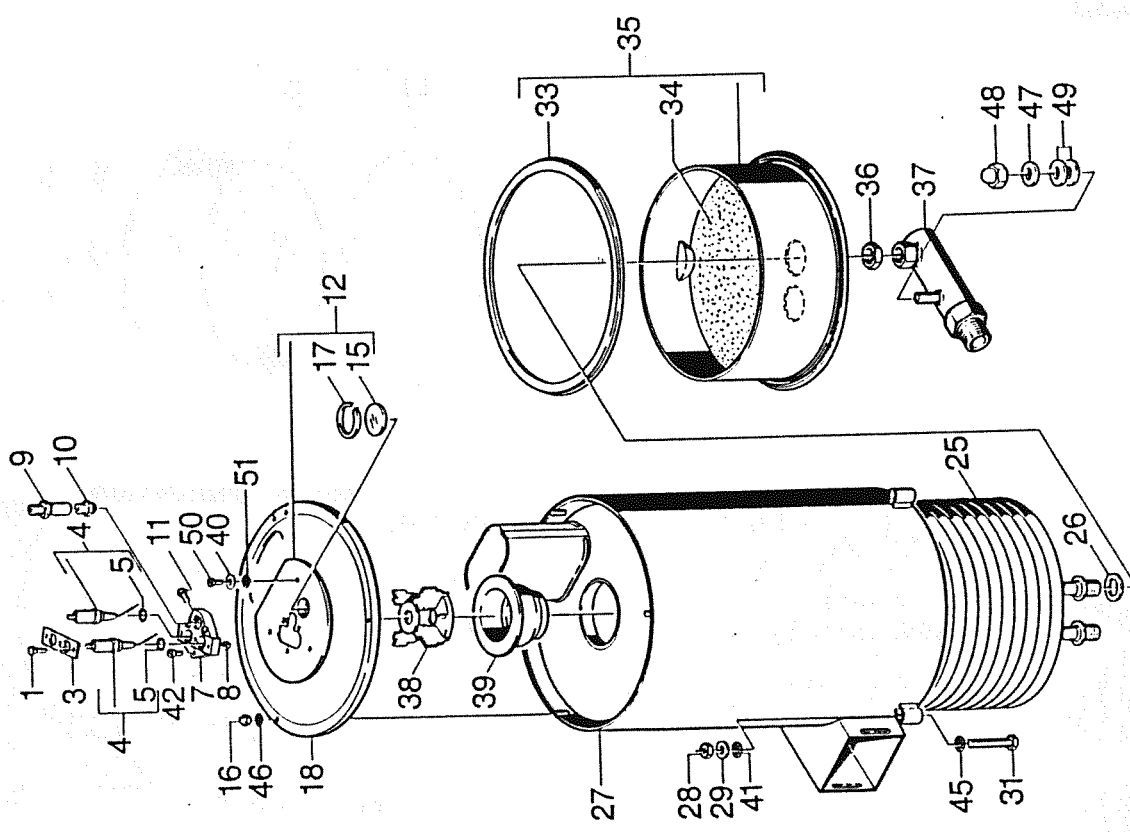


1.950-01273 11R

Gruppe 7: Durchlauferhitzer
 Group 7: Continuous Flow Boiler
 Groupe 7: Chaudière à circulation forcée

C7 HDS 700 C

Pos. Item Pos.	Benennung Description	Teile-Nr. Part-No. No. piece	Stück Qty. Nbr.
36	6kt-Mutter M22x1,5/ Hexagon Nut/ Ecrou Hex.	7.311-155.0	2
37	Knotenstueck/ Strut Attach.fitt./ Ferrure Modale	4.427-123.0	1
38	Brennereinsatz/ Use/ Emploi	4.663-073.0	1
39	Brennerteil/ Burner Part/ Piece de Bruleur	5.664-179.0	1
40	Scheibe b 5,3/ Disk/ Disque	7.312-002.0	3
41	Zahnscheibe A 8,4/ Crown Gear/ Roue Plate	7.312-166.0	3
42	Linsenschrb. M5x16/ Oval Head Screw/ Vis A Tete Bombee	6.303-087.0	3
45	Zahnscheibe A12,5/ Crown Gear/ Roue Plate	7.312-169.0	3
46	Zahnscheibe A 6,4/ Crown Gear/ Roue Plate	7.312-167.0	3
47	Unterlage/ Base/ Base	5.378-100.0	2
48	Hutmutter M 8/ Cop Nut/ Ecrou Borgne	7.311-337.0	1
49	Scheibe A 8,4/ Disc/ Disque	7.312-277.0	1
50	Schraube St4,8x19 / Screw / Vis	6.303-099.0	3
51	Scheibe A 5,3 / Disk / Disque	7.312-172.0	1



1059-700 C



KÄRCHER

A 8

HDS 700 C

Gruppe 8: Schwimmerventil

Group 8: Float Valve

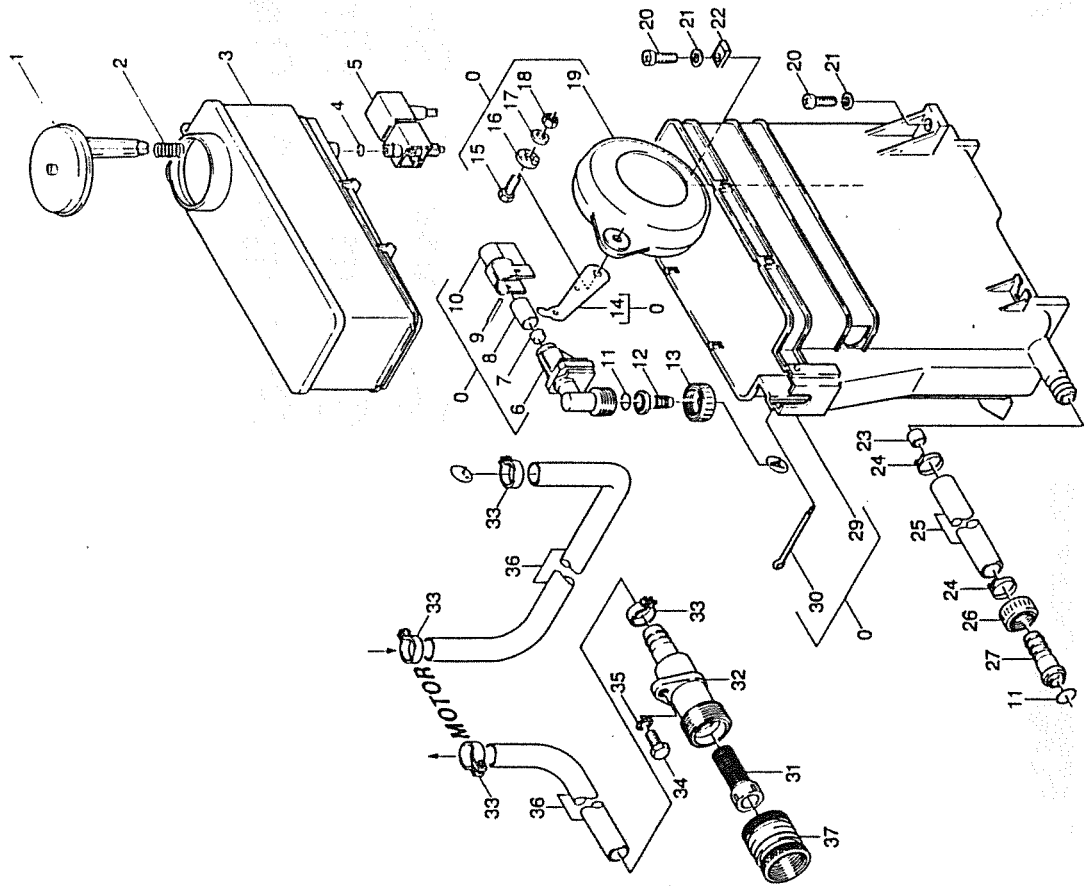
Groupe 8: Bac à flotteur

Gruppe 8: Schwimmerventil
 Group 8: Float Valve
 Groupe 8: Bac à flotteur

B 8

HDS 700 C

Pos.	Benennung Item Description Pos. Designation	Teile-Nr. Part-No. No. piece	Stück Qty. Mbr.
0	Schwimmerventil/ Float Chest Compl./ Coffr. du Flotte.co.	3.593-063.0	1
1	Deckel/ Cover/ Couvrcle	5.063-357.0	1
2	Schraubenfeder/ Coil Spring/ Ressort A Boudin	5.332-001.0	1
3	Behälter/ Receptacle/ Recipient	4.070-123.0	1
4	O-Ring 6x2 / O-Ring/ Joint Torique	6.362-113.0	1
5	Magnetventil/ Solenoid Valve/ Electrovanne	6.685-845.0	1
6	Ventilgehäuse/ Valve Box/ Boite A Soupape	5.587-134.0	1
7	Flachdichtung/ Flat Packing/ Garniture Plate	5.364-095.0	1
8	Ventilbolzen/ Valve Pin/ Axe de Soupape	5.584-026.0	1
9	Bolzen 3h11x25/ Pin/ Axe	7.316-004.0	1
10	Schutzteil/ Protection Piece/ Piece de Protection	5.394-066.0	1
11	O-Ring 13,3x2,4/ O-Ring/ Joint Torique	6.362-078.0	2
12	Schlauchmippel/ Hose Stem/ Raccord Pour Tuyau	5.443-224.0	1
13	Mutter R 3/4z/ Nut/ Ecroû	5.310-061.0	1
14	Hebel/ Lever/ Levier	5.481-029.0	1
15	6kt-Schraube M6x20/ Hex. Head Cap Screw/ Boulon A Six Pans	7.304-471.0	1
16	Scheibe/ Disk/ Disque	5.115-158.0	1
17	Scheibe A 6,4/ Disk/ Disque	7.312-279.0	1
18	6kt-Mutter M6/ Hexagon Nut/ Ecroû Hex.	7.311-422.0	1
19	Schwimmer/ Float/ Flotteur	5.585-014.0	1
20	Bl.schr. St 4,8x19/ Sheet Metal Screw/ Vis A Toile	6.303-099.0	2
21	Scheibe A 5,3/ Disk/ Disque	7.312-278.0	2
22	Schnappmutter 4,8/ Snap Nut/ Ecroû Encliquetable	6.310-028.0	1
23	Buchse/ Bush/ Douille	2-189.0	1

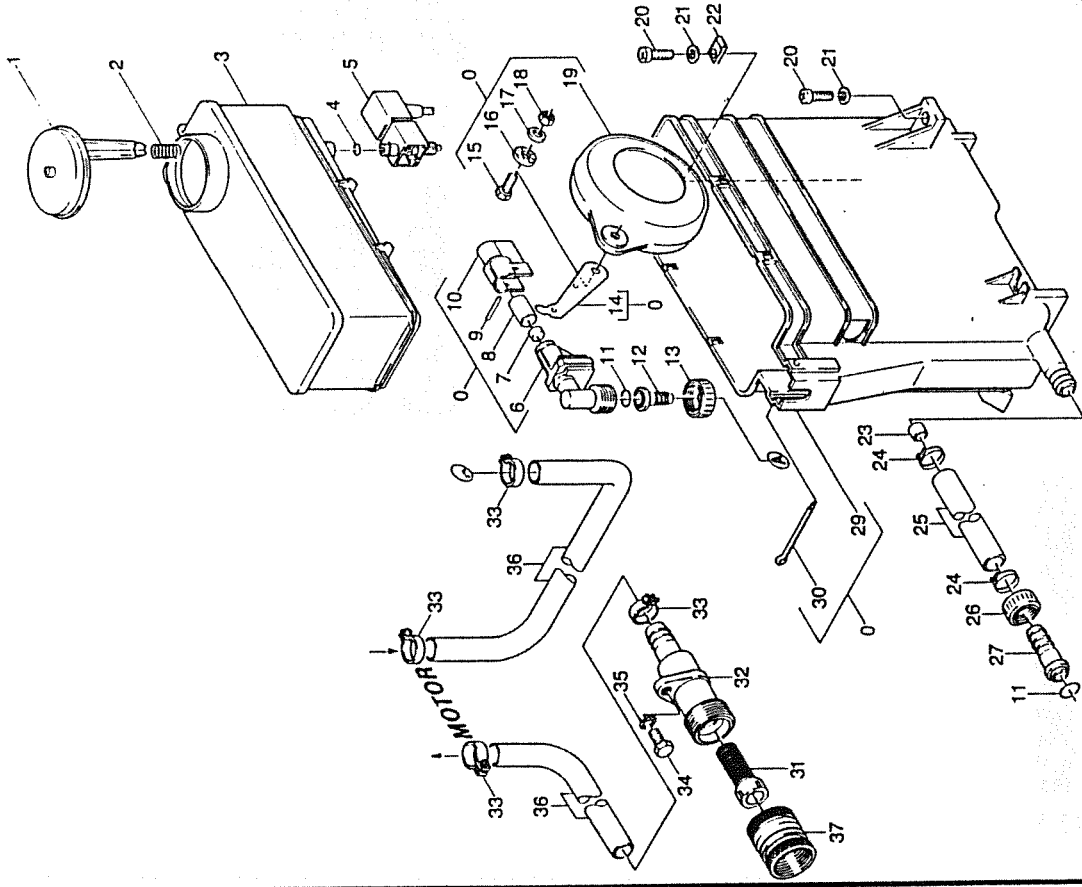


Gruppe 8: Schwimmerventil
 Group 8: Float Valve
 Groupe 8: Bac à flotteur

C 8

HDS 700 C

Pos. Item Pos.	Benennung Description Designation	Teile-Nr. Part-No. No. piece	Stück Qty. Nbr.
24	Kabelband 8-210/ Cable Tie/ Collier	6.641-474.0	2
25	Schlauch 19x40x0,2m/ Hp-Hose/ Tuyau Souple A Hp	6.388-775.0	1
26	Mutter/ Nut/ Ecroû	5.310-062.0	1
27	Schlauchnippel/ Hose Stem/ Raccord Pour Tuyau	5.443-312.0	1
29	Behälter/ Receptacle/ Recipient	5.070-099.0	1
30	Splint 4x50/ Split Pin/ Goupille	7.316-432.0	1
31	Sieb/ Strainer/ Passoir	6.414-282.0	1
32	Knotenstueck/ Strut Attach. Fitt./ Ferrure Nodale	5.427-127.0	1
33	Schl.schelle 16x25/ Hose Band Clip/ Collier de Serrage	6.388-547.0	2
34	6kt-Schr.M6x12 Z1/ Hex. Head Cap Screw/ Boulon A Six Pans	7.309-008.0	1
35	Zahnscheibe A 6,4/ Crown Gear/ Roue Plate	7.312-167.0	1
36	Schlauch Mw 16/ Flexible Tube/ Tuyau Flexible	6.388-719.0	1 m
37	Verschraubungsteil / Screw fitting / Raccord visse	6.386-463.0	1



1852-08.03.103



KÄRCHER

A 9

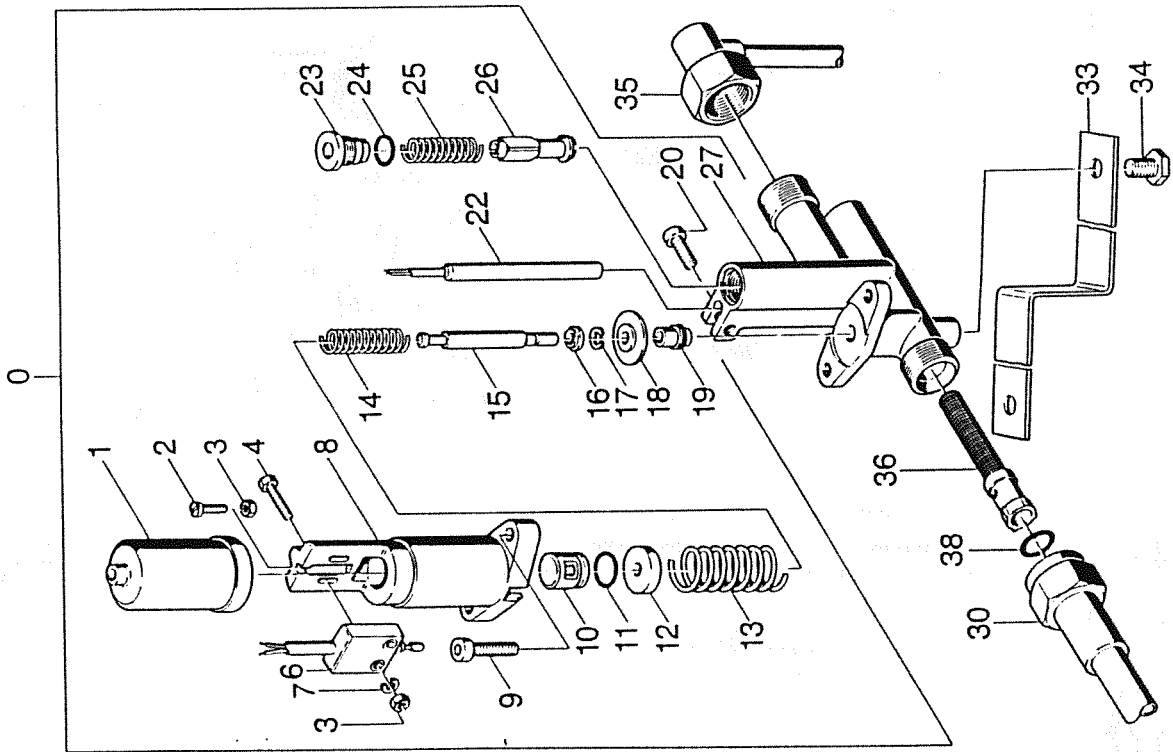
HDS 700 C

Gruppe 9: Sicherheitsblock
Group 9: Safety System
Groupe 9: Bloc de sécurité

Gruppe 9: Sicherheitsblock
 Group 9: Safety System
 Groupe 9: Bloc de sécurité

B 9

HDS 700 C



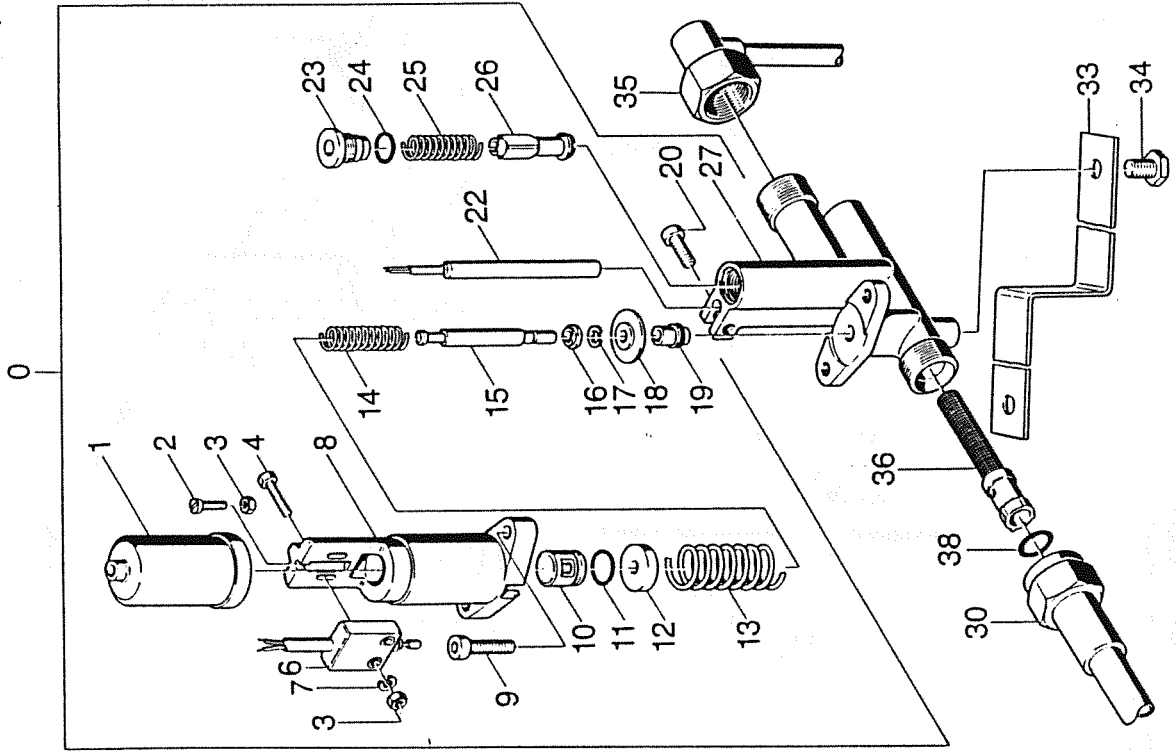
Pos.	Benennung Item Description Pos. Designation	Teile-Nr. Part-No. No. piece	Stück Qty. Nbr.
0	Sicherheitsblock/ Safety System/ Bloc de Securite	4.749-087.0	1
1	Schutzteil/ Protection Piece/ Piece de Protection	5.394-060.0	1
2	Zyl.-Schraube M3x16/ Cheese Head Screw/ Vis A Tete Cylindr.	7.306-406.0	1
3	6kt-Mutter M 3/ Hexagon Nut/ Ecrou Hex.	7.311-000.0	3
4	6kt-Schraube M3x20/ Hex. Head Cap Screw/ Boulon A Six Pans	7.304-352.0	2
6	Schalter/ Switch/ Interrupteur	6.631-125.0	1
7	Federring b 3/ Spring Washer/ Rondelle Grower	7.313-000.0	2
8	Gehäuse/ Housing/ Boitier	5.060-099.0	1
9	Zyl.-Schr.is. M 6x25/ Cheese Head Screw/ Vis A Tete Cylindr.	7.306-023.0	2
10	Kolben/ Piston/ Piston	5.553-046.0	1
11	O-Ring 12,0-2,0/ O-Ring/ Joint Torique	6.362-169.0	1
12	Buchse/ Bush/ Boite	5.112-186.0	1
13	Schraubenfeder/ Coil Spring/ Ressort A Boudin	5.332-069.0	1
14	Schraubenfeder/ Coil Spring/ Ressort A Boudin	5.332-070.0	1
15	Stange/ Rod/ Perche	5.107-023.0	1
16	Buchse/ Bush/ Douille	5.112-094.0	1
17	Sicherg-Scheibe 4/ Lock Washer/ Rondelle D'arret	7.343-203.0	1
18	Scheibe/ Disk/ Disque	5.115-147.0	1
19	Kolben/ Piston/ Piston	4.553-025.0	1
20	Linsenschr.M5x16/ Oval Head Screw/ Vis A Tete Bombee	7.306-308.0	1
22	Ersatz-Reedschalter/ Subst.-Reed Switch/ REMPL.- Contact.reed	2.880-194.0	1
23	Formschraube/ Special Screw/ Vis de Forme	5.305-162.0	1
24	O-Ring/ O-Ring/ Joint Torique	6.362-482.0	1

1852-09.02.103

Gruppe 9: Sicherheitsblock
 Group 9: Safety System
 Groupe 9: Bloc de sécurité

C 9

HDS 700 C



Pos. Item	Benennung Description	Teile-Nr. Part-No. No. piece	Stück Qty. Nbr.
25	Schraubenfeder/ Coil Spring/ Ressort A Boudin	5.332-057.0	1
26	Kolben/ Piston/ Piston	4.553-022.0	1
27	Gehäuse/ Housing/ Boîtier	5.060-303.0	1
30	Hd-Schlauch Mw 8/ Hp Hose, nom. dia. 8/ Flexible Hp Dn 8	6.388-910.0	1
33	Halter/ Support Right/ Appui Droite	5.042-468.0	1
34	6kt-Schraube M8x12/ Hex. Head Cap Screw/ Boulon A Six Pans	7.304-394.0	1
35	Rohrleitung/ Tube/ Conduite	4.421-064.0	1
36	Sieb/ Filter/ Crepine	6.414-327.0	1
38	O-Ring Set (5) / O-Ring Set (5)/ Kits Joints (5)	2.880-296.0	1

1-52-702-13



A Österreich Österreich Austria
Alfred Kärcher Ges.m.b.H. ☎ 222/251545
Obachgasse 26 Tx. 132969
A-1220 Wien 22 Fax: 222/
25154530

AUS Australien Australien Australia
Kärcher (Pty.) Ltd. ☎ 03/
2/158 Browns Road Tx. 7954422
Noble Park 3174 Melbourne, Vict. Fax: 03/7010001

L Luxemburg Luxembourg

B Belgien België Belgium
Kärcher N. V. ☎ 3/143361
Industrieweg 18 Tx. 71585
B-2320 Hoogstraten Fax: 3/146443

BR Brasilien Brésil Brazil

Kärcher
Indústria e Comércio Ltd. ☎ 192/391515
Caixa Postal 6630 Tx. 038/197520
13082 Campinas - SP Fax: 192/392110

CDN Kanada Canada Canada

Kärcher Cleaning Systems Inc. ☎ (416)
1770 Alstep Drive Tx. 672-8233
Mississauga, Ontario Fax: (416)
L5S 1W1 672-3155

CH Schweiz Suisse Switzerland

Kärcher Vaporapid AG ☎ 1/8441228
Industriestr. 16 Tx. 827116
8108 Dällikon Fax: 1/8441525

D Bundesrepublik Deutschland RFA
Federal Republic of Germany

Stammhaus: ☎ (07195) 14-0
Alfred Kärcher GmbH & Co. Tx. 07-24432
Alfred-Kärcher-Str. 28-40 Fax: (07195) 14212
Postfach 160
D-7057 WINNENDEN

DK Dänemark Danemark Denmark

Kärcher AS ☎ 65/916767
Bestehaven 21 Tx. 54289
5260 Odense S Fax: 65/911104

E Spanien L'Espagne Spain

Kärcher S.A. ☎ 3/8464447
Pol. Industrial Font del Radium Tx. 97683
Calle Doctor Trueta 6-7 Fax: 3/8465505
08400 Granollers (Barcelona)

F Frankreich France Francia

Kärcher S.A. ☎ 1/
Z.A. des Petits Carreaux Tx. 43996770
5, avenue des Coquelicots Tx. 264285
94865 Bonneuil/Seine-Marne Cedex Fax: 1/43394873

GB Großbritannien Grande-Bretagne
Great Britain

Kärcher (U.K.) Limited ☎ 295/
Kärcher House Tx. 267511
Beaumont Road Fax: 295/266436
Banbury Oxon, OX 16 7TB

I Italien Italie Italy

Kärcher S.p.A. ☎ 332/
Via Elvezia 4 Tx. 417400
21050 Cantello (VA) + 417419
Tx. 316132
Fax: 332/418350

J Japan Japan Le Japon

Kärcher Cleaning Systems Co., Ltd. ☎ 3/
9-21, Shin Ogawa-cho Tx. 235-8331
Shinjuku-ku, Tokyo 162 Fax: 3/235-8307

N Norwegen Norge Norway

Kärcher AS ☎ 2/
P. O. Box 7 Tx. 253480
Veitvel Tx. 72719
0518 Oslo 5 Fax: 2/259548

NL Niederlande Pay-Bas Netherlands

Kärcher B.V. ☎ (0031)
Hermelijnweg 20 Tx. 1608-87400
4877 AE Etten-Leur Tx. 74267

S Schweden Suède Sweden

Kärcher AB ☎ 31/
Tagenevägen 31, Box 24 Tx. 570380
42502 Hisings-Kärna Fax: 31/575149

SF Finnland Finlande Finland Suomi

Kärcher Oy ☎ 0/8799177
Yrittäjänitie 17 Tx. 1001007
PL 65 (Postfach) Fax: 0/8794203
01800 Klaukkala

USA USA Les Etats-Unis d'Amérique

Alfred Kärcher Inc. ☎ 201/
P. O. Box 778 Tx. 8900444
Browtown Road and Fax: 201/8900534
Andrews Drive
West Paterson, N. J. 07424

ZA Südafrika Afrique du Sud
South Africa

Kärcher (Pty) Ltd. ☎ 11/
P. O. Box 2417 Tx. 9763100
Kempson Park 1620 Fax: 741714
Tx. 11/
9762244