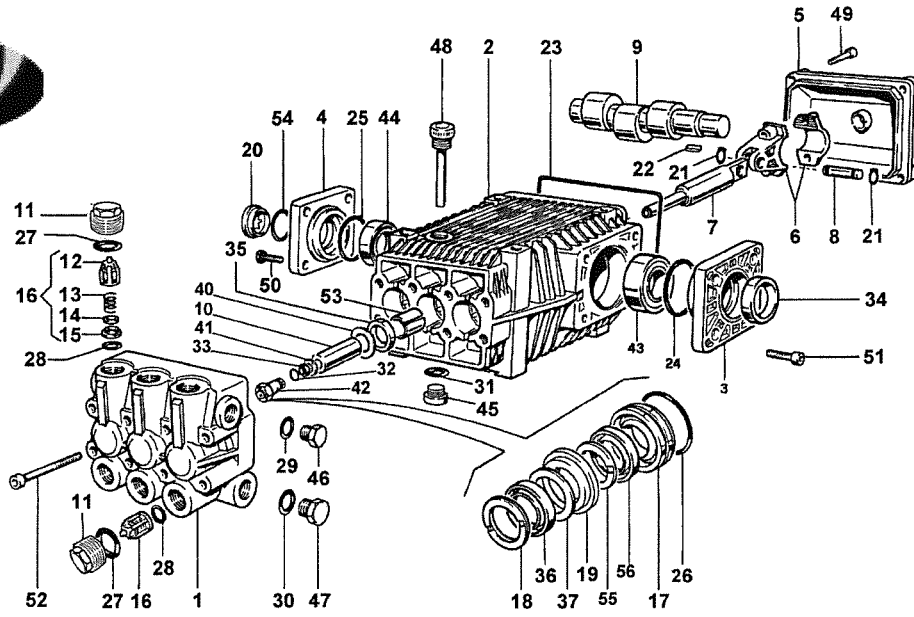


Legacy Model TT 3540-3555



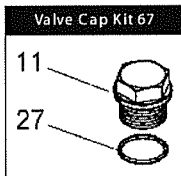
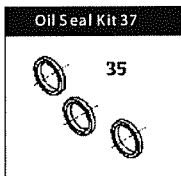
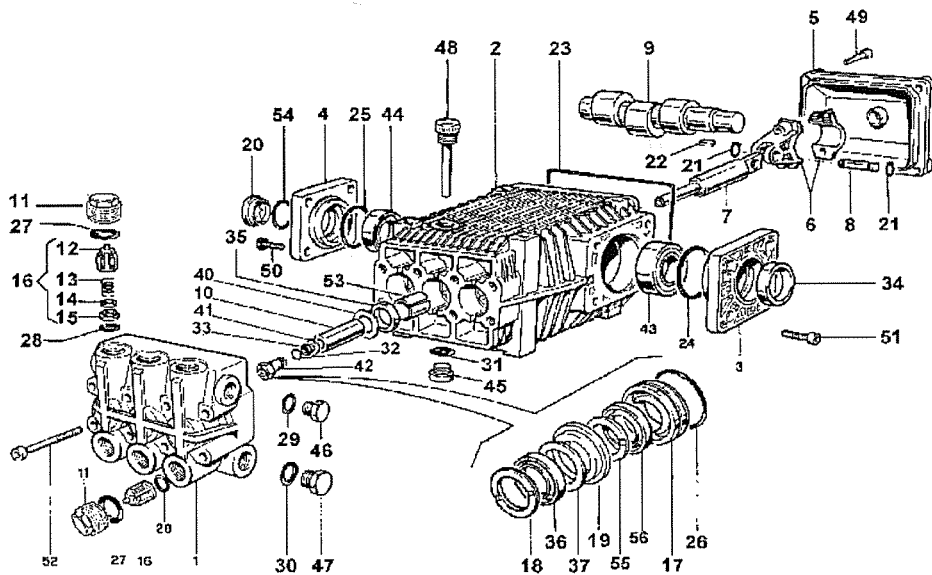
POS NO.	PART NO.	DESCRIPTION	KIT	NO. PCS.
1	15-060083282	Pump Head, Plated		1
2	15-060090092	Pump Crankcase		1
3	15-060093092	Bearing Cover D.72		1
4	15-060092092	Bearing Cover D.80		1
5	15-060003092	Crankcase Cover		1
6	15-069800972	Connecting Rod		3
7	15-060071512	Plunger Rod		3
8	15-060007492	Piston Pin Dia. 15 MM		3
9/1	15-060107262	Crankshaft E=5.87		1
9/2	15-060109262	Crankshaft E=8		1
10	15-060009182	Ceramic Piston Dia. 20MM		8
11	15-070040532	Ex. Deep Sealing Valve Cap M27x1.5		1
12	15-060105322	Valve Cage	123	3
13	15-940054512	Valve Spring	123	6
14	15-060104512	Poppet	123	6
15	15-060110512	Valve Seat	123	6
16	15-069846973	Check Valves	123	6
17	15-060036532	Back Gland Dia. 20MM	86	6
18	15-802065302	Thrust Ring Dia. 20	86, 89	6
19	15-060076532	Intermediate Ring	86	3
20	15-060059322	Self Locking Oil Sight Glass		3
21	15-801099002	Circlip Dia. 15		3
22	15-806534002	Tab 8 x 7 x 35		1
23	15-803210902	O-Ring Dia. 2.62 x 152		6
24	15-803080702	O-Ring D.1.78 x 69.57		1
25	15-803081702	O-Ring		1
26	15-803080102	O-Ring Dia 1.78 x 34.65	86, 89	3
27	15-803182002	O-Ring Dia. 2.62 x 17.13		6

POS NO.	PART NO.	DESCRIPTION	KIT	NO. PCS.
28	15-803182002	O-Ring Dia. 2.62 x 17.13	123	6
29	15-824109002	Copper Gasket Dia. 17 x 22 x 1		1
30	15-824180002	Gasket Dia. 27 x 36 x 1		1
31	15-803204002	O-Ring Dia. 2.62 x 23.81		1
32	15-803058002	O-Ring Dia. 1.78 x 10.82		3
33	15-803902002	BKC Long Life Ring		3
34	15-802143002	Oil Seal		1
35	15-802090002	Oil Seal Dia. 17	37	3
36	15-802065102	Super "U" Packing Dia.20 x 30DD	86, 89	3
37	15-060086322	Anti-Extrusion Ring	86, 89	3
40	15-060018682	Washer Dia. 14 x 38 x 0.5		3
41	15-843646002	Washer		3
42	15-060072002	Piston Bolt		3
43	15-812848002	Str. Roller Bearing Dia. 35x72x17 CO		1
44	15-812867002	Bearing		1
45	15-852687002	Galvanized Cap TCCE 3/4 DIN 908		1
46	15-852579002	Plug G 3/8		1
47	15-852693002	Cap G3/4x20		1
48	15-060020322	Filler Plug with Dip Stick		1
49	15-862108002	Screw M6x16 UNI 5931		4
50	15-863265002	Screw M10x25		4
51	15-862562002	Screw M 8x20		4
52	15-862985002	Screw TCEI M8 x 70 UNI 5931		8
53	15-804300002	Self-Lubricating Bushing		3
54	15-803265002	O-Ring Dia.3.53 x 46.01		1
55	15-380392322	Thrust Ring Dia. 20 x 30	86, 89	3
56	15-802064002	High Pressure Seal Dia. 20 x 30	86, 89	3

	KIT 123 CHECK VALVE/O-RING	KIT 37 PLUNGER OIL SEAL	KIT 86 PACKING/ BRASS ASSY	KIT 89 PACKING ONLY
KIT BREAKDOWN				
PART #	15-069867973	15-069814973	15-069836973	15-069839973
TOTAL PCS.	12	3	24	18



- TTV-3540 (105950)
- TTV-3548 (105952)
- TTV-3555 (105954)
- TTV-3563 (105956)



POS	VENDOR #	SM #	DESCRIPTION	#	PCS
1	060083282		Pump Head	1	1
2	060001092	107831	Crankcase	1	1
3	060016092	107824	Bearing Cover	1	1
4	060017092	107825	Bearing Cover	1	1
5	060003092	107827	Crankcase Cover	1	1
6	069800972	107896	Connecting Rod	3	3
6	862796002	108902	Connecting Rod Screw	6	3
7	060071512		Plunger Rod	3	3
8	060007492	107887	Piston Pin	3	3
9/1	060107262		Crankshaft (3540)	1	1
9/2	060108262		Crankshaft (3548)	1	1
9/3	060109262		Crankshaft (3555, 3563)	1	1
10	060009182	104803	Ceramic Piston	3	3
11-Kit 67	070040532	108177	Ex. Deep Sealing Valve Cap	6	6
12-Kit 123	060105322	AKO	Valve Cage	6	6
13-Kit 123	070048512	AKO	Valve Spring	6	6
14-Kit 123	060104512	AKO	Poppet	6	6
15-Kit 123	060110512	AKO	Valve Seat	6	6
16-Kit 123	069846973	AKO	Check Valves	3	3
17-Kit 86	060036532	AKO	Back Gland	3	3
18-Kit 86/89	802065302	AKO	Thrust Ring	3	3
19-Kit 86	060076532	AKO	Intermediate Ring	3	3
20-Kit 127	060059322	107899	Self Locking Oil Sight Glass	1	1
21	801099002	107823	Clip, Wrist Pin	6	6
22	806534002	107539	Key, Rounded	1	1
23-Kit 127	803210902	107882	O-Ring	1	1
24-Kit 127	803210552	AKO	O-Ring	1	1
25-Kit 127	803210642	107607	O-Ring	1	1
26-Kit 86/89	803080102	107868	O-Ring	3	3
27-Kit 67	803182002	107594	O-Ring	6	6

POS	VENDOR #	SM #	DESCRIPTION	#	PCS
28-Kit 123	803182002	107594	O-Ring	6	6
29	824109002	108490	Copper Gasket	1	1
30	824180002	107902	Washer, 3/4" Plug	1	1
31-Kit 127	803204002	107877	O-Ring	1	1
32	803058002	107864	O-Ring	3	3
33	803902002		Back Long Life Ring	3	3
34-Kit 127	802143002	107692	Oil Seal	1	1
35-Kit 37/127	802090002	107898	Oil Seal	3	3
36-Kit 86/89	802065102	107884	Super U-Packing	3	3
37-Kit 86/89	060086322	107842	Anti-Extrusion Ring	3	3
40	060018682	107895	Splash Ring	3	3
41	843646002		Washer	3	3
42	060072002		Piston Bolt	3	3
43	812848002	107809	Str. Roller Bearing	1	1
44	812867002	107806	Ball Bearing	1	1
45	852687002	107889	Plug, 3/4" Allen Drain	1	1
46	852579002	108732	Plug 3/8"	1	1
47	852693002	107182	Plug, Head	1	1
48	060020322	107841	Dipstick	1	1
49	862108002	107816	Screw	4	4
50	863265002	108959	Screw, Main Gear Cover	4	4
51	862562002	107818	Screw	4	4
52	862985002		Screw	8	8
53	804300002	107821	Self-Lubricating Bushing	3	3
54-Kit 127	803265002	107883	O-Ring	1	1
55-Kit 86/89	380392322		Thrust Ring	3	3
56-Kit 86/89	802064002		High Pressure Seal	3	3
Kit 37	069814973	106837	Oil Seal Kit 37	3	3
Kit 67	049839973	106867	Valve Cap/O-Ring Kit 67	12	12
Kit 86	069836973	106886	Packing w/Brass Kit 86	24	24
Kit 89	069839973	106889	Packing Only Kit 98	18	18
Kit 123	069867973	106923	Check Valves Kit 123	12	12
Kit 127	069872973	106927	Accessory Seal Kit 127	10	10

