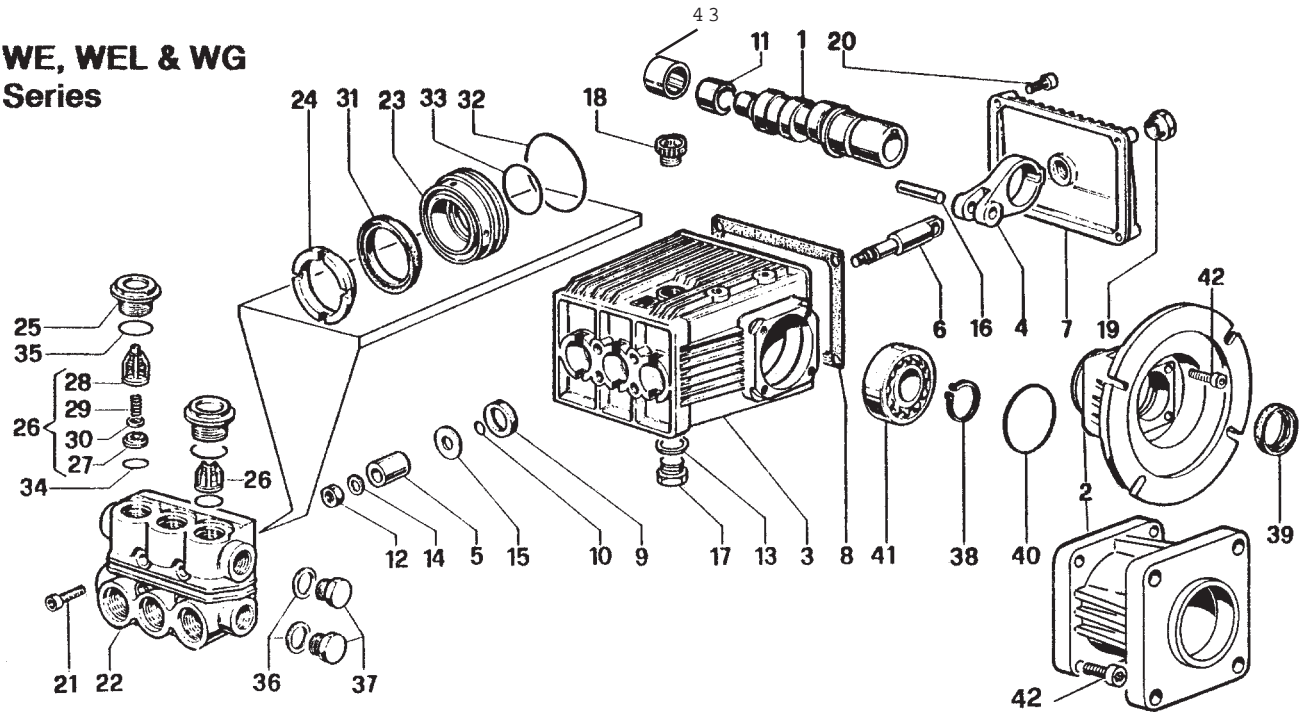


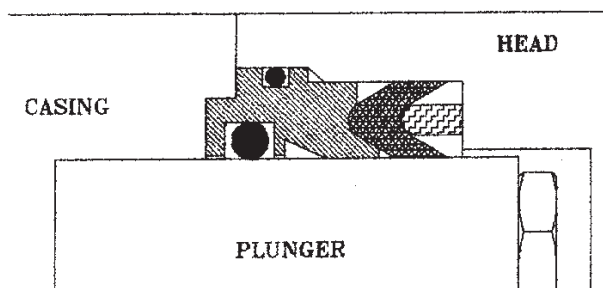
**WE, WEL & WG Series**



POS. NO.	PART NO.	DESCRIPTION	NO. PCS.	POS. NO.	PART NO.	DESCRIPTION	NO. PCS.	POS. NO.	PART NO.	DESCRIPTION	NO. PCS.
1		<b>WE Crankshafts</b>		5	108752	CERAMIC PLUNGER (18MM, WEL)	3	24		<b>MALE ADAPTER RINGS</b>	
	108424	WE-1520 (2.5)	1	6	108776	PLUNGER ROD (WE1500, WG1500)	3		AKO*	WE, WG (15MM)	3
	108428	WE-1528 (3.5)	1	6	108777	PLUNGER ROD (WE1900, WG1900, WEL)	3		AKO*	WEL (18MM)	3
	108426	WE-1532 (4.0)	1	7	108302	COVER, REAR CRANKCASE	1	25	108308	VALVE CAP, BRASS	6
	108425	WE-1920 (2.5)	1	8	108492	GASKET, REAR COVER	1	26	AKO*	CHECK VALVE ASSEMBLY	6
	108429	WE-1928 (3.5)	1	9	AKO *	SEAL, PLUNGER, OIL	3	31		<b>PREMIUM V-PACKING SEALS</b>	
	108427	WE-1932 (4.0)	1	10	ORN009	O-RING	3		AKO*	WE, WG (15MM)	3
1		<b>WEL Crankshafts</b>		11	108083	BUSHING (WG-2230 ONLY)	1		AKO*	WEL (18MM)	3
	108429	WEL-1522 (3.5)	1	11	108082	BEARING, NEEDLE	1	32	AKO*	O-RING	3
	108427	WEL-1525 (4.0)	1	12	108572	NUT, STAINLESS	3	33		<b>O-RINGS, NB70</b>	
	108436	WEL-1531 (5.0)	1	13	108490	GASKET, COPPER	1		AKO*	WE, WG (113S)	3
	108437	WEL-1541 (6.5)	1	14	108900	WASHER	3		AKO*	WEL (115S)	3
1		<b>WG Crankshafts</b>		15	108830	SPLASH RING	3	34	AKO*	O-RING	6
	108430	WG-1520 (2.5)	1	16	108722	PIN, CONNECTING ROD WRIST	3	35	ORN116S	O-RING	6
	108434	WG-1528 (3.5)	1	17	108732	PLUG	1	36	108490	GASKSET	2
	108432	WG-1532 (4.0)	1	18	108460	DIPSTICK, VENTED	1	37	108732	PLUG	2
	108431	WG-1920 (2.5)	1	19	108820	SIGHTGLASS, OIL (W/GASKET)	1	38	108766	SNAP RING	1
	108433	WG-1928 (3.5)	1	20	108170	BOLT, REAR COVER	4	39	108794	SEAL, CRANKSHAFT OIL	1
	108435	WG-1932 (4.0)	1	21	108166	BOLT, PUMP HEAD	4	40	ORN140	O-RING	1
2	108477	FLANGE, ELECT. 56C (WE, WEL)	1	22		<b>FORGED BRASS PUMP HEADS</b>		41	108078	BEARING, BALL	1
2	108478	FLANGE, GAS SAE 5HP (WG)			108523	WE, WG (16MM CYLINDER)	1	42	108170	BOLT, FLANGE	4
3	108351	CRANKCASE, PUMP (WG-2230 ONLY)	1		108522	WEL (20MM CYLINDER)	1	43	108171	BEARING (WG-2230 ONLY)	1
3	108350	CRANKCASE	1	23		<b>BRASS PACKING GLAND (ONE PIECE)</b>		*	AKO	AVAILABLE IN KIT ONLY	
4	108772	CONNECTING ROD	3		AKO*	WE, WG (15MM)	3				
5	108750	CERAMIC PLUNGER (15MM, WE, WG)	3		AKO*	WEL (18MM)	3				

**Repair Kits**

Kit No.	AP1	AP4	AP6	AP7	AP8	AP9	AP10	AP11	AP12	AP13
Description	Check Valve Assembly	OilSeals	Male Adaptor Kit (15mm)	Male Adaptor Kit (18mm)	WaterSeal 15mm	WaterSeal 18mm	Brass Gland 15mm	Brass Gland 18mm	Complete 15mm	Complete 18mm
Position #	26,34	9	24	24	31,32,33	31,32,33	23	23	23,24,31,32,33	23,24,31,32,33
Included Assemblies	6	3	3	3	3	3	3	3	1	1



- 24 MALE ADAPTER**
- 31 PREMIUM V PACKING**
- 33 INSIDE O-RING**
- 23 BRASS PACKING GLAND**
- 32 OUTSIDE O-RING**